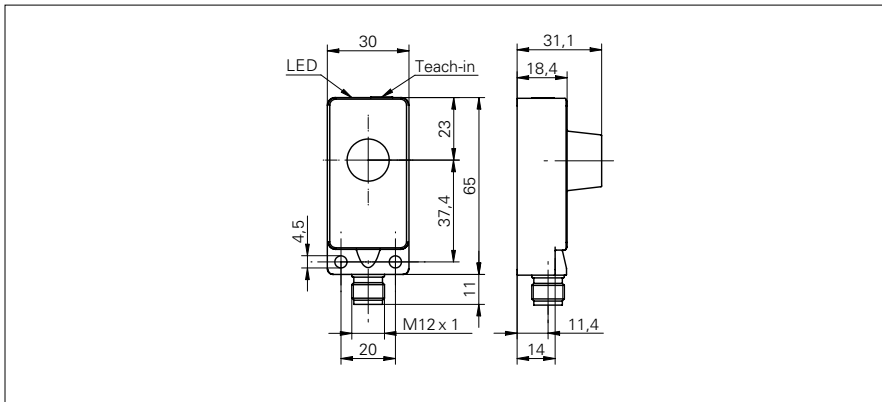


# Ultrasonic distance measuring sensors

## UNDK 30I6112/S14

### dimension drawing



### general data

|                                |                                |
|--------------------------------|--------------------------------|
| scanning range sd              | 60 ... 400 mm                  |
| scanning range close limit Sdc | 60 ... 400 mm                  |
| scanning range far limit Sde   | 60 ... 400 mm                  |
| repeat accuracy                | < 0,5 mm                       |
| resolution                     | < 0,3 mm                       |
| response time ton              | < 60 ms                        |
| release time toff              | < 60 ms                        |
| temperature drift              | < 2 % of distance to target So |
| sonic frequency                | 400 kHz                        |
| adjustment                     | Teach-in                       |
| alignment aid                  | target indication flashing     |
| light indicator                | yellow LED / red LED           |

### electrical data

|                                    |                           |
|------------------------------------|---------------------------|
| voltage supply range +Vs           | 15 ... 30 VDC             |
| current consumption max. (no load) | 55 mA                     |
| output circuit                     | current output            |
| output signal                      | 4 ... 20 mA / 20 ... 4 mA |
| output current                     | < 20 mA                   |
| load resistance +Vs max.           | < 1100 Ohm                |
| load resistance +Vs min.           | < 400 Ohm                 |
| residual ripple                    | < 10 % Vs                 |
| short circuit protection           | yes                       |
| reverse polarity protection        | yes                       |

### mechanical data

|                  |                           |
|------------------|---------------------------|
| type             | rectangular               |
| housing material | polyester / die-cast zinc |
| width / diameter | 30 mm                     |
| height / length  | 65 mm                     |
| depth            | 31 mm                     |
| connection types | connector M12             |

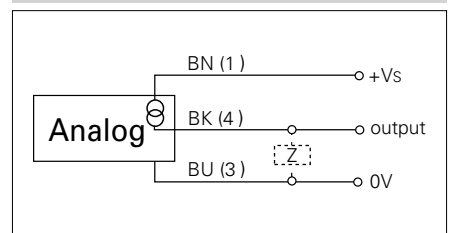
### ambient conditions

|                       |                |
|-----------------------|----------------|
| operating temperature | -10 ... +60 °C |
| protection class      | IP 67          |

### photo



### connection diagram



- Analog current output 4-20 mA