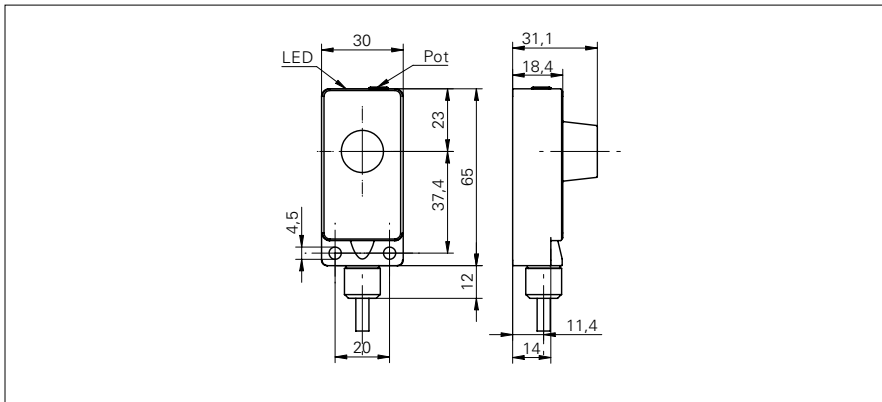


Ultrasonic proximity sensors

UNDK 30N1703

dimension drawing



general data

| | |
|------------------------------|----------------------------|
| scanning range sd | 100 ... 1000 mm |
| scanning range far limit Sde | 100 ... 1000 mm |
| hysteresis typ. | 4 % Sde |
| repeat accuracy | < 0,5 mm |
| synchronization | yes |
| multiplex version | on request |
| temperature drift | < 0,1 % Sde/K |
| response time ton (sync on) | < 50 ms |
| release time toff (sync on) | < 50 ms |
| sonic frequency | 240 kHz |
| adjustment | potentiometer |
| alignment aid | target indication flashing |
| output indicator | LED green |

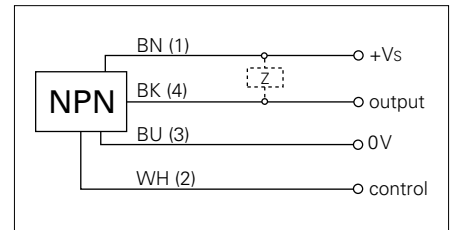
photo



electrical data

| | |
|------------------------------------|------------------------|
| voltage supply range +Vs | 12 ... 30 VDC |
| current consumption max. (no load) | 35 mA |
| output circuit | NPN make function (NO) |
| output current | < 200 mA |
| voltage drop Vd | < 2 VDC |
| residual ripple | < 10 % Vs |
| short circuit protection | yes |
| reverse polarity protection | yes |

connection diagram



mechanical data

| | |
|------------------|---------------------------|
| type | rectangular |
| housing material | polyester / die-cast zinc |
| width / diameter | 30 mm |
| height / length | 65 mm |
| depth | 31 mm |
| connection types | cable, 2 m |

ambient conditions

| | |
|-----------------------|----------------|
| operating temperature | -10 ... +60 °C |
| protection class | IP 67 |



• with synchronization output