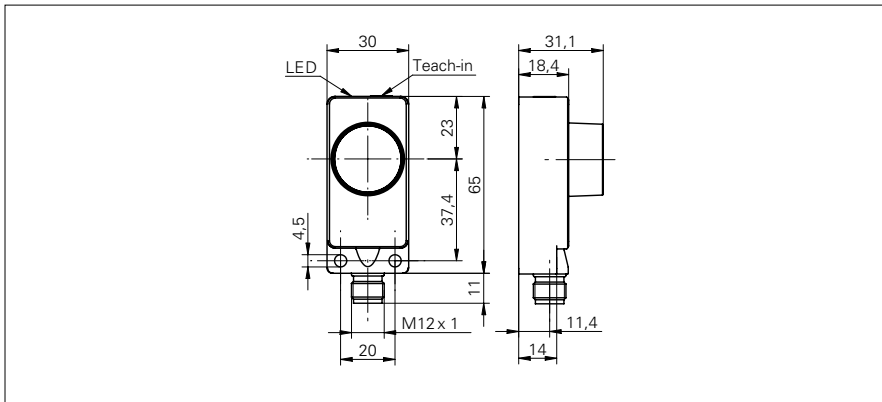


**Ultrasonic retro-reflective sensors**

**URDK 30P6104/S14**

**dimension drawing**



**general data**

scanning range sd	0 ... 2000 mm
reflector position Sde	400 ... 2000 mm
adjusting range reflector (operating range)	± 4 % Sde
adjusting range reflector (limit range)	± 6 % Sde
repeat accuracy	< 3 mm
temperature drift	< 2 % Sde
response time ton	< 80 ms
release time toff	< 80 ms
sonic frequency	200 kHz
adjustment	Teach-in
alignment aid	target indication flashing
output indicator	LED green

**electrical data**

voltage supply range +Vs	12 ... 30 VDC
current consumption max. (no load)	35 mA
output circuit	PNP make function (NO)
output current	< 200 mA
voltage drop Vd	< 2 VDC
residual ripple	< 10 % Vs
short circuit protection	yes
reverse polarity protection	yes

**mechanical data**

type	rectangular
housing material	polyester / die-cast zinc
width / diameter	30 mm
height / length	65 mm
depth	31 mm
connection types	connector M12

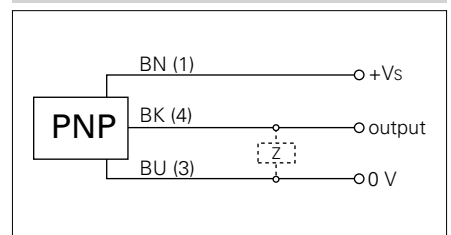
**ambient conditions**

operating temperature	-10 ... +60 °C
protection class	IP 67

**photo**



**connection diagram**



- detects sound absorbing objects
- no blind spot area for objects > 30 mm