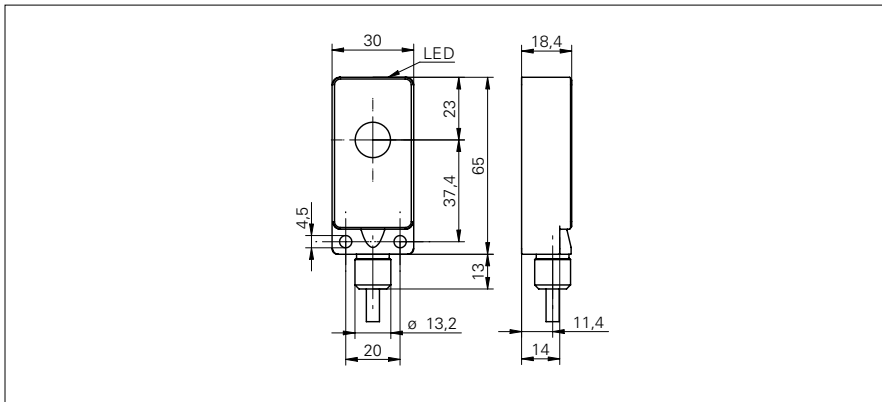


# Ultrasonic through beam sensors

**USDK 30D9003**

**dimension drawing**



**general data**

emitter / receiver	emitter
scanning range sd	0 ... 700 mm
scanning range far limit Sde	0 ... 700 mm
sonic frequency	220 kHz
alignment aid	target indication flashing
power on indication	LED yellow

**electrical data**

voltage supply range +Vs	12 ... 30 VDC
current consumption max. (no load)	22 mA
residual ripple	< 10 % Vs
reverse polarity protection	yes

**mechanical data**

type	rectangular
housing material	polyester / die-cast zinc
width / diameter	30 mm
height / length	65 mm
depth	18,5 mm
connection types	cable, 2 m

**ambient conditions**

operating temperature	0 ... +60 °C
protection class	IP 67

**photo**



**connection diagram**

