

Cavity Pressure Sensor

2000 bar

DPPC DS02.5

Features

- For direct measuring
- Measuring range 0...2000 bar
- Connector thread M4 x 0,35
- Sensor diameter 2,5 mm



Technical Data

Method	Piezo electric; quartz
Range	0...2000 bar
Overload	2500 bar
Nom. sensitivity	-2,0 pC/bar
Linearity	< 1% FS
Natural frequency	> 80 kHz
Insulation resistance at 20°C	> 10 ¹² Ω
Insulation resistance at 200 °C	> 10 ¹¹ Ω

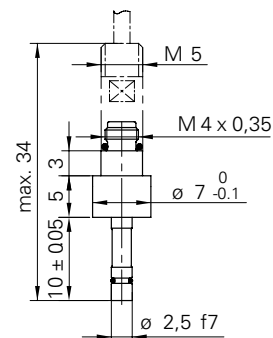
Mechanical Data

Connector thread	M4 x 0,35
Material enclosure	Stainless steel

Environmental Conditions

Operating temp. range	0...+200 °C
Storage temperature	-40...+200 °C
Melt temperature (at sensor front side)	< +400 °C
Protection incl. connector	IP 65

Dimensions (mm)



Delivery Contents

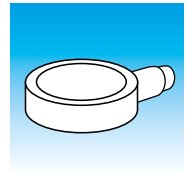
- Special nut DZPC MN04
- Calibration sheet

Order Code

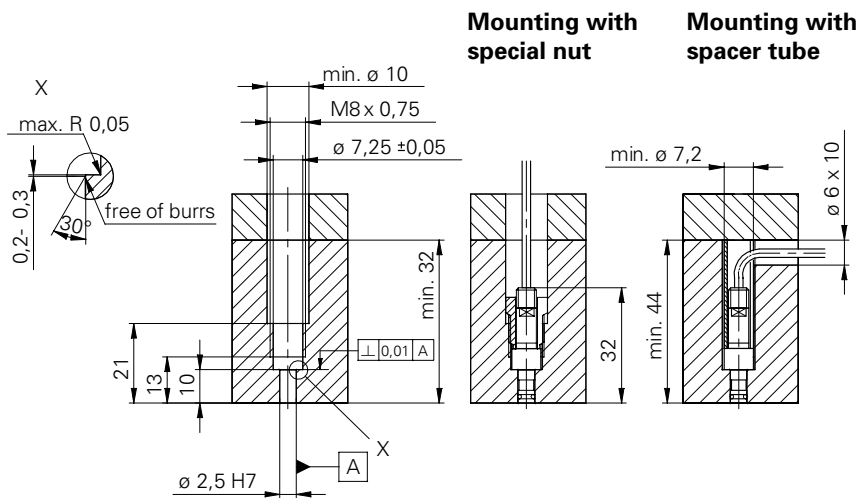
DPPC DS02.5-2.0/□□

Option

TP = Turning protection



Mounting Dimensions



Accessories

Sensor Cable

DZCC xxxx-ST-MF
 DZCC xxxx-HT-MF

Mounting Accessories

DZPC MN04
 DZPC MWPT
 DZPC MT04

Description

Special nut
 Mounting wrench
 Spacer tube