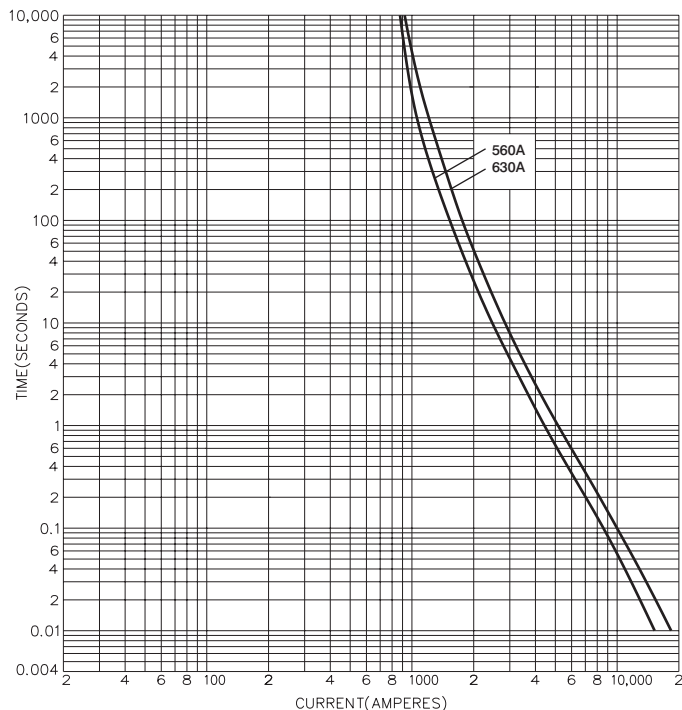


**BS88:5 'J'- Type Feeder Pillar Fuse Link**  
**415 Volts 560A and 630A ac**

**SJ31-6**

**Time-Current Characteristic Curves**



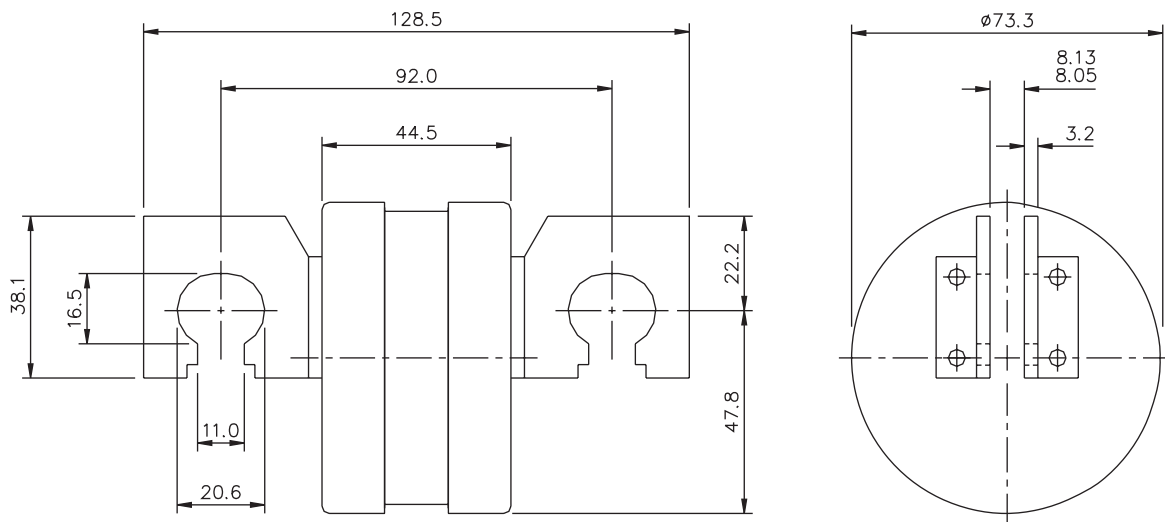
**Description.**

Feeder Pillar fuse Links are designed to meet the exacting requirements of the Electricity Supply Industry and are ASTA Certified to BS88:5. The ordering codes are given in the table below.

Catalog Number	I <sup>2</sup> t (Amp <sup>2</sup> Seconds)			Nom. Watts Loss	Rated Voltage ac
	Amp Ratings	Pre-Arcing	Total at 415V		
560SJ31	560	2,300,000	5,300,000	38	415V
630SJ31	630	3,250,000	7,450,000	41	

Packaging - 10 per carton

**Dimensional Data**



This bulletin is intended to clearly present comprehensive product data and provide technical information that will help the end user with design applications. Bussmann reserves the right, without notice, to change design or construction of any products and to discontinue or limit distribution of any products. Bussmann also reserves the right to change or update, without notice, any technical information contained in this bulletin. Once a product has been selected, it should be tested by the user in all possible applications.



**Bussmann Division**  
**Cooper (U.K.) Ltd**  
 Burton-on-the-Wolds  
 Leicestershire, LE12 5TH  
 United Kingdom  
 Tel: (44) (0)1509 88 27 37  
 Fax: (44) (0)1509 88 27 86

Head Office  
 St. Louis, MO, U.S.A. Tel: (314) 527-3877 Fax: (800) 544-2570 International Fax: (314) 527-1445



Bussmann Information Fax (00 1) 314 527 1450