

# Bussmann series

## MJ31 and Arc limiter J 'Type' feeder pillar fuse links



### Product description

Eaton's Bussmann series range of MJ31 'J' Type feeder pillar fuse links are designed to be used with wedge type fuse carriers on BS applications. These fuse links will be used by Electrical Authorities in distribution pillars, open type substation boards, heavy duty cut-outs and underground connection boxes. They can also be fitted in pole or wall mounted outdoor service fuse links.

### Features MJ31

- BS88-5
- gU Characteristics
- Ideal for Utility applications
- Excellent cable protection

### Also available Eaton's Bussmann series Arc limiter fuse links

- Same dimensions as MJ31
- Ultra high speed operation
- Maximum arc flash reduction
- Used in place of MJ fuse for safe working on live systems
- Not suitable for low overload fault protection

**EATON***Powering Business Worldwide*

**Catalogue symbol for MJ31:**

- 20 to 63 A: (amp)MJ31-8
- 63 to 315 A: (amp)MJ31-7

**Technical data for MJ31:**

- Rated voltage: 415 V a.c.
- Rated current: 20 to 315 A
- Breaking capacity: 80 kA
- Class of operation: gU

**Standards/Approvals for MJ31**

- ASTA certified
- Tested to BS88 part 5

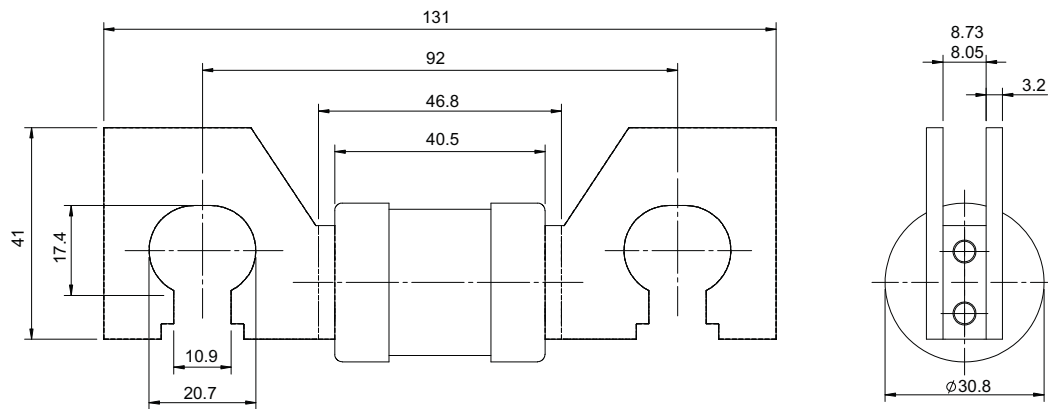
**Packaging for MJ31:**

- MOQ: 10

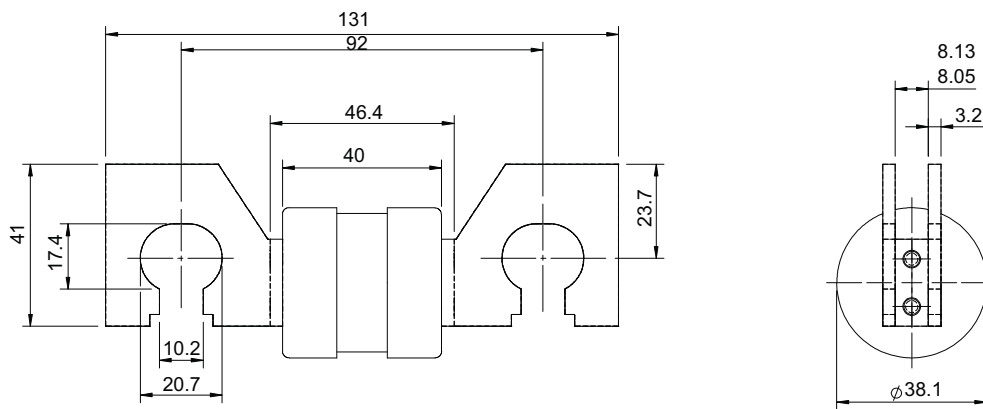
**Table 1. Technical Data for MJ31**

Part number	Rated voltage	Rated current (Amps)	Energy integrals I <sup>2</sup> t (A <sup>2</sup> -S)			Watts loss	Product Class
			Pre-arcing	Total at 240 V	Total at 415 V	W	
20MJ31-8	415 V a.c.	20	162	310	490	2.5	gU
25MJ31-8	415 V a.c.	25	320	610	970	2.8	gU
32MJ31-8	415 V a.c.	32	690	1300	2100	3.4	gU
40MJ31-8	415 V a.c.	40	1400	2650	4200	3.8	gU
50MJ31-8	415 V a.c.	50	2750	5200	8200	4.3	gU
63MJ31-8	415 V a.c.	63	5600	10,500	17,000	5	gU
80MJ31-7	415 V a.c.	80	8000	13,500	19,000	7.1	gU
100MJ31-7	415 V a.c.	100	14,000	24,500	35,000	8.7	gU
125MJ31-7	415 V a.c.	125	29,000	50,000	71,000	9.8	gU
160MJ31-7	415 V a.c.	160	57,000	97,000	135,000	11.5	gU
200MJ31-7	415 V a.c.	200	120,000	205,000	290,000	13	gU
250MJ31-7	415 V a.c.	250	200,000	340,000	480,000	16	gU
315MJ31-7	415 V a.c.	315	265,000	450,000	635,000	26	gU

Dimensions for MJ31 - mm

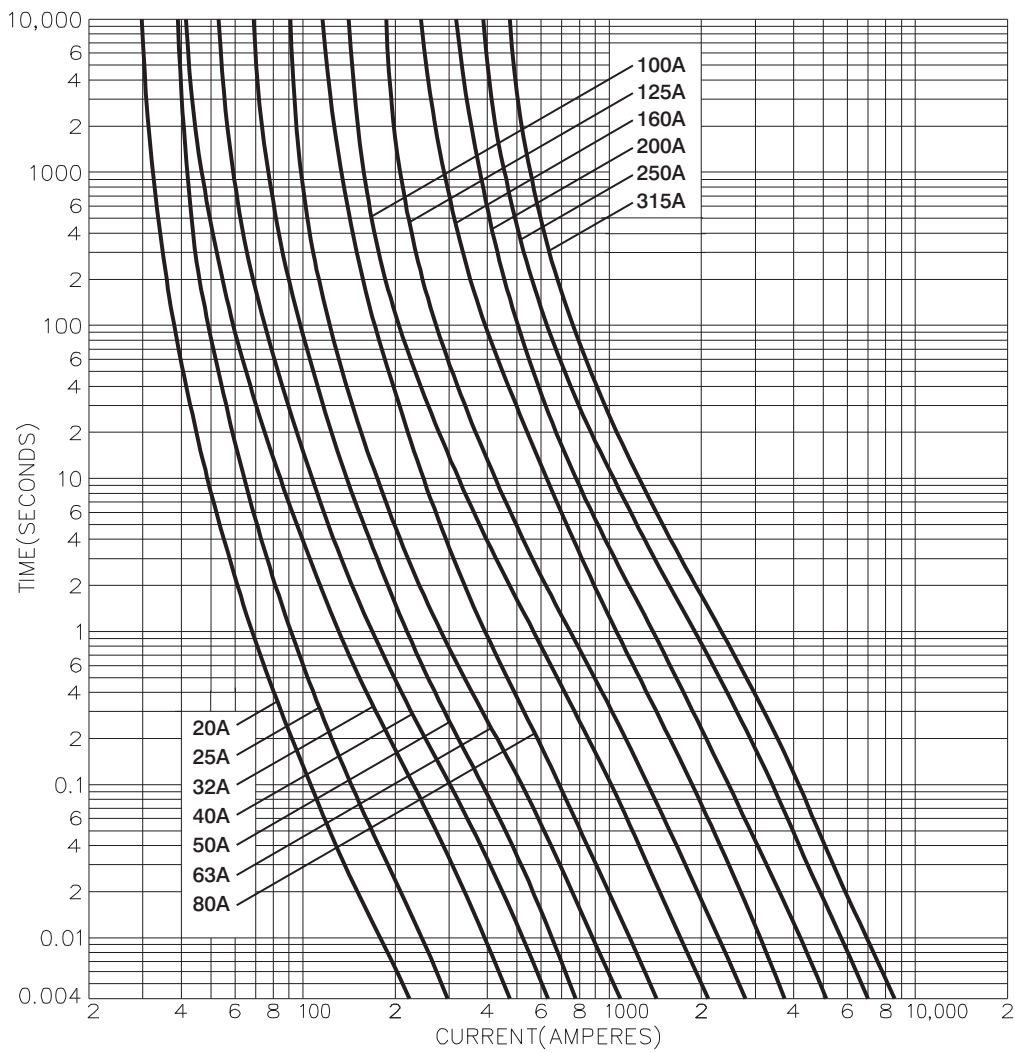


Up to 200 A



250 and 315 A

**Time current curve for MJ31**



**Catalogue symbol for Arc limiter:**

- 92AL200
- 92AL315

**Technical data for Arc limiter:**

- Rated voltage: 415 V a.c.
- Rated current: 200 and 315 A
- Breaking capacity: 80 kA
- Class of operation: aR

**Standards/Approvals for Arc limiter:**

- In accordance with BS88-5

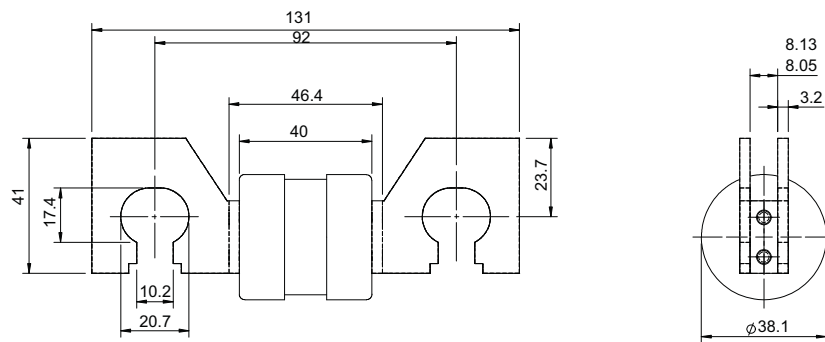
**Packaging for Arc limiter:**

- MOQ: 5

**Table 2. Technical Data for Arc limiter**

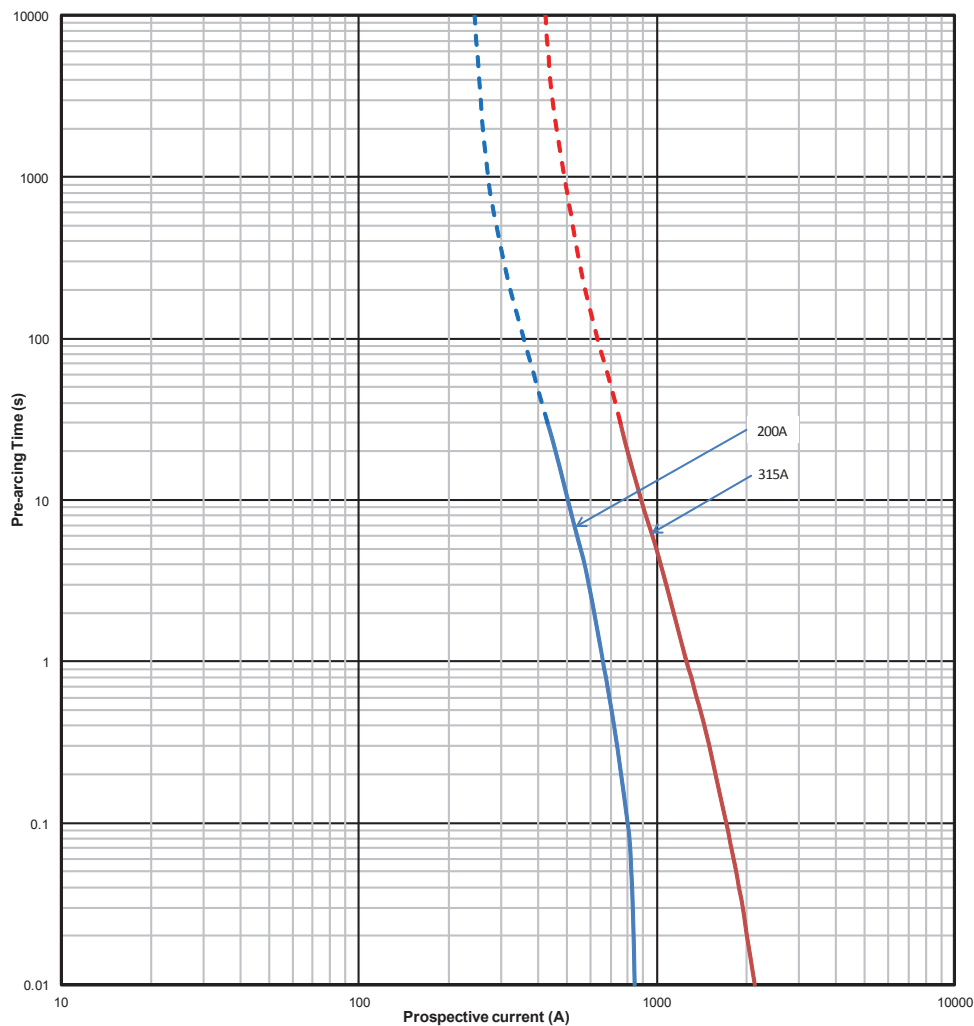
Part number	Rated voltage	Rated current (Amps)	Energy integrals $I^2t$ (A <sup>2</sup> S)			Watts loss W	Product Class
			Pre-arcing	Total at 240 V	Total at 415 V		
92AL200	415 V a.c.	200	9800	29,000	63,000	48	aR
92AL315	415 V a.c.	315	14,100	41,500	91,000	54	aR

**Dimensions for Arc limiter - mm**



**250 and 315 A**

**Time current curve for Arc limiter**



Changes to the products, to the information contained in this document, and to prices are reserved; so are errors and omissions. Only order confirmations and technical documentation by Eaton is binding. Photos and pictures also do not warrant a specific layout or functionality. Their use in whatever form is subject to prior approval by Eaton. The same applies to Trademarks (especially Eaton, Moeller, and Cutler-Hammer). The Terms and Conditions of Eaton apply, as referenced on Eaton Internet pages and Eaton order confirmations.

**Eaton**  
EMEA Headquarters  
Route de la Longeraie 7  
1110 Morges, Switzerland  
Eaton.eu

© 2015 Eaton  
All Rights Reserved  
Publication No. 4180  
July 2015