

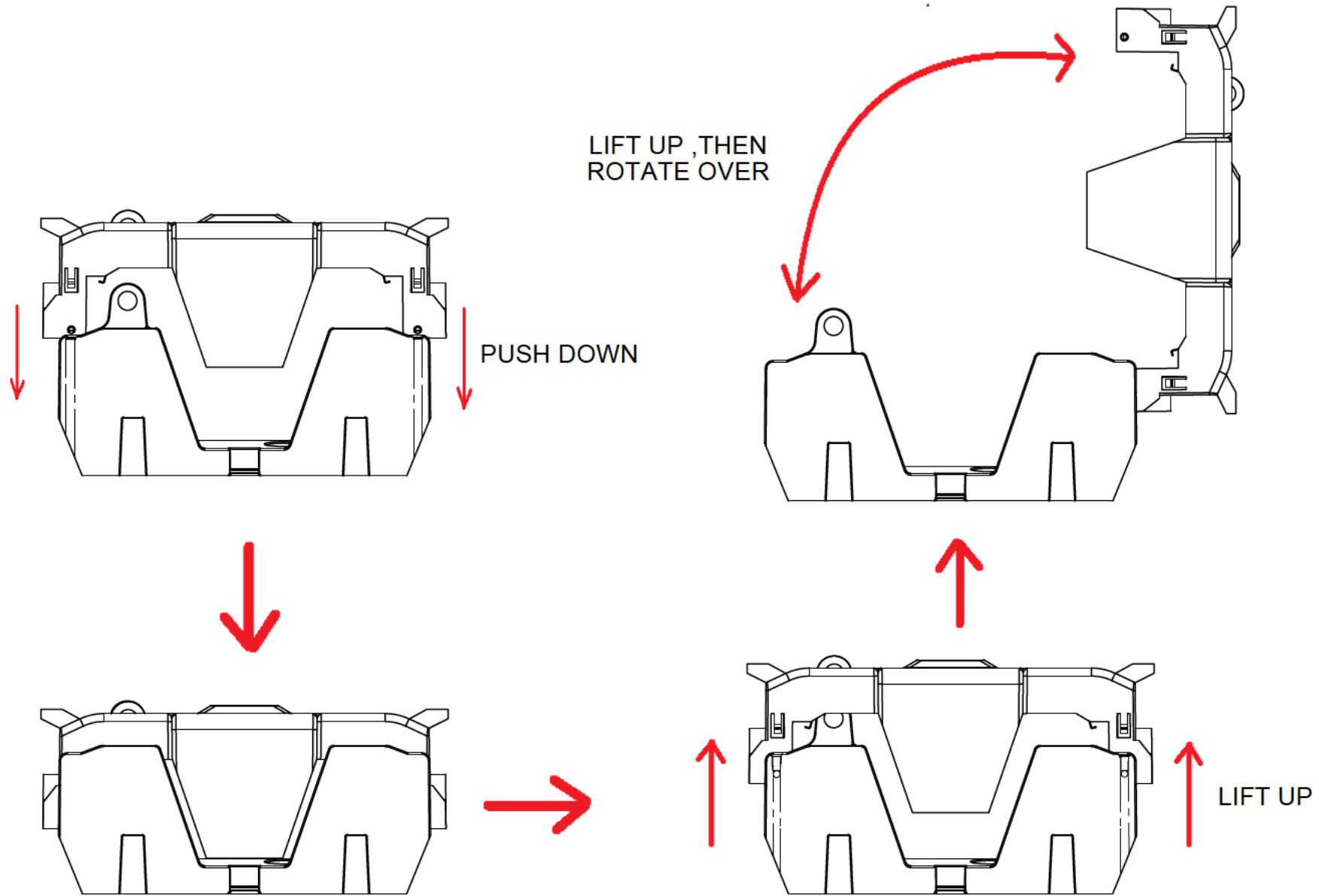
## Class J Fuseblocks(600V) Catalog Data

Catalog Number	Covers		Voltage	Current	Number of Poles	Label
	Class J	w/o Indication				
JM60100-1CR	CVR-J-60100	CVRI-J-60100	600	100	1	JM60100-1CR
JM60100-2CR					2	JM60100-2CR
JM60100-3CR					3	JM60100-3CR
JM60200-1CR	CVR-J-60200	CVRI-J-60200		200	1	JM60200-1CR
JM60200-2CR					2	JM60200-2CR
JM60200-3CR					3	JM60200-3CR
JM60400-1CR	CVR-J-60400	CVRI-J-60400		400	1	JM60400-1CR
JM60400-2CR					2	JM60400-2CR
JM60400-3CR					3	JM60400-3CR
JM60600-1CR	CVR-J-60600	CVRI-J-60600	600	1	JM60600-1CR	
JM60600-2CR				2	JM60600-2CR	
JM60600-3CR				3	JM60600-3CR	

**COOPER Bussmann**  
St. Louis MO 63178

TITLE:  
  
**Class J fuse holder-CUST**

SCALE: 1:5      SIZE: A3      SHEET: 1 OF 14

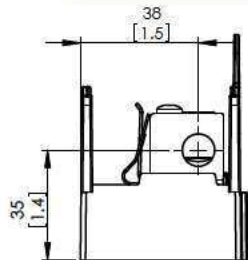
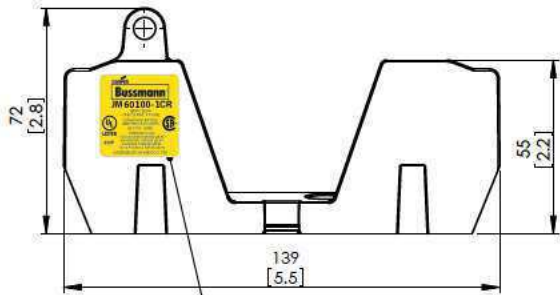
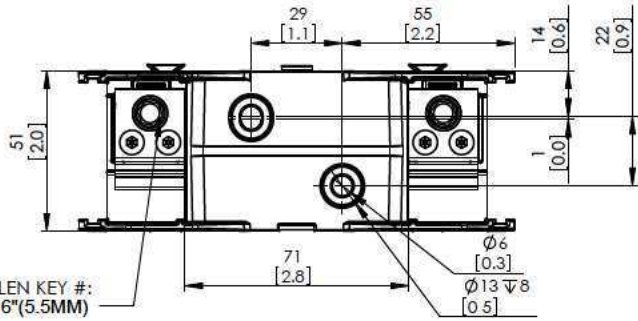


**COOPER Bussmann**  
St. Louis MO 63178

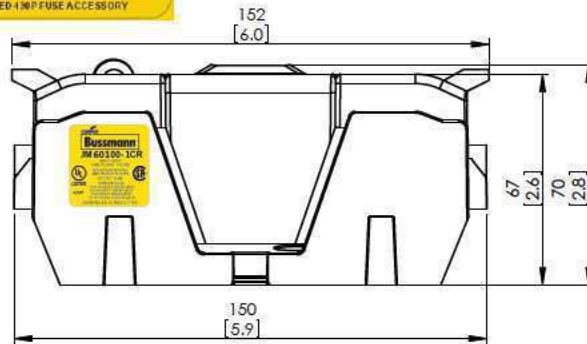
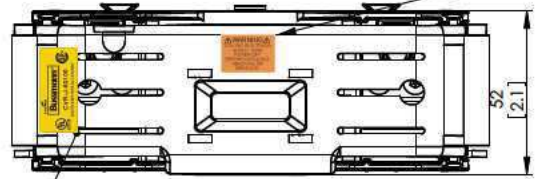
TITLE:  
**Class J fuse holder-CUST**

SCALE: 1:2      SIZE: A3      SHEET: 2 OF 14

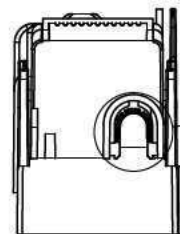
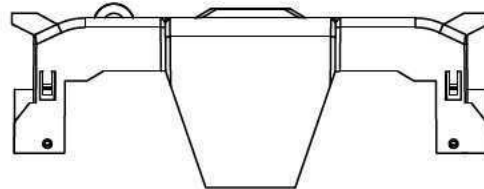
**JM60100-1CR**



**JM60100-1CR WITH CVR-J-60100 INSTALLED**

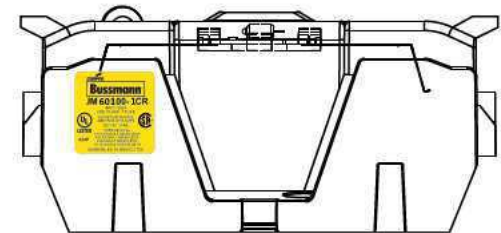
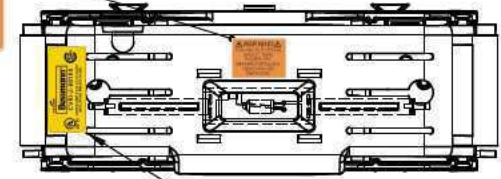


**CVR-J-60100**

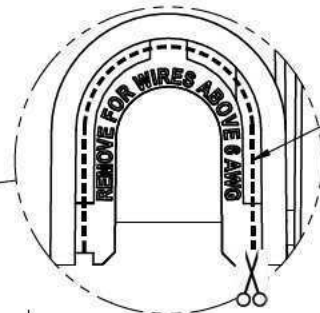
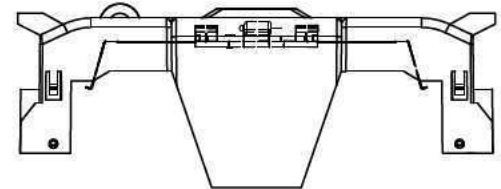


**JM60100-1CR WITH CVRI-J-60100 INSTALLED**

**WARNING**  
TO AVOID ELECTRICAL SHOCK, TURN POWER OFF BEFORE INSTALLING, REMOVING OR SERVICING.



**CVRI-J-60100**

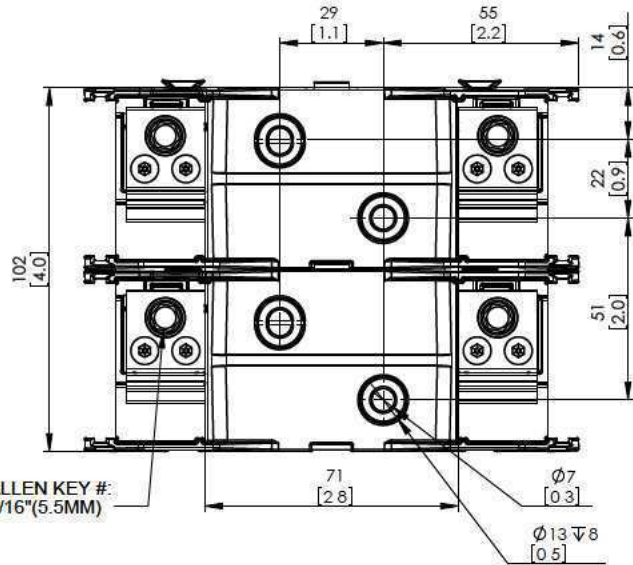


**COOPER Bussmann**  
St. Louis MO 63178

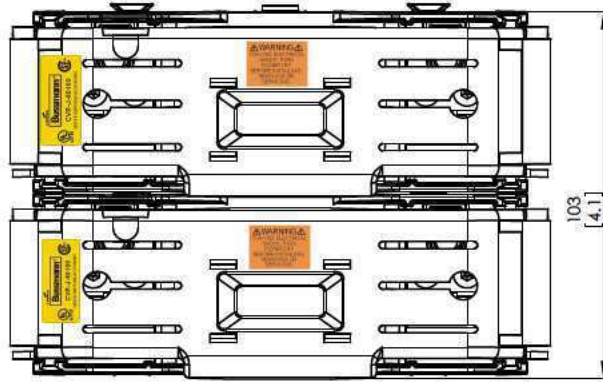
**Class J fuse holder-CUST**

SCALE: 1:1 SIZE: A3 SHEET: 3 OF 14

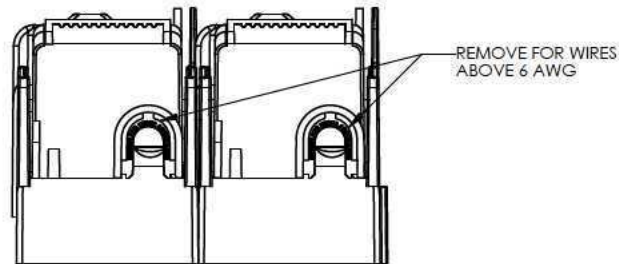
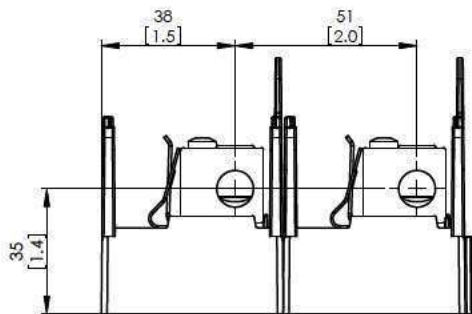
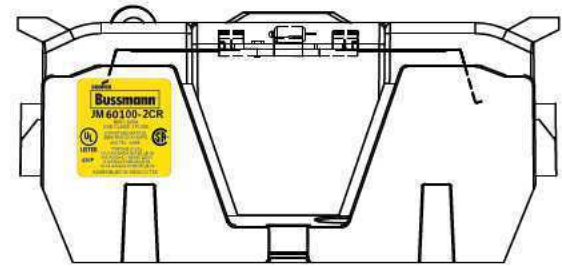
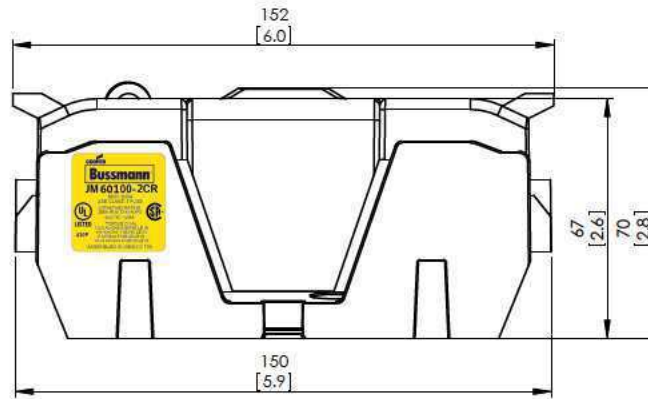
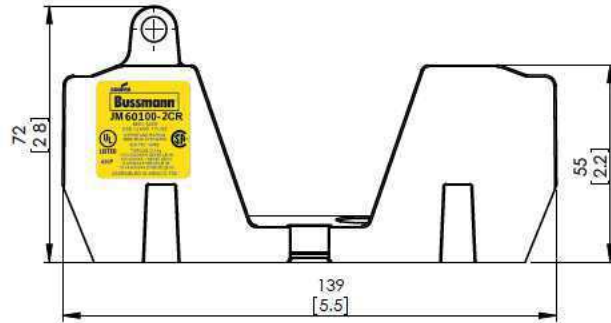
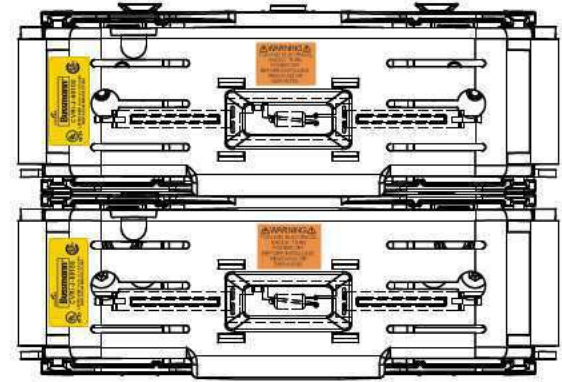
**JM60100-2CR**



**JM60100-2CR  
WITH CVR-J-60100 INSTALLED**



**JM60100-2CR  
WITH CVRI-J-60100 INSTALLED**



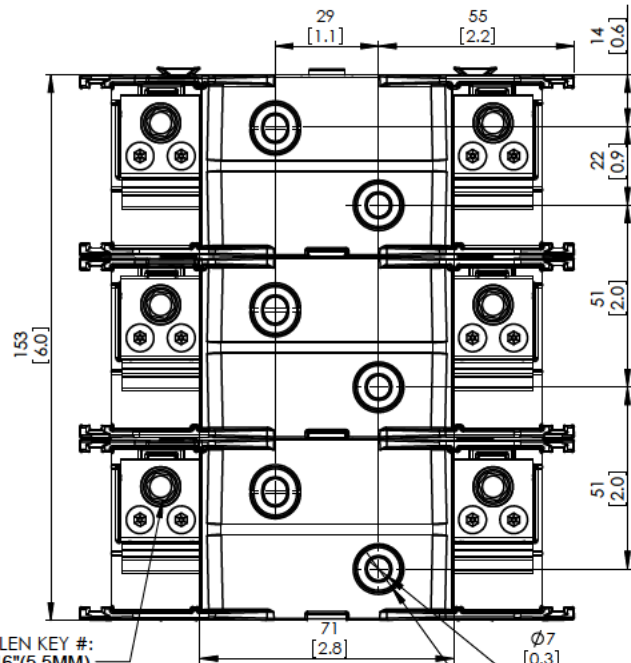
**COOPER Bussmann**  
St. Louis MO 63178

TITLE:  
**Class J fuse holder-CUST**

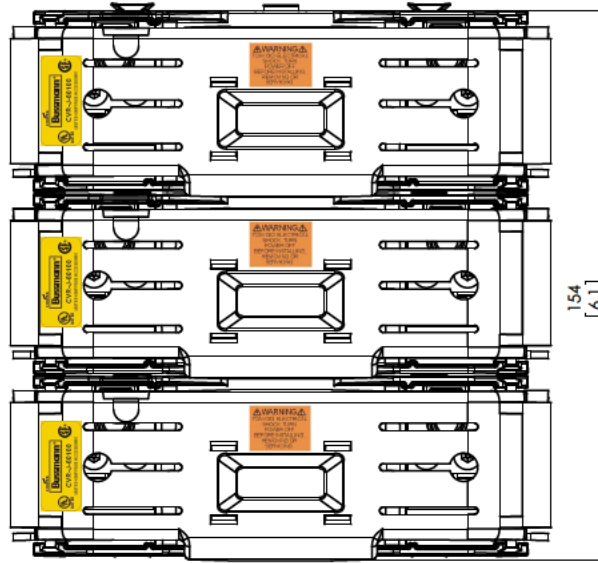
SCALE: 1:1      SIZE: A3      SHEET: 4 OF 14



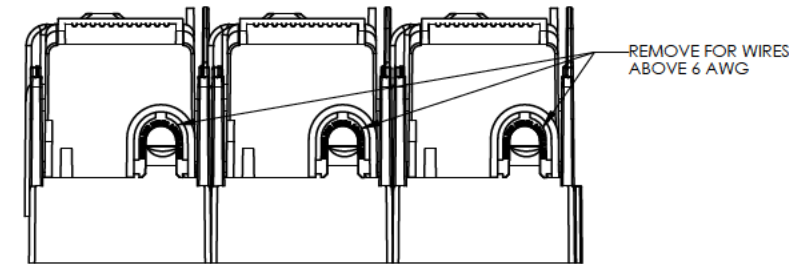
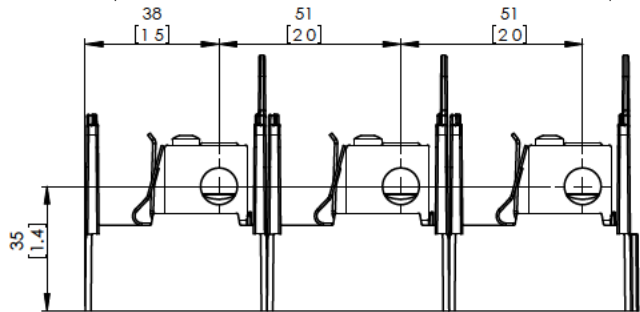
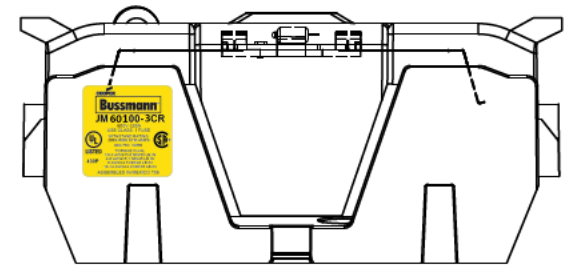
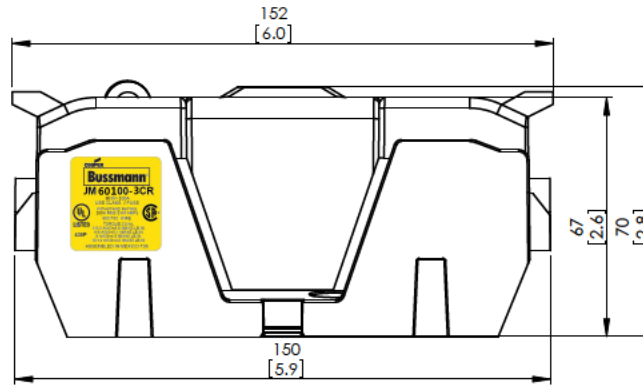
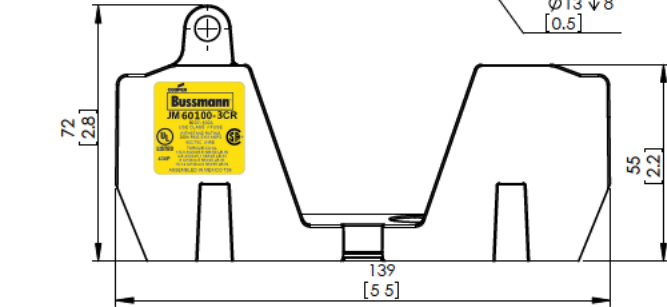
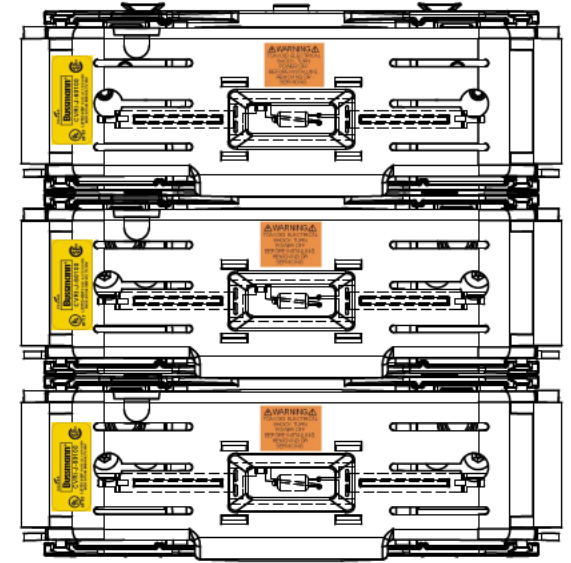
**JM60100-3CR**



**JM60100-3CR WITH CVR-J-60100 INSTALLED**



**JM60100-3CR WITH CVRI-J-60100 INSTALLED**

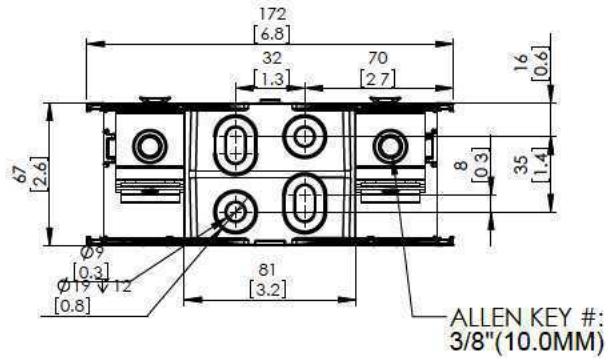


**COOPER Bussmann**  
St. Louis MO 63178

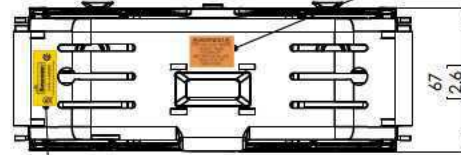
TITLE:  
**Class J fuse holder-CUST**

SCALE: 1:1 SIZE: A3 SHEET: 5 OF 14

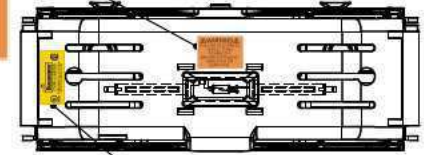
**JM60200-1CR**



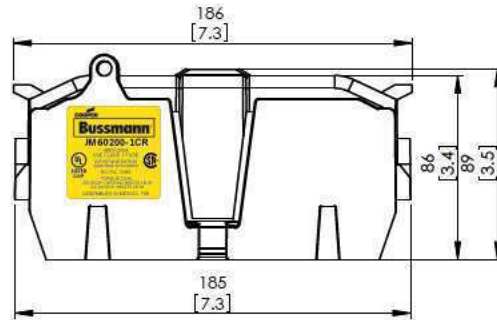
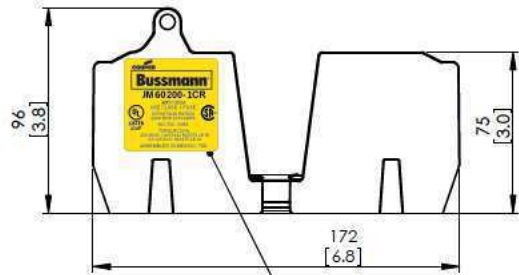
**JM60200-1CR WITH CVR-J-60200 INSTALLED**



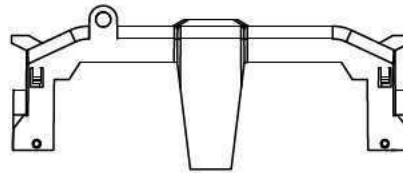
**JM60200-1CR WITH CVRI-J-60200 INSTALLED**



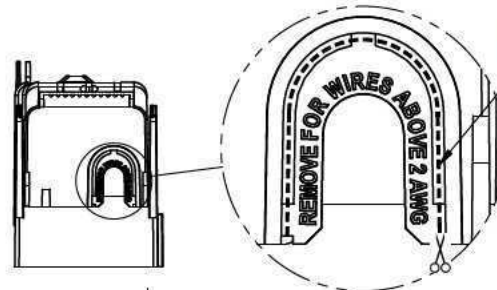
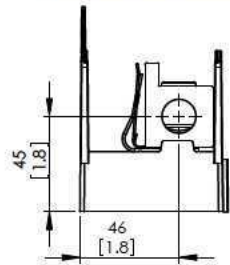
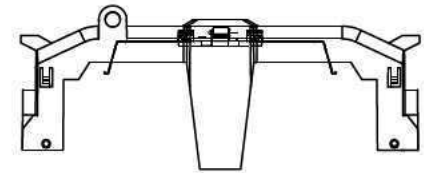
**WARNING**  
TO AVOID ELECTRICAL SHOCK, TURN POWER OFF BEFORE INSTALLING, REMOVING OR SERVICING.



**CVR-J-60200**



**CVRI-J-60200**

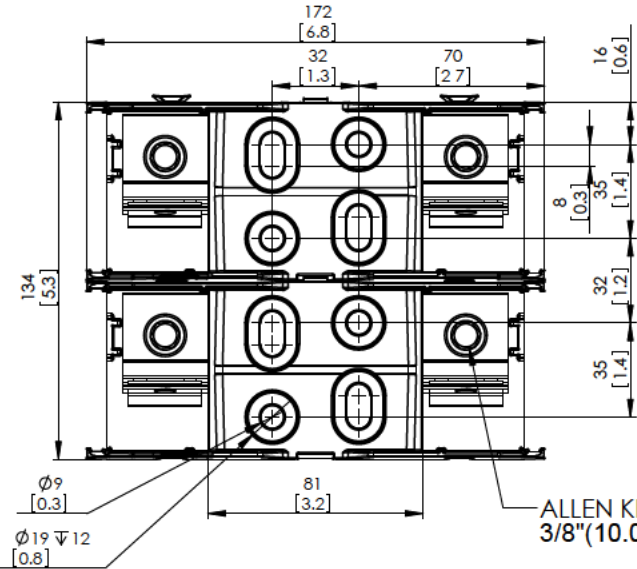


**COOPER Bussmann**  
St. Louis MO 63178

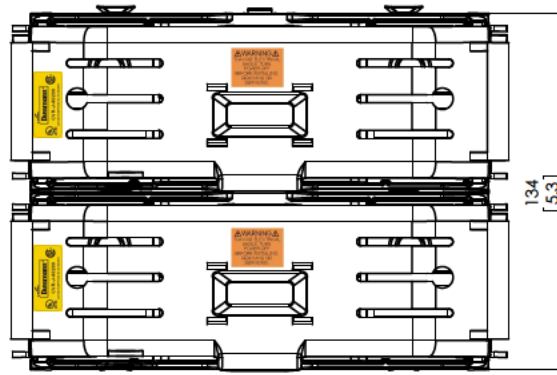
TITLE:  
**Class J fuse holder-CUST**

SCALE: 1:2 SIZE: A3 SHEET: 6 OF 14

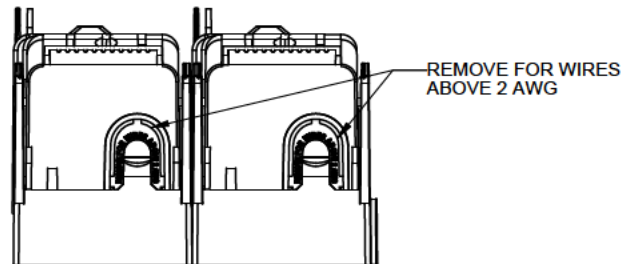
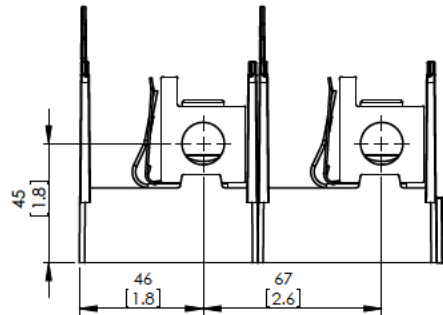
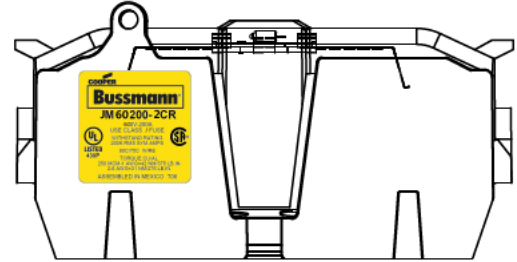
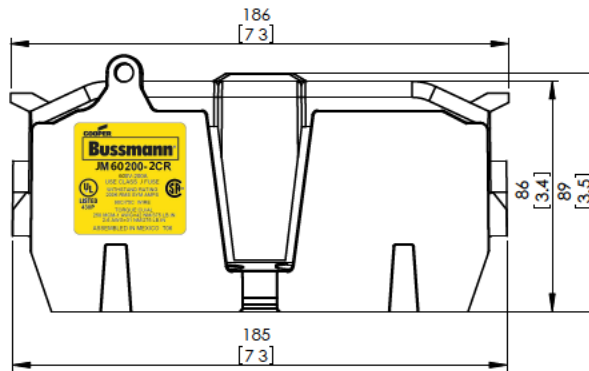
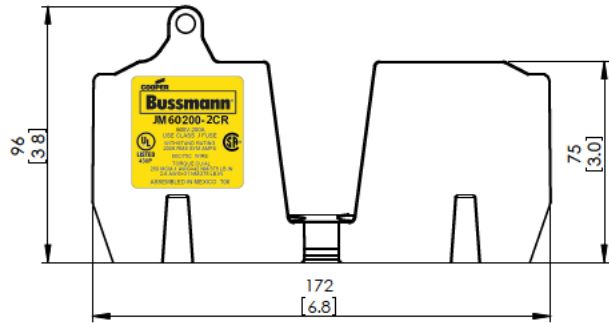
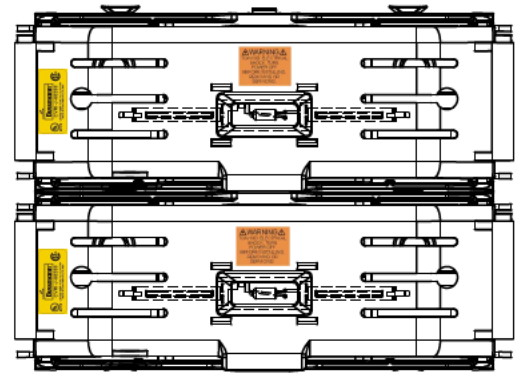
**JM60200-2CR**



**JM60200-2CR  
WITH CVR-J-60200 INSTALLED**



**JM60200-2CR  
WITH CVRI-J-60200 INSTALLED**



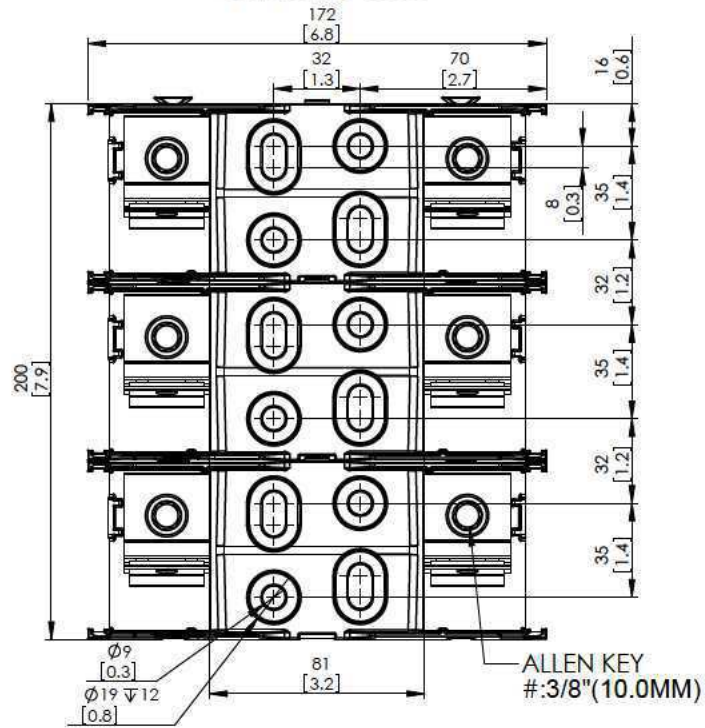


DESIGN UNITS: METRIC (mm)  
UNLESS OTHERWISE SPECIFIED [INCHES]

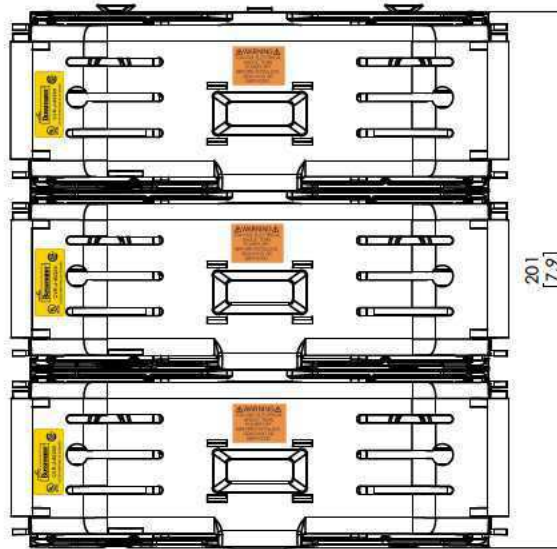


THIRD ANGLE PROJECTION

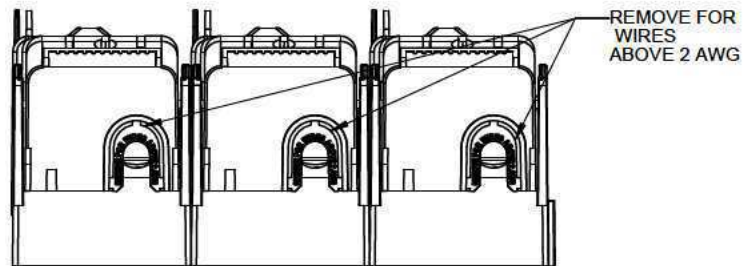
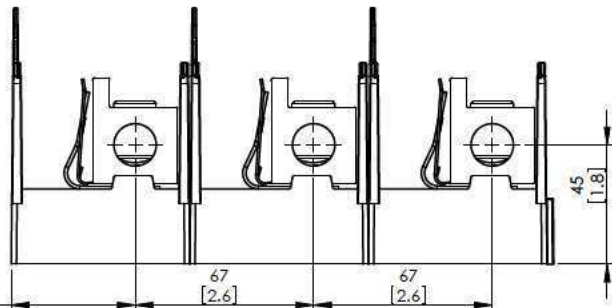
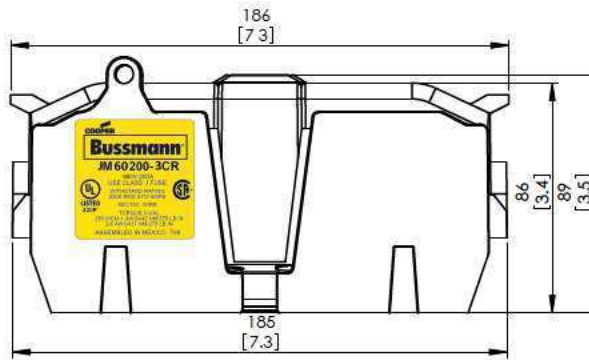
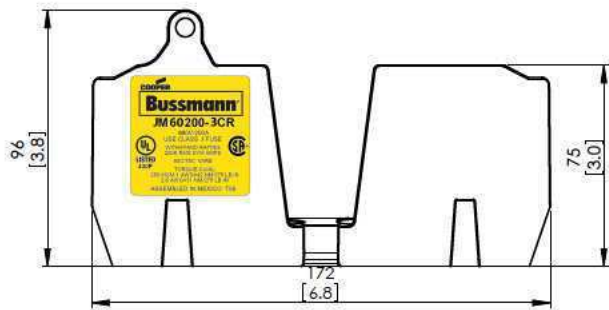
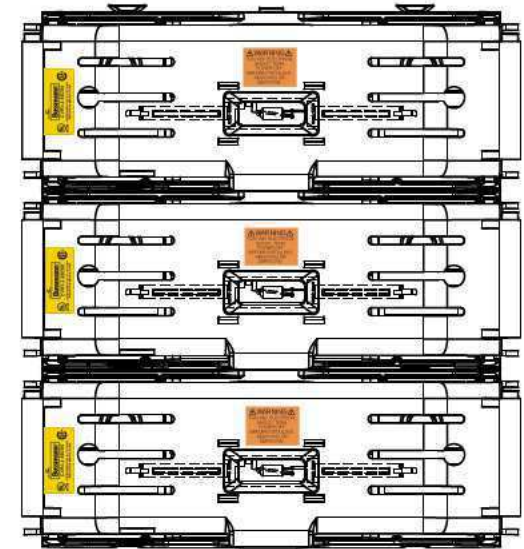
**JM60200-3CR**



**JM60200-3CR  
WITH CVR-J-60200 INSTALLED**



**JM60200-3CR  
WITH CVRI-J-60200 INSTALLED**



**COOPER Bussmann**  
St. Louis MO 63178

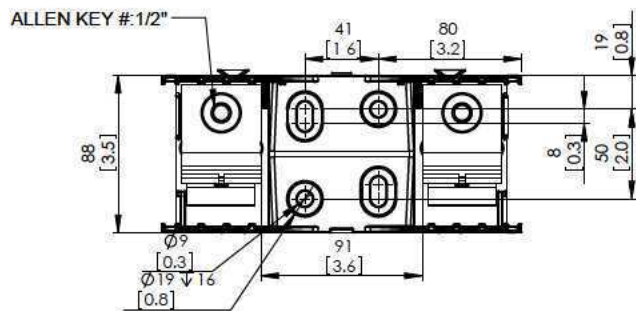
TITLE:  
**Class J fuse holder-CUST**

SCALE: 1:2 SIZE: A3 SHEET: 8 OF 14

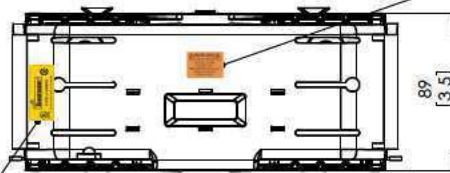




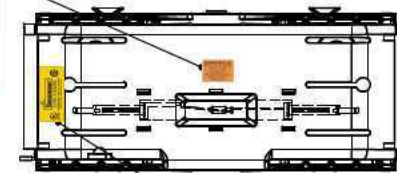
### JM60400-1CR



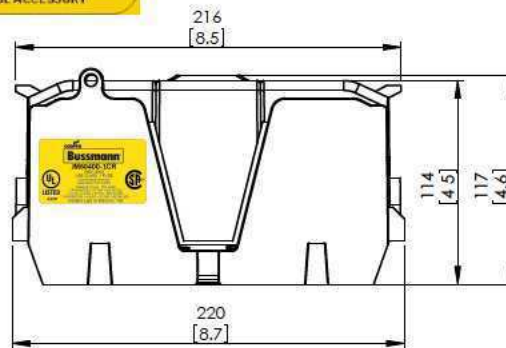
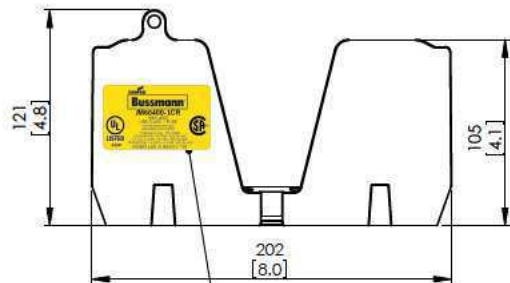
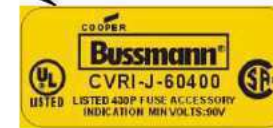
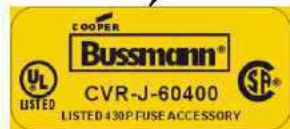
### JM60400-1CR WITH CVR-J-60400 INSTALLED



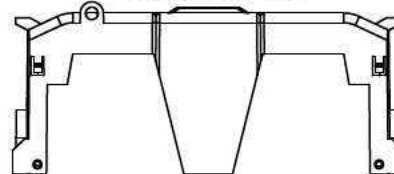
### JM60400-1CR WITH CVRI-J-60400 INSTALLED



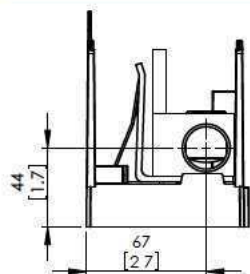
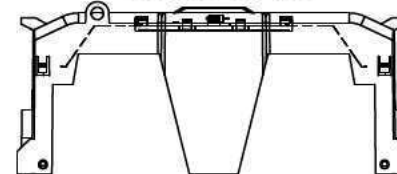
**WARNING**  
TO AVOID ELECTRICAL SHOCK, TURN POWER OFF BEFORE INSTALLING, REMOVING OR SERVICING.



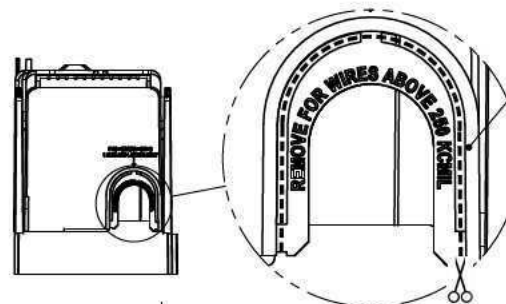
### CVR-J-60400



### CVRI-J-60400



CUT OPEN ALONG THIS DOTTED LINE FOR WIRES ABOVE 250 KCMIL

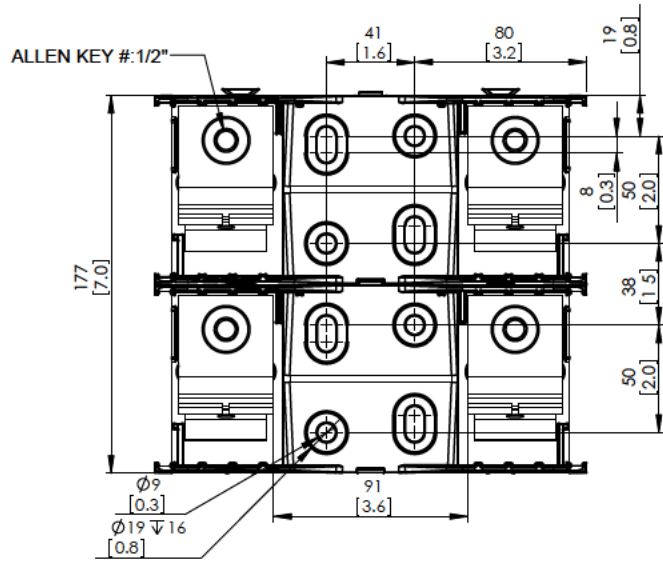


**COOPER Bussmann**  
St. Louis MO 63178

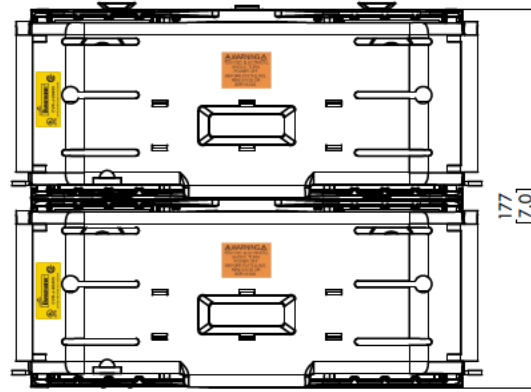
## Class J fuse holder-CUST

SCALE: 1:5 SIZE: A3 SHEET: 9 OF 14

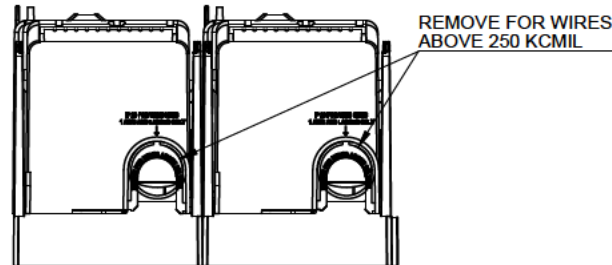
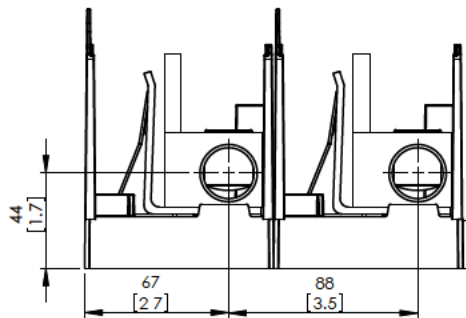
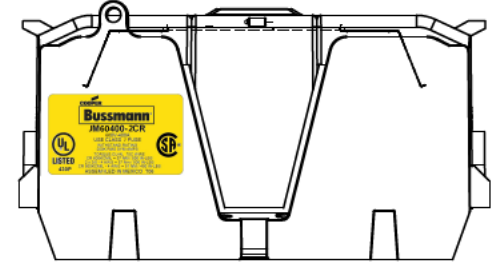
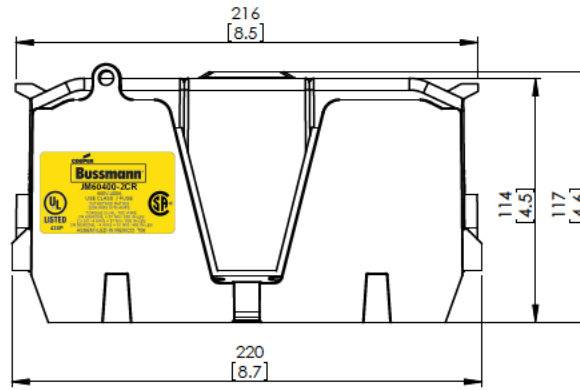
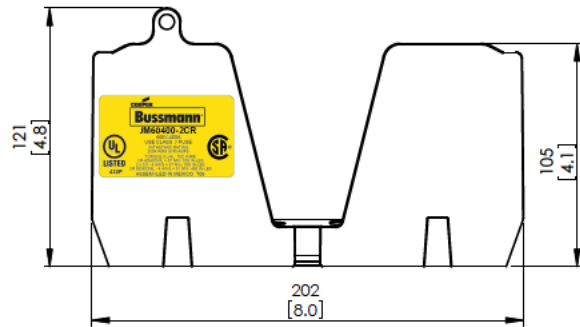
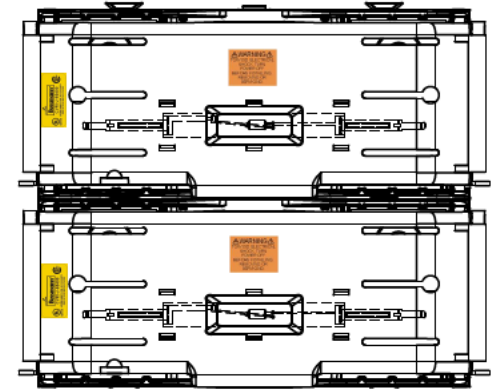
**JM60400-2CR**



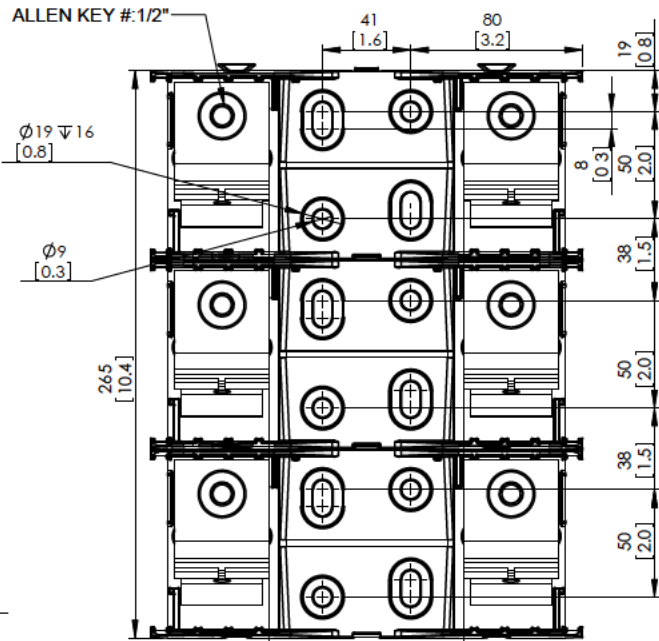
**JM60400-2CR  
WITH CVR-J-60400 INSTALLED**



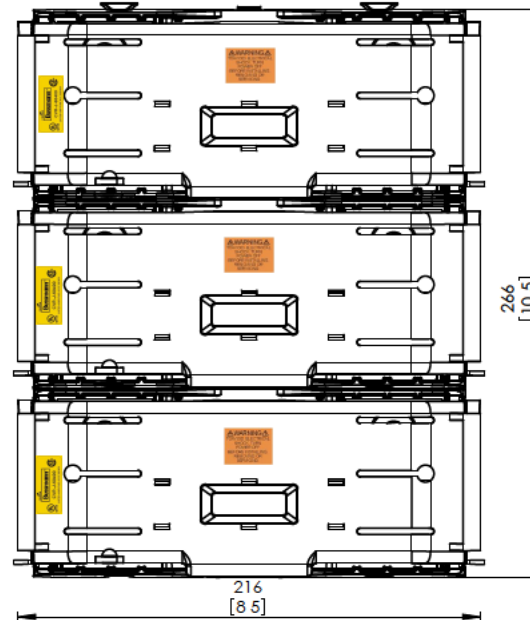
**JM60400-2CR  
WITH CVRI-J-60400 INSTALLED**



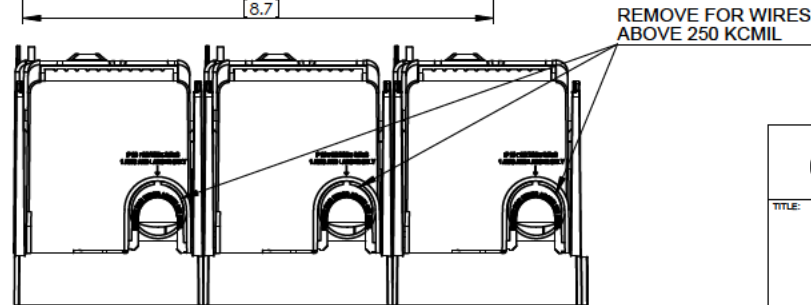
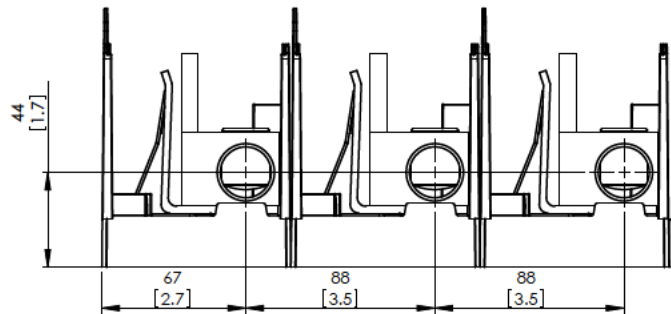
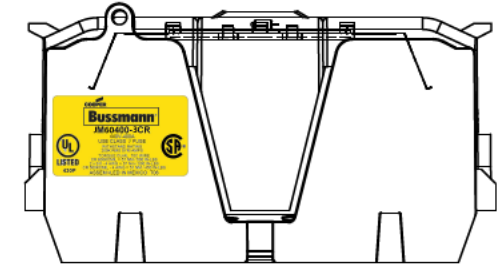
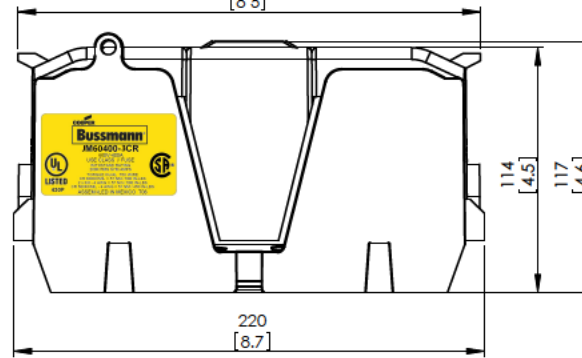
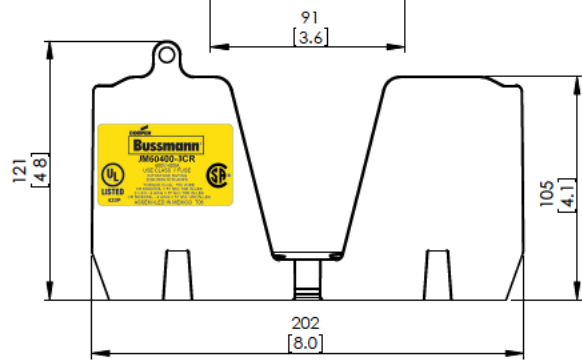
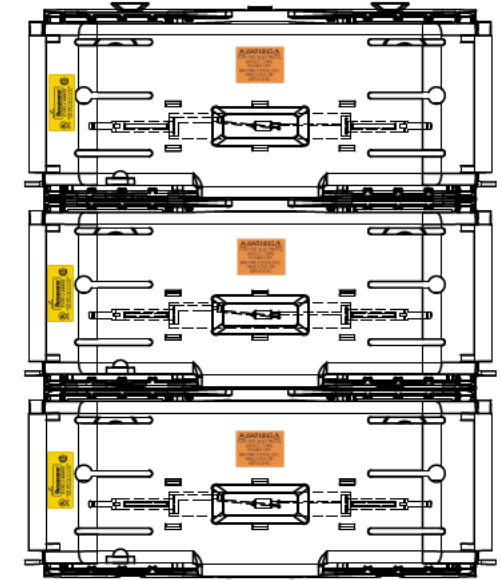
**JM60400-3CR**



**JM60400-3CR  
WITH CVR-J-60400 INSTALLED**



**JM60400-3CR  
WITH CVRI-J-60400 INSTALLED**



**COOPER Bussmann**  
St. Louis MO 63178

TITLE:

**Class J fuse holder-CUST**

SCALE:  
1:5

SIZE:  
A3

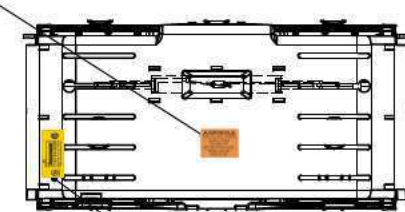
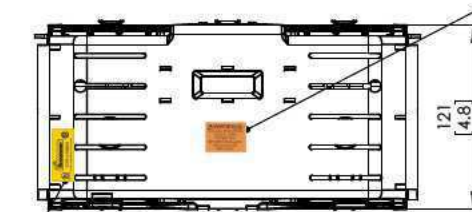
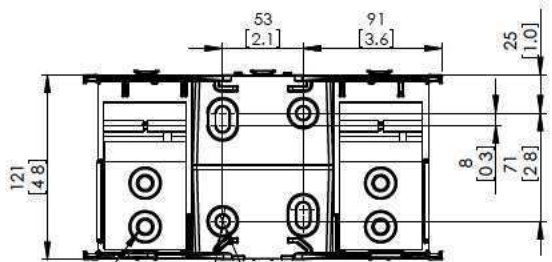
SHEET:  
11 OF 14



**JM60600-1CR**

**JM60600-1CR WITH CVR-J-60600 INSTALLED**

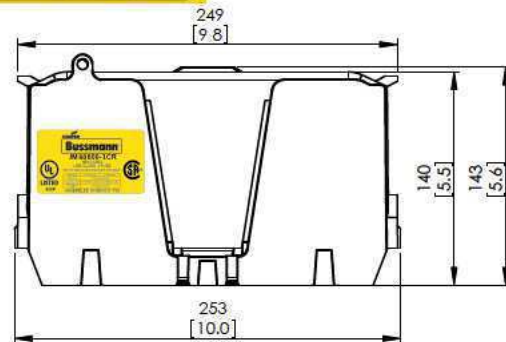
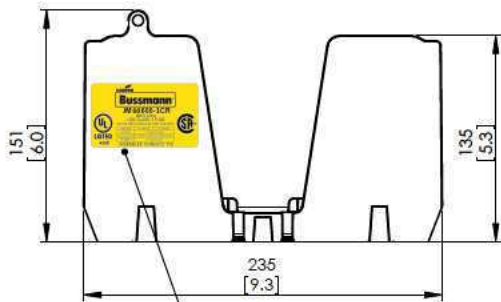
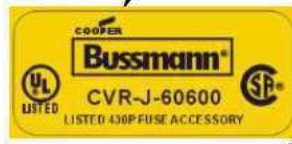
**JM60600-1CR WITH CVRI-J-60600 INSTALLED**



**WARNING**  
 TO AVOID ELECTRICAL SHOCK, TURN POWER OFF BEFORE INSTALLING, REMOVING OR SERVICING.

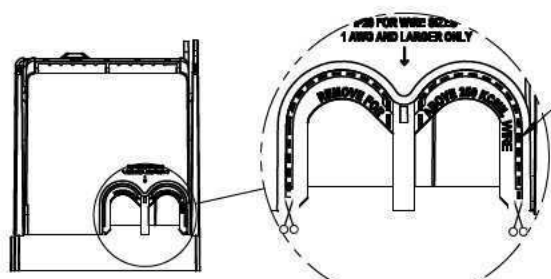
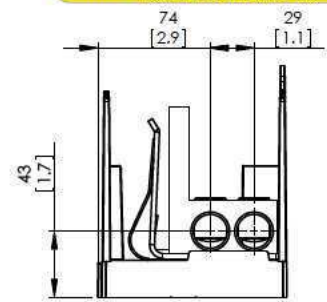
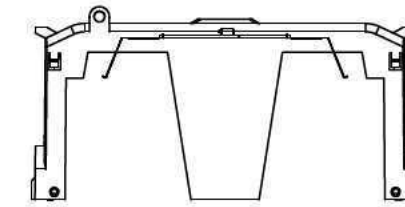
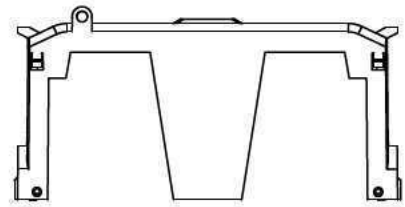
ALLEN KEY #: 3/8" (10.0MM)

Ø19 ∇ 16 [0.8]  
 Ø9 [0.3]



**CVR-J-60600**

**CVRI-J-60600**



CUT OPEN ALONG THIS DOTTED LINE FOR WIRES ABOVE 250 KCMIL

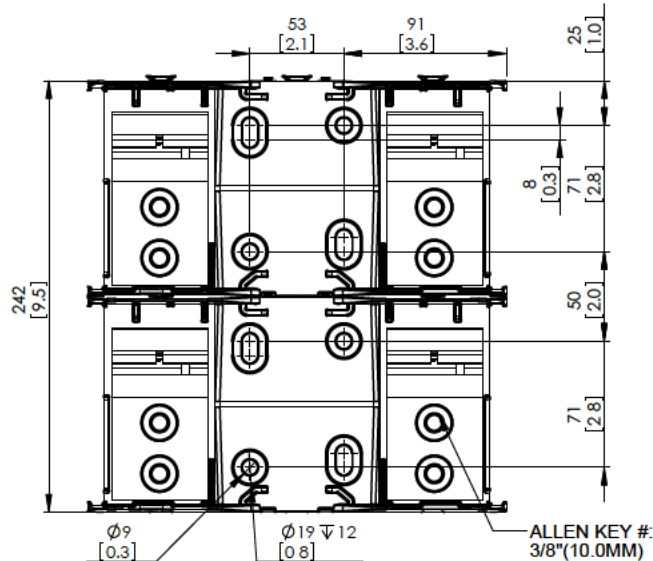
**COOPER Bussmann**  
 St. Louis MO 63178

TITLE:  
**Class J fuse holder-CUST**

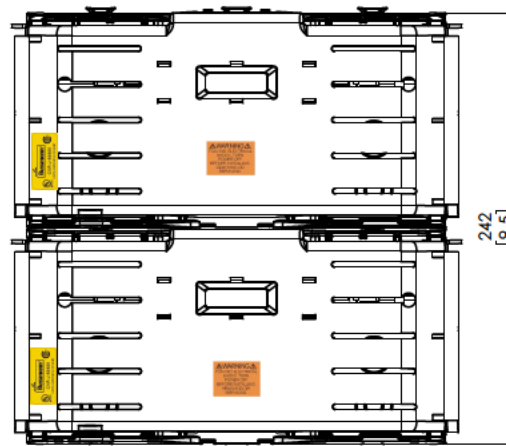
SCALE: 1:5 SIZE: A3 SHEET: 12 OF 14



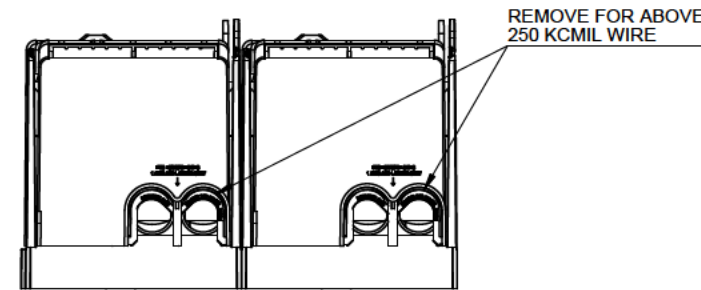
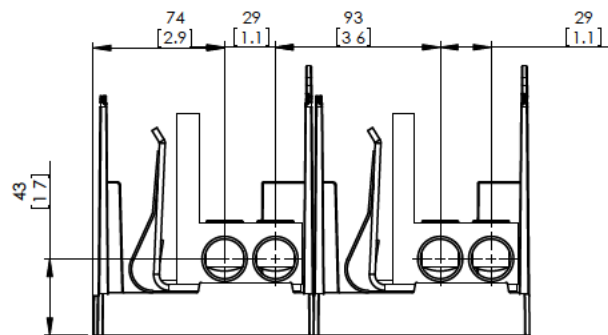
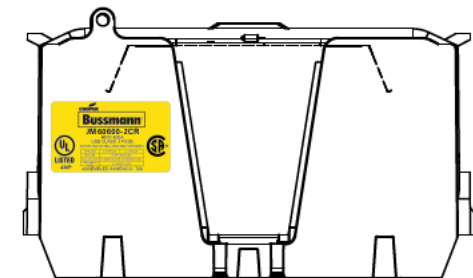
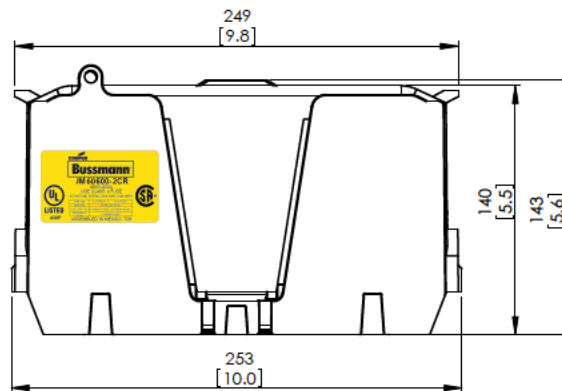
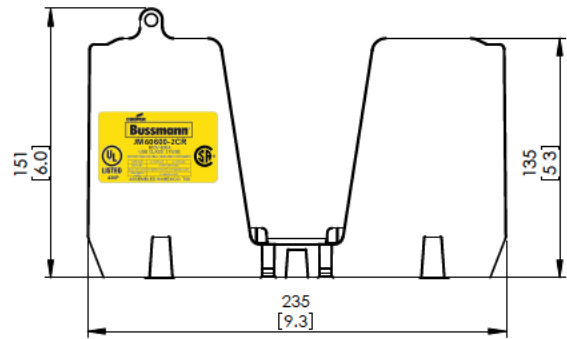
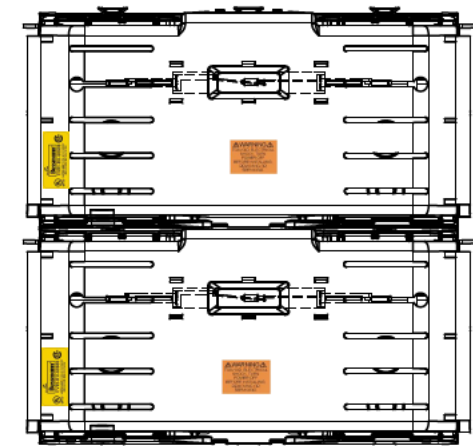
**JM60600-2CR**



**JM60600-2CR  
WITH CVR-J-60600 INSTALLED**



**JM60600-2CR  
WITH CVRI-J-60600 INSTALLED**

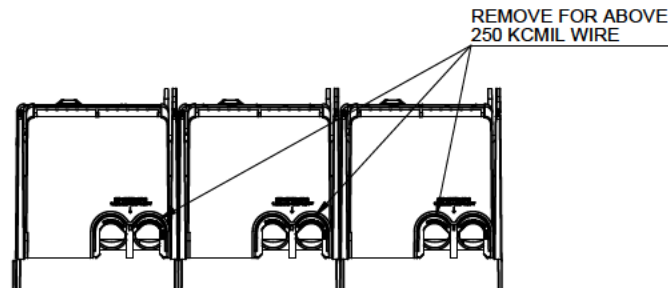
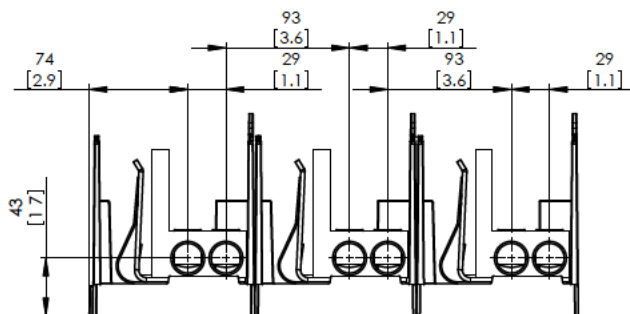
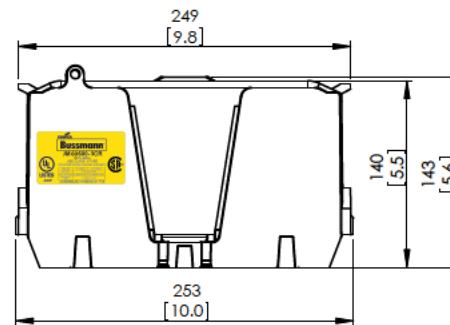
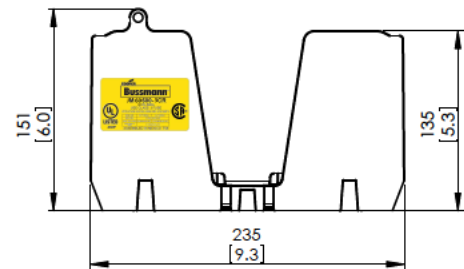
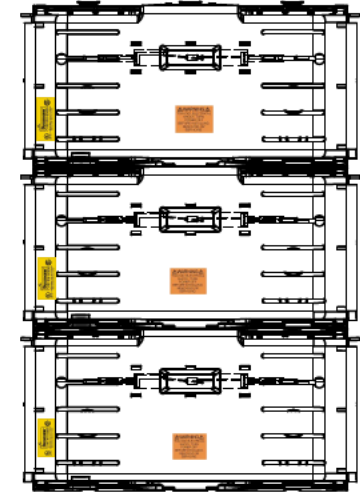
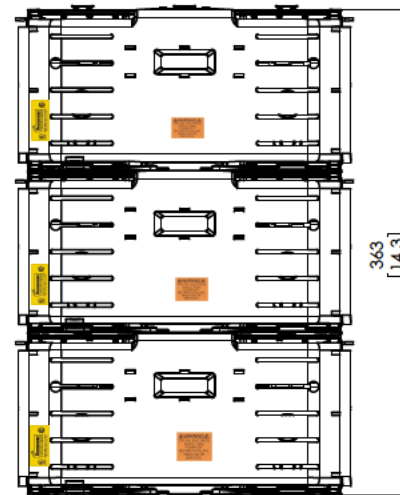
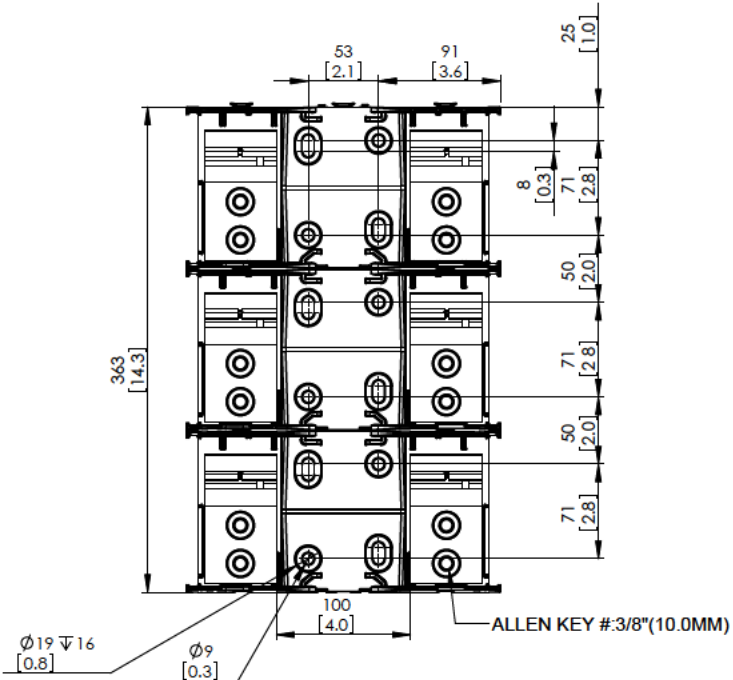




**JM60600-3CR**

**JM60600-3CR  
WITH CVR-J-60600 INSTALLED**

**JM60600-3CR  
WITH CVRI-J-60600 INSTALLED**



**COOPER Bussmann**  
St. Louis MO 63178

TITLE:  
**Class J fuse holder-CUST**

SCALE: 1:5      SIZE: A3      SHEET: 14 OF 14