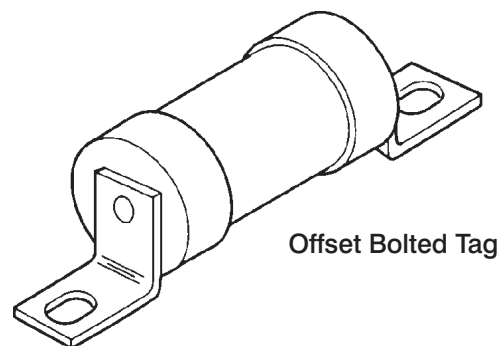
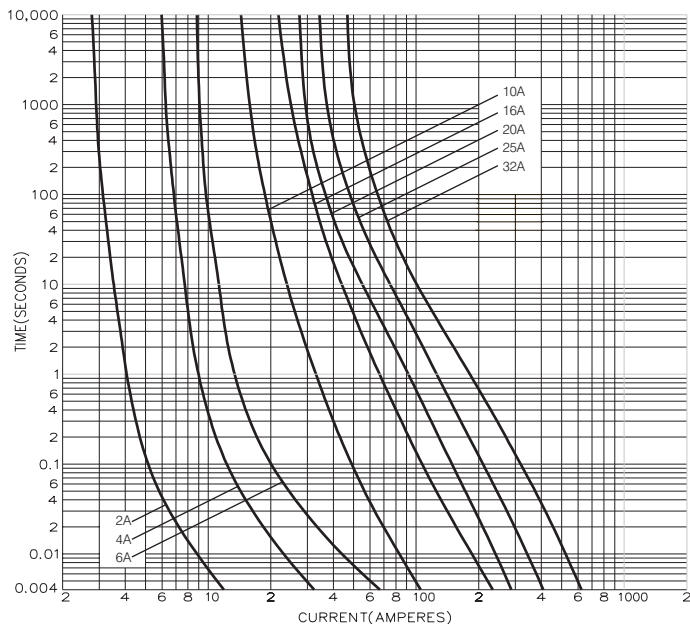


BS88, IEC269

H07-660

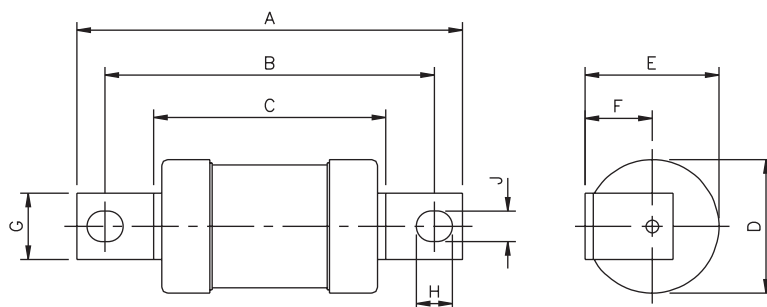
Industrial HRC Fuse Links 660V Range
Offset Bolted Tags

Time-Current Characteristic Curve



Offset Bolted Tag

Dimensional Data



Carton Quantities:
All H07 range packed in 20's

Ordering Code:
Rating followed by H07-660

Catalog Number	I ² t (Ampere ² Seconds)					Nom. Watts Loss	Rated Voltage	Dimensions (mm)								
	Amp Ratings	Pre-Arcing	Total at 415V	Total at 550V	Total at 660V			A	B	C	D	E	F	G	H	J
H07-660	2	0.8	1.6	2.4	3.2	1.5	660V a.c. 250V d.c.	82.3	71.5	52.0	22.0	22.4	11.5	8.7	7.7	5.4
H07-660	4	5	10	15	20	2.7										
H07-660	6	20	40	60	80	3.3										
H07-660	10	44	130	180	220	2.8										
H07-660	16	250	765	1,000	1,200	2.8										
H07-660	20	430	900	1,300	2,500	2.7										
H07-660	25	850	1,800	2,500	4,900	3.1										
H07-660	32	2,100	4,400	6,100	12,000	3.3										



Bussmann Division
Cooper (U.K.) Ltd
Burton-on-the-Wolds
Leicestershire, LE12 5TH
United Kingdom
Tel: (44) (0)1509 88 27 37
Fax: (44) (0)1509 88 27 86

This bulletin is intended to clearly present comprehensive product data and provide technical information that will help the end user with design applications. Bussmann reserves the right, without notice, to change design or construction of any products and to discontinue or limit distribution of any products. Bussmann also reserves the right to change or update, without notice, any technical information contained in this bulletin. Once a product has been selected, it should be tested by the user in all possible applications.

Head Office
St. Louis, MO, U.S.A. Tel: (314) 527-3877 Fax: (800) 544-2570 International Fax: (314) 527-1445



Bussmann Information Fax (00 1) 314 527 1450