

IEC High speed catalogue

# Leadership in Circuit Protection

**Bussmann is now a part of Eaton**

Learn more at [Eaton.com/Cooper](http://Eaton.com/Cooper)

**Bussmann**  
by **EAT•N**





Leadership in Circuit Protection.

# The only company that can provide a complete circuit protection solution for all applications.

## Only Eaton can deliver...

- The most diverse solutions to mitigate arc flash energy to keep people and equipment safe
- The smallest and most cost effective way to meet selective coordination requirements
- The most experienced, time-tested solutions to meet national & local code requirements
- The easiest specifications with the most tested fuse/circuit breaker and circuit breaker/circuit breaker series rated combinations
- The only one-stop shop to solve your design challenges using our expertise and an unmatched portfolio

The Eaton advantage.

### Powering business worldwide

As a global diversified power management company, we help customers worldwide manage the power needed for buildings, aircraft, trucks, cars, machinery and businesses.

Eaton's innovative technologies help customers manage electrical, hydraulic and mechanical power more reliably, efficiently, safely and sustainably.

We provide integrated solutions that help make energy, in all its forms, more practical and accessible.

With 2012 sales of \$16.3 billion, Eaton has approximately 103,000 employees around the world and sells products in more than 175 countries.

[Eaton.com](http://Eaton.com)

**EATON**

*Powering Business Worldwide*

## Table of Contents

North American Fuse Links			6-16
130Vac	1000 to 4000A	FWA Series	6
150Vac	70 to 1000A	FWA Series	7-8
250Vac	35 to 2500A	FWX Series	9
500Vac	35 to 1600A	FWH Series	10
600Vac	1 to 1000A	KAC Series	11
600Vac	35 to 800A	KBC Series	12-13
700Vac	5 to 1200A	FWP Series	14-15
1000Vac	35 to 2000A	FWJ Series	16
British Standard BS88 Fuse Links			17-23
240-250-280Vac/150Vdc	6 to 180A	LCT, LET Series	17-18
240-250Vac/150Vdc	160 to 900A	LMT, LMMT Series	19
690-700Vac/500Vdc	6 to 200A	CT, ET, FE, EET and FEE Series	20-21
690-700Vac/350-450-500Vdc	160 to 710A	FM, FMM, MT and MMT Series	22-23
Ferrule Fuse Links			24-34
150Vac/Vdc	5 to 60A	FWA Series	24
250Vac/Vdc	1 to 50A	FWX Series	25
500Vac	0.25 to 30A	FWH-A6F Series	26
500Vac/Vdc	1 to 30A	FWH-14F Series	27
600-700Vac/700Vdc	1 to 32A	FWC Series	28
690-700Vac/600-800Vdc	1 to 50A	FWP-A14F Series	29
700Vac/500Vdc	20 to 100A	FWP-A22F Series	30
750-1000Vdc	5 to 60A	FWK-A25F Series	31
1000Vac/800Vdc	20 to 30A	FWJ Series	32
1250Vac/1000Vdc	20 to 30A	FWL Series	33
1400-2000Vac/1000Vdc	2 to 15A	FWS Series	34
Square Body Fuse Links			35-75
<b>DIN 43653</b>			
690-700Vac/Vdc	10 to 400A	170M Series - Size 000 and 00	35-36
690-700Vac	40 to 2000A	170M Series - Size 1* to 3	37-38
1000Vac	20 to 315A	170M Series - Size 00	39
1000Vac	50 to 1400A	170M Series - Size 1* to 3	40-41
1250-1300Vac	50 to 1400A	170M Series- Size 1* to 3	42-43
<b>DIN 43620</b>			
690Vac	10 to 800A	170M Series - Size 00 to 3	44-45
690-700Vac	10 to 1600A	170M Series - Dual Indicator	46-47
1000Vac	20 to 225A	170M Series - Size 00	48
<b>French Style</b>			
690-700Vac	40 to 1600A	170M Series - Size 1* to 3	49-50
<b>US Style</b>			
690-700Vac	40 to 2000A	170M Series - Size 1* to 3	51-52
1000Vac	50 to 1400A	170M Series - Size 1* to 3	53-54
1250-1300Vac	50 to 1400A	170M Series - Size 1* to 3	55-56

## Table of Contents

<b>Square Body</b>			<b>35-75</b>
<b>Flush End Contact</b>			
690Vac	25 to 400A	170M Series - Size 00	57
690-700Vac	40 to 2000A	170M Series - Size 1* to 3	58-59
1000Vac	50 to 1400A	170M Series - Size 1* to 3	60-61
1250-1300Vac	50 to 1400A	170M Series - Size 1* to 3	62-63
690-700Vac	1000 to 4000A	170M Series - Size 1* to 3	64-65
1000Vac	1000 to 3000A	170M Series - Size 4	66-67
1250Vac	1400 to 2500A	170M Series - Size 4	68-69
660Vac	1000 to 4000A	170M Series - Size 23	70-71
1250Vac	630 to 2800A	170M Series - Size 23	72
690Vac	2000 to 7500A	170M Series - Size 24	73
1000Vac	2000 to 5000A	170M Series - Size 24	74
1100-2000Vac	1800 to 5500A	170M Series - Size 5	75
<b>Drive Fuse Links</b>			<b>76</b>
600Vac/450Vdc	1 to 600A	DFJ Series	76
<b>IGBT Fuse Links</b>			<b>77-80</b>
750-800Vdc	25 to 630A	170M - Size 000 and 230	77-78
1000Vac/Vdc	25 to 500A	170M Series - Size 000 and 230	79-80
<b>Traction Fuse Links</b>			<b>81-107</b>
<b>Square Body</b>			
750Vdc	50 to 1600A	170M Series - Size 1*, 3 and 23	81-83
750Vdc	63 to 500A	170E Series - Size 1*, 1, 2 and 3	84-85
850Vdc/1250Vac	1400A	170M7217 - Size 4	86
1200Vdc	20 to 215A	170M Series - Size 1*	87
1200Vdc	160 to 420A	170F Series - Size 2	88
2000Vdc	10 to 100A	170E Series - Size 1*	89
2000Vdc	10 to 125A	170E Series - Size 1*	90-91
2000Vdc	20 to 600A	170M Series	92-94
2400Vdc	100 to 400A	170M Series - Size 3	95
4000Vdc	20 to 125A	170E Series - Size 1*	96
4000Vdc	20 to 450A	170E Series - Size 1*, 2 and 2/2	97-99
<b>Ferrule</b>			
750Vdc	5 to 60A	FWK Series	100
750Vdc	30 to 50A	LRC750 Series	101
1000Vdc - 1250-1400-2000Vac	2 to 30A	FWS and FWL Series	102
<b>Round Body</b>			
750Vdc	5 to 60A	KC36 Series	103
750Vdc	200 to 400A	RC Series	104
900Vdc	160 to 1000A	SF Series	105-106
1500Vdc	25 to 200A	NBC Series	107

## Table of Contents

<b>Photovoltaic Fuse Links</b>			<b>108-117</b>
600Vdc	4 to 30A	PVM Series	108
1000Vdc	1 to 20A	PV 10x38mm Series	109-110
1000/1100Vdc	15 to 32A	PV 14x51 Series	111
1300/1500Vdc	15 to 32A	PV 14x65 Series	112
1000Vdc	32 to 400A	PV NH Series	113-114
1000-1500Vdc	50 to 630A	PV XL Series	115-117
<b>Accessories</b>			<b>118-132</b>
Fuses Bases		Modular Styles	118
		Fixed Center	119
		NH	120
		PV XL Bases	121
		Ferrule - BM Series	122
		Ferrule - J70100 Series	123
Modular Fuse Holder		CH Series	124-125
		10x38mm	
		14x51mm	126-127
		22x58mm	128-129
Microswitches		Square Body	130-131
		BS88-4	132
<b>Index</b>			<b>133-134</b>

## North American Fuse Links

### FWA Series

130Vac (UL), 1000 to 4000A

#### Specifications

##### Description

North American style flush end high speed fuse links for the protection of DC common bus, DC drives, power converters/rectifiers and reduced voltage starters.

##### Technical Data

Rated Voltage: 130Vac (UL)

Rated Current: 1000-4000A

Breaking Capacity: 200kA RMS Sym at 130Vac, 50kA at 130Vdc

##### Standards/Agency Information

CE, UL Recognised on 1000-2000A fuse links.

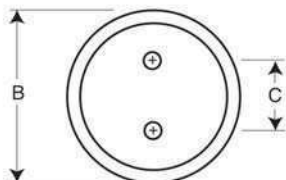
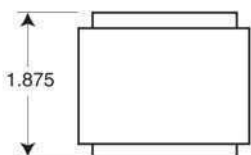


#### Catalogue Numbers

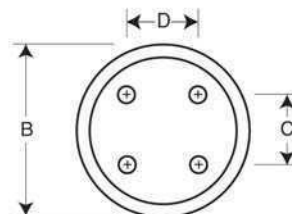
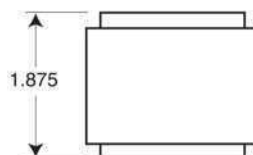
Catalogue Numbers	Rated Voltage	Rated Current (Amps)	I <sup>2</sup> t (A <sup>2</sup> Sec)		Watts Loss (W)
			Pre-Arcing	Clearing at 130Vac	
FWA-1000AH	130Vac (UL)	1000	170,000	460,000	60
FWA-1200AH		1200	270,000	730,000	70
FWA-1500AH		1500	520,000	1,400,000	78
FWA-2000AH		2000	860,000	2,400,000	108
FWA-2500AH		2500	1,500,000	4,100,000	130
FWA-3000AH		3000	2,100,000	5,700,000	150
FWA-4000AH		4000	3,400,000	9,200,000	257

#### Dimensions - in

##### 1000-3000A



##### 4000A



Rated Current (Amps)	B	C	D	Thread Depth
1000 to 2000	2	1	-	Tapped $\frac{3}{8}$ "-24 x $\frac{1}{2}$ " UNF
2500 to 3000	3	1.5	-	Tapped $\frac{1}{2}$ "-20 x $\frac{1}{2}$ " UNF
4000	3.5	1.5	1.5	Tapped $\frac{1}{2}$ "-20 x $\frac{1}{2}$ " UNF

1mm = 0.0394/1" = 25.4mm

Data Sheets: 720001, 5785301

## North American Fuse Links

### FWA Series

150Vac (UL), 70 to 1000A

#### Specifications

##### Description

North American style bolted tags high speed fuse links used for the protection of DC common bus, DC drives, power converters/rectifiers and reduced voltage starters.

##### Technical Data

Rated Voltage: 150Vac (UL)

Rated Current: 70-1000A

Breaking Capacity:

100kA RMS Sym. (70-400A)

200kA RMS Sym. (450-1000A)

20kA at 150Vdc (70-800A)

100kA at 80Vdc (70-1000A)



##### Standards/Agency Information

CE, UL Recognised.

##### Catalogue Numbers

Catalogue Numbers	Rated Voltage	Rated Current (Amps)	I <sup>2</sup> t (A <sup>2</sup> Sec)		Watts Loss (W)
			Pre-Arcing	Clearing at 150Vac	
FWA-70B	150Vac (UL)	70	470	4000	6.9
FWA-80B		80	670	6000	7.7
FWA-100B		100	1200	12,000	9
FWA-125B		125	1870	18,000	11.2
FWA-150B		150	2700	26,000	13.5
FWA-200B		200	4780	45,000	17.6
FWA-250B		250	7470	70,000	22.5
FWA-300B		300	10,760	100,000	27
FWA-350B		350	15,700	140,000	30.6
FWA-400B		400	20,300	180,000	35.2
FWA-500A		500	39,000	120,000	35
FWA-600A		600	46,000	140,000	47
FWA-700A		700	75,000	220,000	49
FWA-800A		800	92,000	280,000	58
FWA-1000A		1000	170,000	510,000	60

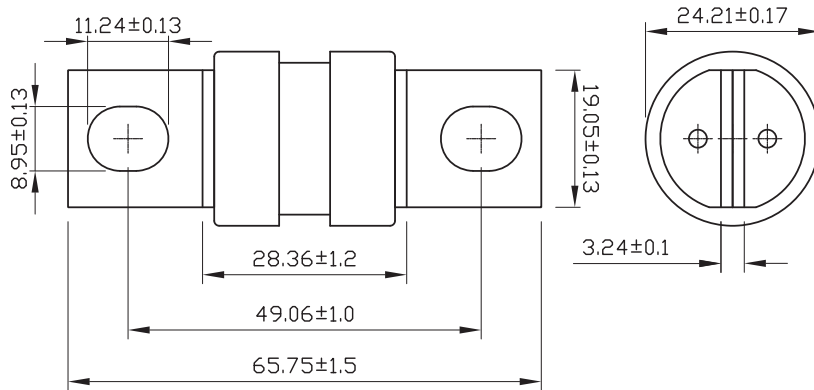
# North American Fuse Links

## FWA Series

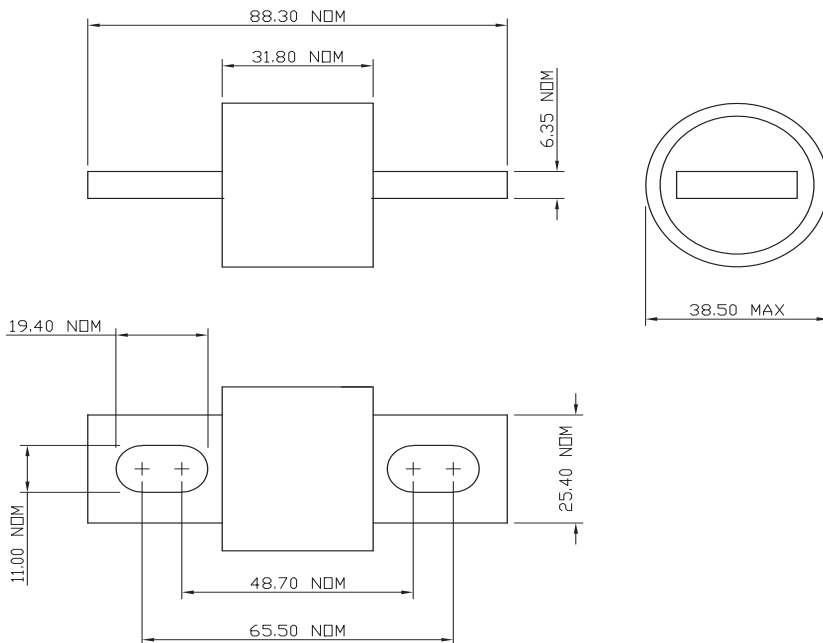
150Vac (UL), 70 to 1000A

### Dimensions - mm

#### 70-400A



#### 500-1000A





## North American Fuse Links

### FWX Series

250Vac (UL), 35 to 2500A

#### Specifications

##### Description

North American style bolted tags and flush end high speed fuse links for the protection of DC common bus, DC drives, power converters/rectifiers and reduced voltage starters.

##### Technical Data

Rated Voltage: 250Vac (UL)  
 Rated Current: 35-2500A  
 Breaking Capacity: 200kA RMS Sym.  
 20kA at 250Vdc (35-800A)



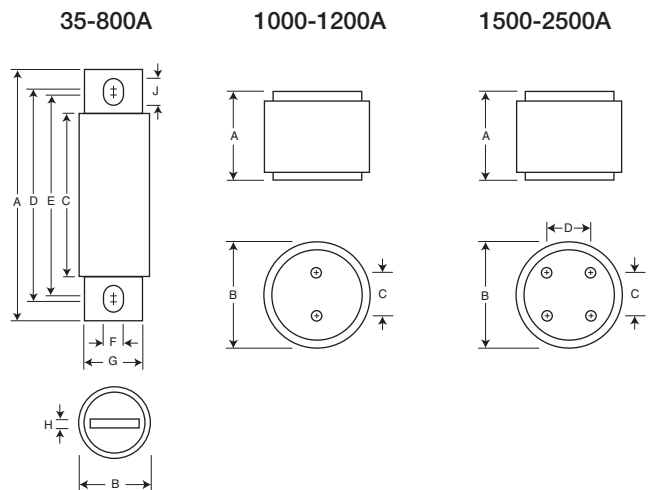
##### Standards/Agency Information

CE, UL Recognised and CSA Component Acceptance on 35-800A fuse links (20kA IR at 250Vdc).

##### Catalogue Numbers

Catalogue Numbers	Rated Voltage	Rated Current (Amps)	I <sup>2</sup> t (A <sup>2</sup> Sec)		Watts Loss (W)
			Pre-Arcing	Clearing at 250Vac	
FWX-35A	250Vac (UL)	35	50	230	4.2
FWX-40A		40	60	310	5.2
FWX-45A		45	80	390	5.7
FWX-50A		50	100	520	6
FWX-60A		60	140	740	8.1
FWX-70A		70	330	1400	7.2
FWX-80A		80	430	1850	8.1
FWX-90A		90	570	2450	9
FWX-100A		100	740	3150	10
FWX-125A		125	1130	4850	12.5
FWX-150A		150	1620	6950	15.7
FWX-175A		175	2170	9300	18.5
FWX-200A		200	2790	12,000	22
FWX-225A		225	3210	14,700	24
FWX-250A		250	3960	18,100	27
FWX-275A		275	4720	21,600	31
FWX-300A		300	6000	27,300	32
FWX-350A		350	10,600	48,600	39
FWX-400A		400	14,500	66,100	44
FWX-450A		450	22,100	101,000	49
FWX-500A	500	28,000	128,000	54	
FWX 600A	600	41,100	188,000	62	
FWX-700A	700	48,800	190,000	72	
FWX-800A	800	59,000	230,000	84	
FWX-1000AH	1000	44,000	360,000	100	
FWX-1200AH	1200	92,000	750,000	103	
FWX-1500AH	1500	120,000	880,000	140	
FWX-1600AH	1600	160,000	1,200,000	140	
FWX-2000AH	2000	320,000	2,300,000	151	
FWX-2500AH	2500	670,000	4,700,000	163	

#### Dimensions - in



Amp Range	A	B	C	D	E	F	G	H	J	Tapped Thread Depth
35-60	3.19	0.81	1.59	2.59	2.25	0.34	0.63	0.13	0.52	-
70-200	3.13	1.22	1.59	2.44	2.19	0.34	1	0.19	0.47	-
225-600	3.84	1.5	1.59	2.94	2.25	0.41	1	0.25	0.75	-
700-800	3.84	2	1.59	3.03	2.28	0.41	1.5	0.25	0.78	-
1000-1200	2.59	3	1.5	-	-	-	-	-	-	3/8"-24 x 1/2"UNF
1500-2500	2.59	3.5	1.5	1.5	-	-	-	-	-	

1mm = 0.0394" / 1" = 25.4mm

## North American Fuse Links

### FWH Series

500Vac (UL), 35 to 1600A

#### Specifications

##### Description

North American style bolted tags high speed fuse links, for the protection of DC common bus, power converters/rectifiers and reduced voltage starters.

##### Technical Data

Rated Voltage: 500Vac (UL)  
 Rated Current: 35-1600A  
 Breaking Capacity: 200kA RMS Sym.  
 50kA at 500Vdc



##### Standards/Agency Information

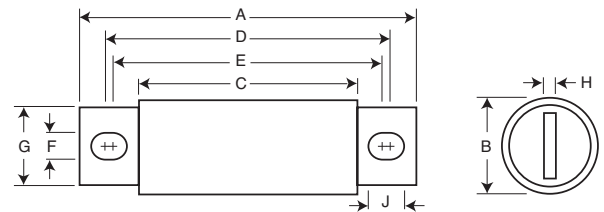
CE, UL Recognised and CSA Component Acceptance on 35-800A only (50kA IR at 500Vdc). UL Recognised on 35-1200A only, CSA Component Acceptance: 35-1600A.

##### Catalogue Numbers

Catalogue Numbers	Rated Voltage	Rated Current (Amps)	I <sup>2</sup> t (A <sup>2</sup> Sec)		Watts Loss (W)
			Pre-Arcing	Clearing at 250Vac	
FWH-35B	500Vac (UL)	35	34	150	8
FWH-40B		40	76	320	7.5
FWH-45B		45	105	450	7.5
FWH-50B		50	135	670	7.5
FWH-60B		60	210	900	9.9
FWH-70B		70	210	900	10.6
FWH-80B		80	305	1400	12.7
FWH-90B		90	360	1600	15
FWH-100B		100	475	2000	17
FWH-125B		125	800	3500	25
FWH-150B		150	1100	4600	30
FWH-175B		175	1450	6200	35
FWH-200B		200	1900	8500	40
FWH-225A		225	4600	23,300	39
FWH-250A		250	6300	32,200	41
FWH-275A		275	7900	40,300	46
FWH-300A		300	9800	49,800	51
FWH-325A		325	13,700	63,800	53
FWH-350A		350	14,500	72,900	58
FWH-400A		400	19,200	96,700	65
FWH-450A	450	24,700	127,000	74	
FWH-500A	500	29,200	149,000	84	
FWH-600A	600	41,300	206,000	108	
FWH-700A	700	55,000	298,000	120	
FWH-800A	800	76,200	409,000	129	
FWH-1000A	1000	92,000	450,000	145	
FWH-1200A	1200	122,000	600,000	180	
FWH-1400A	1400	200,000	1,000,000	210	
FWH-1600A	1600	290,000	1,400,000	230	

#### Dimensions - in

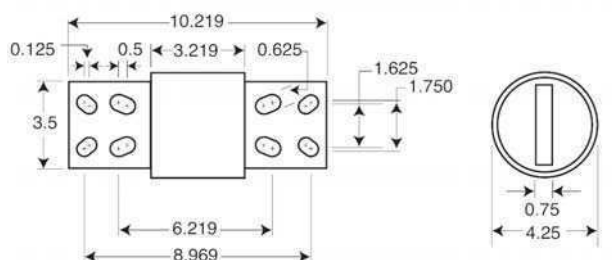
##### 35-1200A



Amp Range	A	B	C	D	E	F	G	H	J
35-60	3.19	0.81	1.59	2.54	2.19	0.34	0.72	0.13	0.52
70-100	3.62	0.95	1.74	2.85	2.81	0.35	0.75	0.13	0.38
125-200	3.62	1.16	1.84	2.89	2.77	0.34	1	0.19	0.41
225-400	4.34	1.5	2.09	3.44	2.75	0.41	1	0.25	0.75
450-600	14.34	2	2.09	3.53	2.78	0.41	1.5	0.25	0.78
700-800	6.34	2.5	2.09	4.97	3.44	0.53	2	0.38	1.30
1000-1200	6.97	3	3.22	5.47	4.48	0.62	2.38	0.44	1.12
1400-1600	refer to drawing								

1mm = 0.0394" / 1" = 25.4mm

##### 1400-1600A - in



Data Sheets: 720007, 360 (225-800A), 5785304 (35-200A, 1000-1600A)

## North American Fuse Links

### KAC Series

600Vac (UL), 1 to 1000A

#### Specifications

##### Description

North American style bolted tags high speed fuse links. These fuse links are supplied as replacements only. For new installations, Bussmann recommends the 700V FWP Series see pages 14-15.

##### Technical Data

Rated Voltage: 600Vac (UL)  
 Rated Current: 1-1000A  
 Breaking Capacity: 200kA RMS Sym.

##### Standards/Agency Information

CE, UL Recognised on 1-600A only.

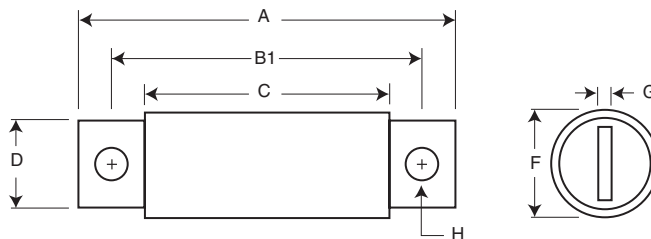


#### Catalogue Numbers

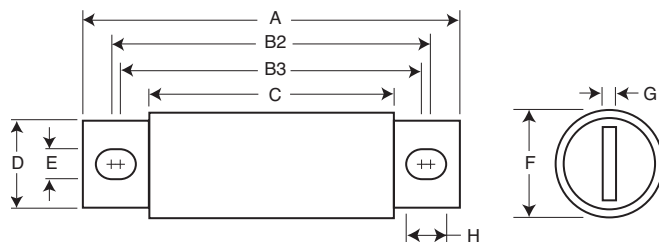
Catalogue Numbers	Rated Voltage	Rated Current (Amps)
KAC-1	600Vac (UL)	1
KAC-2		2
KAC-3		3
KAC-4		4
KAC-5		5
KAC-6		6
KAC-7		7
KAC-8		8
KAC-9		9
KAC-10		10
KAC-12		12
KAC-15		15
KAC-17.5		17.5
KAC-20		20
KAC-25		25
KAC-30		30
KAC-35		35
KAC-40		40
KAC-45		45
KAC-50		50
KAC-60	60	
KAC-70	70	
KAC-80	80	
KAC-90	90	
KAC-100	100	
KAC-110	110	
KAC-125	125	
KAC-150	150	
KAC-175	175	
KAC-200	200	
KAC-225	225	
KAC-250	250	
KAC-300	300	
KAC-350	350	
KAC-400	400	
KAC-450	450	
KAC-500	500	
KAC-600	600	
KAC-700	700	
KAC-800	800	
KAC-1000	1000	

#### Dimensions - in

##### 1-30 and 450-1000A



##### 35-400A



Rated Current (Amps)	A	B1	B2	B3	C	D	E	F	G	H
1-30	2.88	2.5	-	-	1.88	0.41	-	0.56	0.06	0.26
35-60	4.38	-	3.75	3.50	2.75	0.63	0.34	0.81	0.09	0.47
70-100	5	-	4.06	3.66	2.75	0.75	0.41	1	0.13	0.61
110-200	5.14	-	4.39	3.77	2.91	1	0.41	1.5	0.19	0.72
225-400	6.18	-	4.82	4.57	3	1.63	0.56	2	0.25	0.69
450-800	6.25	4.75	-	-	3.06	2	-	2.5	0.25	0.56
1000	7.25	4.75	-	-	3.06	2.75	-	3.5	0.38	0.56

1mm = 0.0394" / 1" = 25.4mm

## North American Fuse Links

### KBC Series

600Vac (UL), 35 to 800A

#### Specifications

##### Description

North American style bolted tags and flush-end high speed fuse links. These fuse links are supplied as replacements only. For new installations, Bussmann recommends the 700V FWP series fuse links, see pages 14-15.

##### Technical Data

Rated Voltage: 600Vac (UL)

Rated Current: 35-800A

Breaking Capacity: 200kA RMS Sym.

##### Standards/Agency Information

CE, UL Recognised 35-600A only.

##### Catalogue Numbers

Catalogue Numbers	Rated Voltage	Rated Current (Amps)
KBC-35	600Vac (UL)	35
KBC-40		40
KBC-45		45
KBC-50		50
KBC-60		60
KBC-70		70
KBC-80		80
KBC-90		90
KBC-100		100
KBC-110		110
KBC-125		125
KBC-150		150
KBC-175		175
KBC-200		200
KBC-225		225
KBC-250		250
KBC-300		300
KBC-350		350
KBC-400		400
KBC-450		450
KBC-500	500	
KBC-600	600	
KBC-800	800	





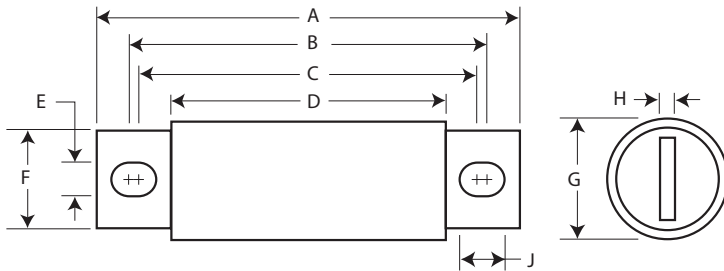
## North American Fuse Links

### KBC Series

600Vac (UL), 35 to 800A

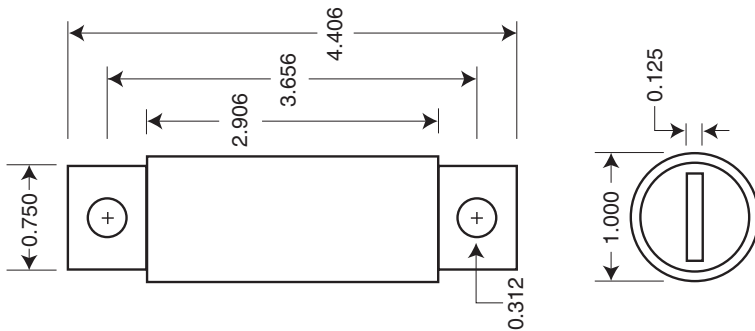
#### Dimensions - in

35-60 & 110-600A

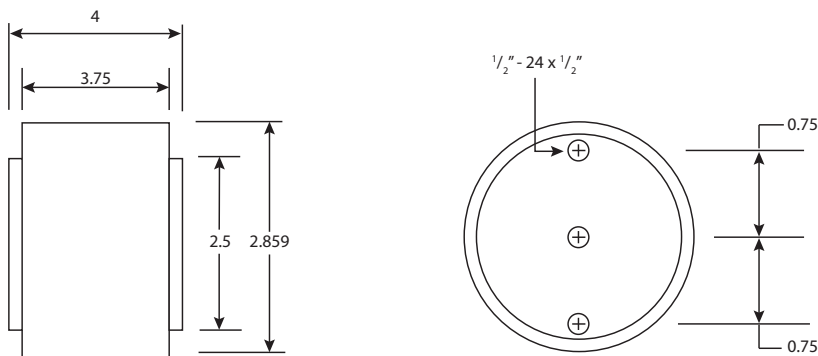


Rated Current (Amps)	A	B	C	D	E	F	G	H	J
35-60	4.38	3.75	3.50	2.75	0.34	0.63	0.81	0.09	0.47
70-100	Refer to drawing								
110-200	4.41	3.72	3.59	2.91	0.31	0.88	1.22	0.19	0.38
225-400	5.13	4.19	3.56	2.91	0.41	1	1.5	0.25	0.72
450-600	5.13	4.39	3.69	2.88	0.41	1.5	2	0.25	0.76
800	Refer to drawing								
1mm = 0.0394" / 1" = 25.4mm									

70-100A



800A



## North American Fuse Links

### FWP Series

700Vac (UL), 5 to 1200A

#### Specifications

##### Description

North American style bolted tags high speed fuse links for the protection of DC common bus, DC drives, power converters/rectifiers, reduced voltage starters.

##### Technical Data

Rated Voltage: 700Vac (UL)  
 Rated Current: 5-1200A  
 Breaking Capacity: 200kA RMS Sym.  
 50kA at 700Vdc



##### Standards/Agency Information

CE, UL Recognised on 5-800A only.

##### Catalogue Numbers

Catalogue Numbers	Rated Voltage	Rated Current (Amps)	I <sup>2</sup> t (A <sup>2</sup> Sec)		Watts Loss (W)
			Pre-Arcing	Clearing at 700Vac	
FWP-5B	700Vac (UL)	5	1.6	11	1.5
FWP-10B		10	3.6	22	4
FWP-15B		15	10	70	5.5
FWP-20B		20	26	180	6
FWP-25B		25	44	320	7
FWP-30B		30	58	450	9
FWP-35B		35	34	160	12
FWP-40B		40	76	320	12
FWP-50B		50	135	600	12
FWP-60B		60	210	950	15.5
FWP-70B		70	305	2000	18
FWP-80B		80	360	2400	21
FWP-90B		90	415	2700	25
FWP-100B		100	540	3500	27
FWP-125A		125	1800	7300	28
FWP-150A		150	2900	11,700	32
FWP-175A		175	4200	16,700	35
FWP-200A		200	5500	22,000	43
FWP-225A		225	7700	31,300	45
FWP-250A		250	10,500	42,500	48
FWP-300A		300	17,600	71,200	58
FWP-350A		350	23,700	95,600	65
FWP-400A		400	31,000	125,000	78
FWP-450A		450	36,400	137,000	94
FWP-500A		500	45,200	170,000	107
FWP-600A		600	66,700	250,000	122
FWP-700A		700	54,000	300,000	125
FWP-800A		800	78,000	450,000	140
FWP-900A		900	91,500	530,000	150
FWP-1000A		1000	120,000	600,000	170
FWP-1200A	1200	195,000	1,100,000	190	

Data Sheets: 720012, 5785316 (5-30A), 361 (125-600A), 5785308 (35-100A, 700-1200A)

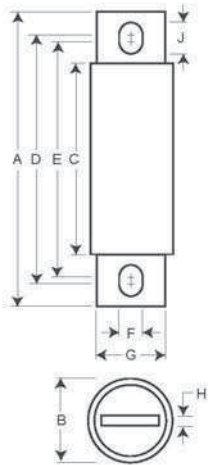
## North American Fuse Links

### FWP Series

700Vac (UL), 5 to 1200A

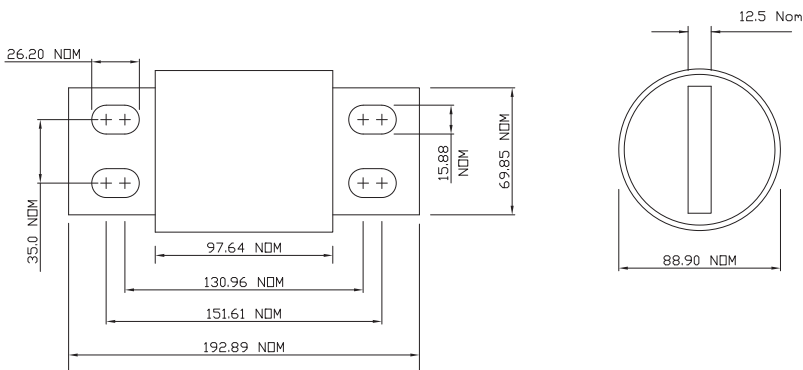
#### Dimensions

5-800A - in

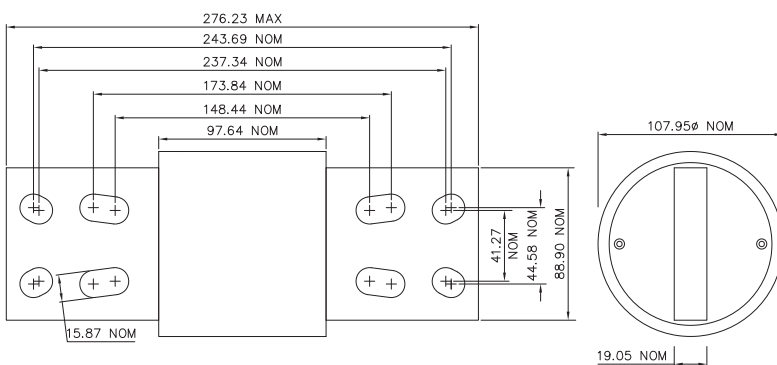


Amp Range	A	B	C	D	E	F	G	H	J
5-30	2.87	0.56	1.86	2.48	2.48	0.25	0.41	0.06	0.25
35-60	4.38	0.81	2.75	3.71	3.31	0.34	0.73	0.13	0.54
70-100	4.41	0.95	2.59	3.63	3.56	0.34	0.75	0.13	0.38
125-200	5.09	1.5	2.84	4.19	3.5	0.41	1	0.25	0.75
225-400	5.09	2	2.84	4.28	3.53	0.41	1.5	0.25	0.78
450-600	7.09	2.5	2.84	5.72	4.19	0.53	2	0.38	1.3
700-800	6.63	2	2.76	5.56	5.06	0.63	1.5	0.25	0.88
900-1000	Refer to drawing								
1200	Refer to drawing								
1mm = 0.0394" / 1" = 25.4mm									

900-1000A - mm



1200A - mm



Data Sheets: 720012, 5785316 (5-30A), 361 (125-600A), 5785308 (35-100A, 700-1200A)

## North American Fuse Links

### FWJ Series

1000Vac (UL), 35 to 2000A

#### Specifications

##### Description

North American style bolted tags high speed fuse links for the protection of DC common bus, DC drives power converters/rectifiers, reduced voltage starters.

##### Technical Data

Rated Voltage: 1000Vac (UL)  
 Rated Current: 35-2000A  
 Breaking Capacity: 25kA RMS Sym. (35-200A)  
 100kA RMS Sym. (250-2000A)  
 50kA at 800Vdc (35-200A and 450-600A)



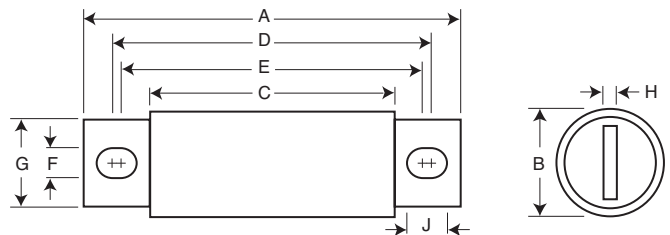
##### Standards/Agency Information

CE, UL Recognised on 35-600A only.

##### Catalogue Numbers

Catalogue Numbers	Rated Voltage	Rated Current (Amps)	I <sup>2</sup> t (A <sup>2</sup> Sec)		Watts Loss (W)
			Pre-Arcing	Clearing at 1000Vac	
FWJ-35A	1000Vac (UL)	35	210	2000	7
FWJ-40A		40	300	2500	8
FWJ-50A		50	470	3500	10
FWJ-60A		60	670	5000	11
FWJ-70A		70	1100	6900	12
FWJ-80A		80	1550	9700	13
FWJ-90A		90	1900	12,000	14
FWJ-100A		100	2800	17,500	15
FWJ-125A		125	4800	35,000	16
FWJ-150A		150	6300	45,000	25
FWJ-175A		175	7500	65,000	30
FWJ-200A		200	11,700	80,000	32
FWJ-250A		250	16,000	112,000	50
FWJ-300A		300	23,500	164,000	56
FWJ-350A		350	33,000	231,000	62
FWJ-400A		400	47,000	330,000	67
FWJ-500A		500	39,500	329,000	95
FWJ-600A		600	61,000	520,000	105
FWJ-800A		800	87,000	500,000	182
FWJ-1000A		1000	190,000	1,100,000	206
FWJ-1200A	1200	370,000	2,100,000	240	
FWJ-1400A	1400	470,000	2,700,000	248	
FWJ-1600A	1600	700,000	4,000,000	267	
FWJ-1800A	1800	925,000	5,300,000	239	
FWJ-2000A	2000	1,330,000	7,600,000	244	

#### Dimensions - in



Amp Range	A	B	C	D	E	F	G	H	J
35-60	5	0.94	3.11	4.24	4.18	0.35	0.75	0.13	0.38
70-100	4.93	1.13	3.09	4.27	4.16	0.35	1	0.19	0.41
125-200	5.69	1.53	3.26	4.80	4.06	0.45	1	0.25	0.82
250-400	5.77	2	3.5	4.81	4.15	0.43	1.5	0.25	0.76
500-600	7.2	2.5	3.47	5.98	4.71	0.56	2	0.38	1.2
800-2000	6.81	3.5	3.31	5.47	4.96	0.63	2.75	0.5	0.88

1mm = 0.0394" / 1" = 25.4mm



## British Standard BS88 Fuse Links

### LCT, LET Series

240Vac/150Vdc (IEC), 250-280Vac/150Vdc (UL), 6 to 180A

#### Specifications

##### Description

BS88 style bolted tags fuse high speed links for the protection of DC common bus, DC drives, power converters/rectifiers and reduced voltage starters. Low watts loss in a compact size.

##### Technical Data

Rated Voltage: LCT 240Vac/150Vdc (IEC); 250Vac/150Vdc (UL)  
LET 280Vac/150Vdc (UL, 25-160A)  
250Vac/150Vdc (UL 180A)

Rated Current: 6-180A

Breaking Capacity: 200kA RMS Sym.  
50kA DC at 125Vdc



Operating Class: aR

##### Standards/Agency Information

CE, designed and tested to BS88 part 4, IEC 60269 Part 4, UL Recognised and CCC (LCT only). All fuse links have been tested at 318Vac. Consult Cooper Bussmann for specific UL Recognition status.

##### Catalogue Numbers

Catalogue Numbers	Fuse Link Type	Rated Voltage	Rated Current (Amps)	I <sup>2</sup> t (A <sup>2</sup> Sec)		Watts Loss (W)
				Pre-Arcing	Clearing at 240Vac	
6LCT	LCT	240Vac/ 150Vdc (IEC)	6	2	9	1
10LCT			10	3.8	22	2.5
12LCT			12	7	32	2.5
16LCT		250Vac/ 150Vdc (UL)	16	20	100	2.5
20LCT			20	25	160	4
25LET	LET	280Vac/ 150Vdc (UL)	25	18	250	4
32LET			32	32	450	5
35LET			35	50	600	5
50LET			50	100	1400	7
63LET			63	180	2200	9
80LET			80	300	3800	10
100LET			100	600	7500	10
125LET			125	600	7500	16
160LET			160	1100	16,000	20
180LET		250Vac/ 150Vdc (UL)	180	1600	29,000	21

Note: 7LET, 10LET, 12LET and 16LET are available for replacement purposes on existing equipment.

Data Sheets: 720004, 5785296 (LCT), 5785293 (LET)

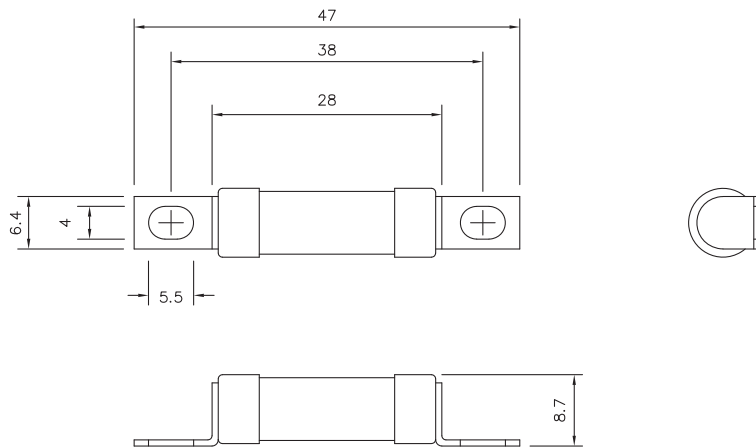
## British Standard BS88 Fuse Links

### LCT, LET Series

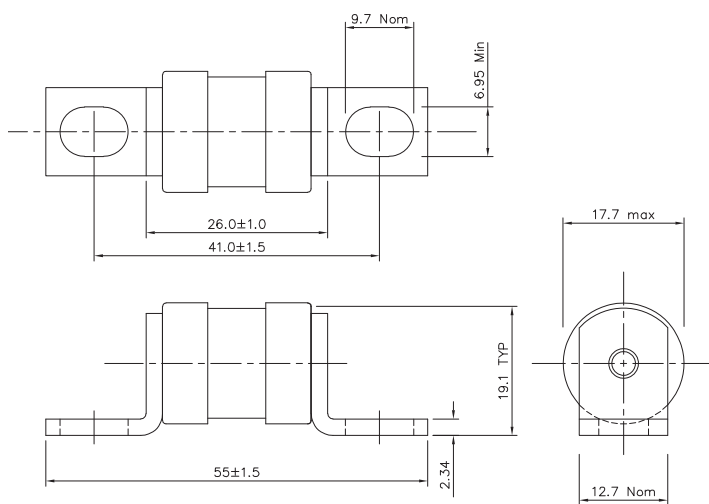
240Vac/150Vdc (IEC), 250-280Vac/150Vdc (UL), 6 to 180A

#### Dimensions - mm

##### LCT



##### LET



Indicator (optional)

## British Standard BS88 Fuse Links

### LMT, LMMT Series

240Vac/150Vdc (IEC), 250Vac/150Vdc (UL), 160 to 900A

#### Specifications

##### Description

BS88 style bolted tags high speed fuse links for the protection of DC common bus, DC drives, power converters/rectifiers and reduced voltage starters. Low watts loss in a compact size.

##### Technical Data

Rated Voltage: 240Vac/150Vdc (IEC); 250Vac/150Vdc (UL)  
 Rated Current: 160-900A  
 Breaking Capacity: 200kA RMS Sym., 40kA at 150Vdc (IEC)  
 200kA RMS Sym., 50kA at 150Vdc (UL)

Operating Class: aR

##### Standards/Agency Information

CE, designed and tested to BS88 part 4, IEC 60269 Part 4, UL Recognised and CCC. All fuse links have been tested at 318Vac. Consult Cooper Bussmann for specific UL Recognition status.

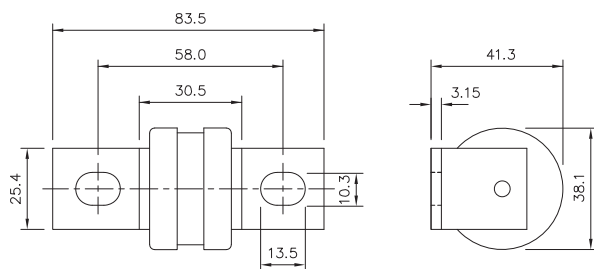


#### Catalogue Numbers

Catalogue Numbers	Fuse Link Type	Rated Voltage	Rated Current (Amps)	I <sup>2</sup> t (A <sup>2</sup> Sec)			Watts Loss (W)
				Pre-Arcing	Clearing at 120Vac	Clearing at 240Vac	
160LMT	LMT	240Vac/ 150Vdc (IEC)	160	1100	7000	16,000	17
200LMT			200	1500	10,000	20,000	28
250LMT			250	3200	20,000	40,000	28
315LMT			315	6000	35,000	75,000	35
355LMT			355	8000	50,000	100,000	35
400LMT			400	14,000	70,000	160,000	40
450LMT			450	18,000	100,000	220,000	42
400LMMT	LMMT	250Vac/ 150Vdc (UL)	400	6000	35,000	80,000	60
500LMMT			500	14,000	80,000	170,000	64
630LMMT			630	24,000	150,000	300,000	75
710LMMT			710	32,000	200,000	460,000	77
800LMMT			800	52,000	300,000	600,000	82
900LMMT			900	75,000	400,000	800,000	97

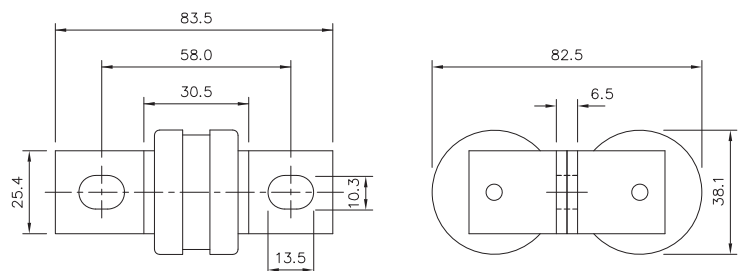
#### Dimensions - mm

##### LMT



Indicator (optional)

##### LMMT



Indicator (optional)

Data Sheets: 720004, 5785294 (LMT), 5785295 (LMMT)

## British Standard BS88 Fuse Links

### CT, ET, FE, EET, FEE Series

690Vac/500Vdc (IEC), 700Vac/500Vdc (UL), 6 to 200A

#### Specifications

##### Description

BS88 style bolted tags high speed fuse links for the protection of DC common bus, DC drives, power converters/rectifiers and reduced voltage starters.

##### Technical Data

Rated Voltage: 690Vac/500Vdc (IEC); 700Vac/500Vdc (UL)

Rated Current: 6-200A

Breaking Capacity:

CT: 90kA RMS Sym., 40kA at 500 Vdc (IEC)

200kA RMS Sym., 50kA at 500 Vdc (UL)

ET, EET, FE and FEE: 200kA RMS Sym., 50kA at 500 Vdc



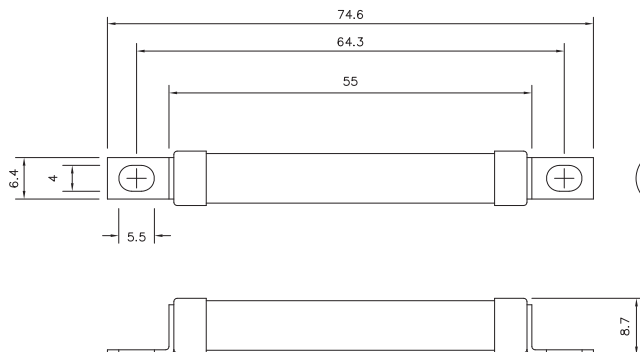
Operating Class: aR

##### Standards/Agency Information

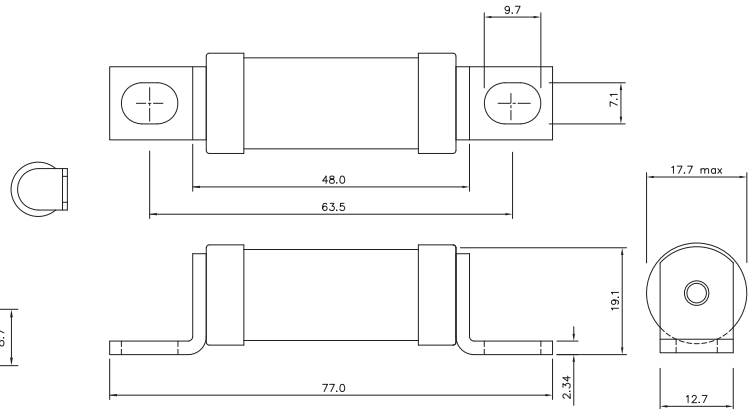
CE, designed and tested to BS88 part 4, IEC 60269 Part 4, Consult Cooper Bussmann for specific UL Recognition status. CCC for ET, FE, EET, FEE.

#### Dimensions - mm

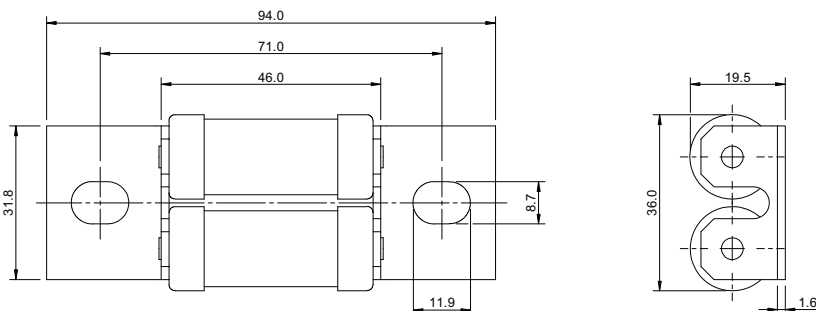
##### CT



##### ET, FE



##### EET, FEE



Data Sheets: 5785312 (CT, ET), 5785314 (FE), 5785313 (EET), 5785292 (FEE)



## British Standard BS88 Fuse Links

CT, ET, FE, EET, FEE Series

690Vac/500Vdc (IEC), 700Vac/500Vdc (UL), 6 to 200A

### Catalogue Numbers

Catalogue Numbers	Fuse Link Type	Rated Voltage	Rated Current (Amps)	I <sup>2</sup> t (A <sup>2</sup> Sec)			Watts Loss (W)
				Pre-Arcing	Clearing at 415Vac	Clearing at 660Vac	
6CT	CT	690Vac/ 500Vdc (IEC)  700Vac/ 500Vdc (UL)	6	1.8	8.5	12	2
10CT			10	7	30	48	3
12CT			12	10	40	65	3
16CT			16	16	66	110	7
20CT			20	32	150	220	7
25ET	ET		25	25	150	250	7
32ET			32	32	190	350	11
35ET			35	52	310	500	11
40ET			40	103	600	900	9
45ET			45	103	680	1100	11
56ET			56	135	950	1500	14
63ET			63	171	1200	2000	16
80ET			80	360	2500	4000	18
35FE	FE		35	33	130	200	9
40FE			40	52	180	300	9
45FE			45	76	270	450	11
50FE			50	103	380	600	11
63FE			63	135	480	750	12
71FE			71	210	600	950	17
80FE			80	250	900	1500	20
90FE		90	360	1300	2100	20	
100FE		100	470	1800	2800	23	
90EET		EET	90	490	300	4500	19
110EET	110		600	4000	6500	27	
140EET	140		1050	7000	12,000	35	
160EET		160	1500	10,000	17,000	39	
100FEE	FEE	100	400	1600	2400	24	
120FEE		120	540	1900	3100	32	
140FEE		140	850	2500	3800	36	
160FEE		160	1000	3700	5700	46	
180FEE		180	1400	5300	8400	46	
200FEE		200	1900	7100	11,400	52	

Note: FC, 8ET, 12ET, 15ET, 20ET, 65EET and 75EET are available for replacement purposes on existings equipment.

## British Standard BS88 Fuse Links

### FM, FMM, MT, MMT Series

690Vac/350-450Vdc (IEC), 700Vac/500Vdc (UL), 160 to 710A

#### Specifications

##### Description

BS88 style bolted tags high speed fuse links for the protection of DC common bus, DC drives, power converters/rectifiers and reduced voltage starters.

##### Technical Data

Rated Voltage: FM: 690Vac/450Vdc (IEC); 700Vac/500Vdc (UL)  
 FMM: 690Vac/450Vdc (IEC); 700Vac (UL)  
 MT and MMT: 690Vac/350Vdc (IEC); 700Vac (UL)

Rated Current: 160-710A

##### Breaking Capacity:

FM: 200kA RMS Sym. (IEC/UL), 40kA at 450Vdc (IEC), 50kA at 500Vdc (UL)  
 FMM: 200kA RMS Sym. (IEC/UL), 40kA at 450Vdc (IEC)  
 MT & MMT: 200kA RMS Sym. (IEC/UL), 40kA at 350Vdc (IEC)

Operating Class: aR

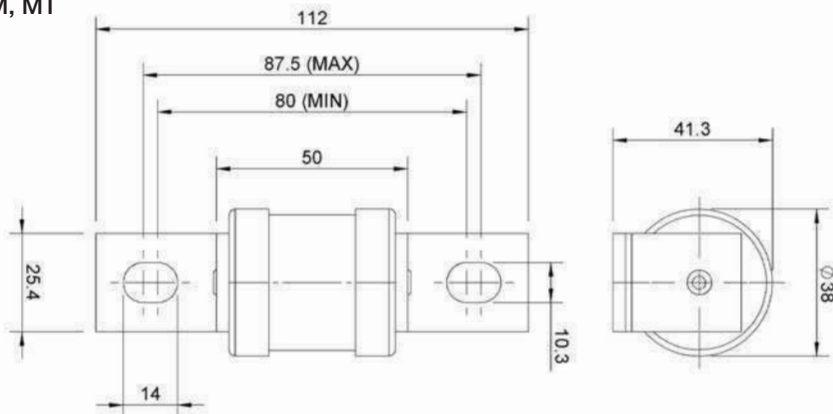
##### Standards/Agency Information

CE, designed and tested to BS88 part 4, IEC 60269 Part 4, UL Recognised.  
 MT and MMT 350Vdc (IEC) rating. Consult Cooper Bussmann for specific UL Recognition status. CCC for FM and FMM.



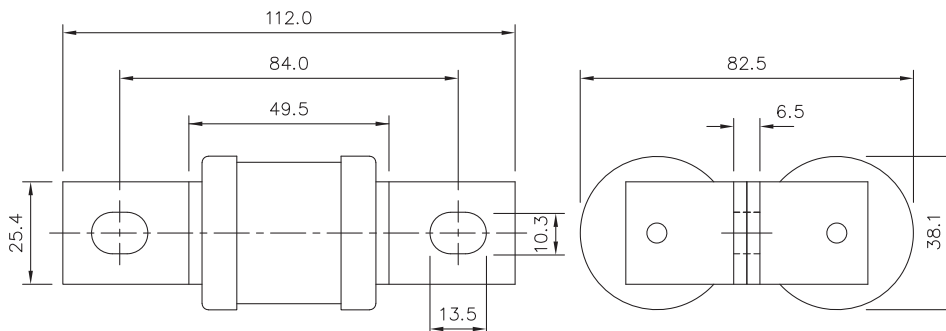
#### Dimensions - mm

##### FM, MT



Indicator (optional)

##### FMM, MMT



Indicator (optional)

Data Sheets: 5785314 (FM), 5785313 (MT), 5785292 (FMM), 5785311 (MMT)

## British Standard BS88 Fuse Links

## FM, FMM, MT, MMT Series

690Vac/350-450Vdc (IEC), 700Vac/500Vdc (UL), 160 to 710A

## Catalogue Numbers

Catalogue Numbers	Fuse Link Type	Rated Voltage	Rated Current (Amps)	I <sup>2</sup> t (A <sup>2</sup> Sec)			Watts Loss (W)
				Pre-Arcing	Clearing at 415Vac	Clearing at 660Vac	
180FM	FM	690Vac/ 450Vdc (IEC)	180	1400	7500	13,500	40
200FM			200	2600	10,500	18,500	40
225FM			225	3700	14,500	26,500	44
250FM		250	5200	20,500	37,500	48	
280FM		700Vac/ 500Vdc (UL)	280	7000	30,500	55,000	48
315FM			315	10,000	40,000	77,000	55
350FM			350	15,000	60,000	105,000	55
400FMM	FMM	690Vac/ 450Vdc (IEC)	400	10,000	40,000	72,500	85
450FMM			450	15,000	60,000	105,000	90
500FMM			500	20,000	82,000	150,000	100
550FMM		700Vac (UL)	550	30,000	120,000	215,000	100
630FMM			630	45,000	180,000	310,000	100
700FMM			700	60,000	245,000	420,000	120
160MT	MT		160	2400	15,000	25,000	26
180MT			180	3800	25,000	38,000	26
200MT			200	6000	40,000	58,000	27
250MT			250	11,500	80,000	110,000	32
280MT			280	16,500	100,000	150,000	35
315MT			315	19,000	125,000	180,000	42
355MT			355	22,000	160,000	200,000	51
180MMT	MMT	690Vac/ 350Vdc (IEC)	180	1650	12,000	18,000	42
200MMT			200	2200	16,000	23,000	42
225MMT			225	3700	26,000	40,000	42
280MMT		700Vac (UL)	280	6600	47,000	70,000	47
315MMT			315	8600	62,000	91,000	51
355MMT			355	13,500	97,000	140,000	54
400MMT			400	21,000	150,000	220,000	60
450MMT			450	30,000	220,000	320,000	57
500MMT			500	42,000	300,000	450,000	64
560MMT			560	60,000	430,000	640,000	64
630MMT			630	68,500	500,000	720,000	86
710MMT	710	78,000	600,000	850,000	105		

## Ferrule Fuse Links

10x38mm and 21x51mm, FWA Series  
150Vac/Vdc (UL), 5 to 60A

### Specifications

#### Description

Ferrule style high speed fuse links for the protection of DC common bus, DC drives, power converters/rectifiers and reduced voltage starters.

#### Technical Data

Rated Voltage: 150Vac/dc (UL)  
Rated Current: 5-60A  
Breaking Capacity: 200kA RMS Sym., 50kA DC at 150Vdc

Operating Class: aR

#### Standards/Agency Information

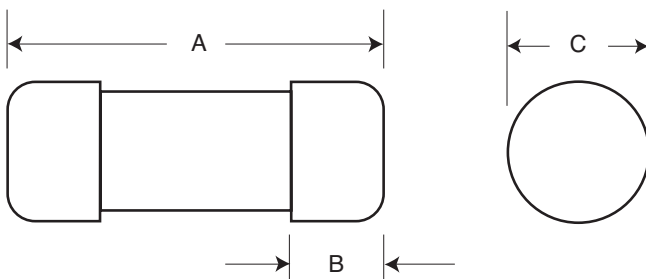
CE, UL Recognised.

#### Catalogue Numbers



Catalogue Numbers	Fuse Link Size	Rated Voltage	Rated Current (Amps)	I <sup>2</sup> t (A <sup>2</sup> Sec)		Watts Loss (W)
				Pre-Arcing	Clearing at 150Vac	
FWA-5A10F	10x38mm ( <sup>13</sup> / <sub>32</sub> " x 1 <sup>1</sup> / <sub>2</sub> " )	150Vac/Vdc (UL)	5	1.6	8	2
FWA-10A10F			10	3.6	16	2.7
FWA-15A10F			15	14	50	3.3
FWA-20A10F			20	33	130	3.8
FWA-25A10F			25	58	220	4.9
FWA-30A10F			30	100	400	4.9
FWA-35A21F	21x51mm ( <sup>13</sup> / <sub>16</sub> " x 2" )		35	75	800	4.5
FWA-40A21F			40	100	1000	5.1
FWA-45A21F			45	130	1300	6
FWA-50A21F			50	170	1600	7.3
FWA-60A21F			60	250	2400	8

#### Dimensions - in (mm)



Amp Range	A	B	C
5-30	1.5 (38.1)	0.38 (9.5)	0.41 (10.3)
35-60	2 (50.8)	0.63 (15.9)	0.81 (20.6)

Data Sheets: 720003,5785317 (5-30A), 5785305 (35-60A)

## Ferrule Fuse Links

14x51mm, FWX Series  
250Vac/Vdc (UL), 1 to 50A

### Specifications

#### Description

Ferrule style high speed fuse links for the protection of DC common bus, DC drives, power converters/rectifiers voltage starters.

#### Technical Data

Rated Voltage: 250Vac (UL, all ratings); 250Vdc (UL, 5-50A only)

Rated Current: 1-50A

Breaking Capacity: 200kA RMS Sym. (UL, all ratings), 50kA at 250Vdc (UL, 5-30A only)

Operating Class: aR

#### Standards/Agency Information

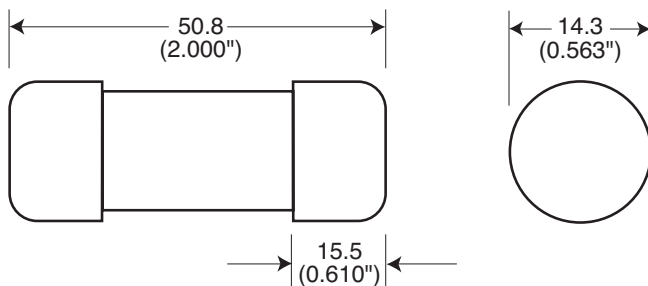
CE, UL Recognised 1-50A & CSA Component Acceptance: 5-30A.

#### Catalogue Numbers

Catalogue Numbers	Fuse Link Size	Rated Voltage	Rated Current (Amps)	I <sup>2</sup> t (A <sup>2</sup> Sec)		Watts Loss (W)
				Pre-Arcing	Clearing at 250Vac	
FWX-1A14F	14x51mm ( <sup>9</sup> / <sub>16</sub> " x 2")	250Vac (UL)	1	0.03	0.4	5.7
FWX-2A14F			2	0.08	0.1	8.6
FWX-3A14F			3	0.11	0.26	2.8
FWX-4A14F			4	0.1	0.23	3
FWX-5A14F		250Vac/Vdc (UL)	5	1.6	13	1.3
FWX-10A14F			10	3.6	24	3.4
FWX-15A14F			15	14	83	3.8
FWX-20A14F			20	33	200	4.6
FWX-25A14F			25	58	300	5.3
FWX-30A14F			30	100	500	5.9
FWX-50A14F			50	200	1800	5.7



#### Dimensions - mm (in)



## Ferrule Fuse Links

6x32mm, FWH Series  
500Vac (UL), 0.25 to 30A

### Specifications

#### Description

Ferrule style high speed fuse links for the protection of DC common bus, DC drives, power converters/rectifiers and reduced voltage starters.

#### Technical Data

Rated Voltage: 500Vac (UL), 600Vdc (UL, 2A and 5A only)  
 Rated Current: 0.25-30A  
 Breaking Capacity: 50kA (0.25-20A)  
 20kA (25-30A)<sup>1</sup>  
 50kA at 600Vdc (UL 2 and 5A only)

Operating Class: aR

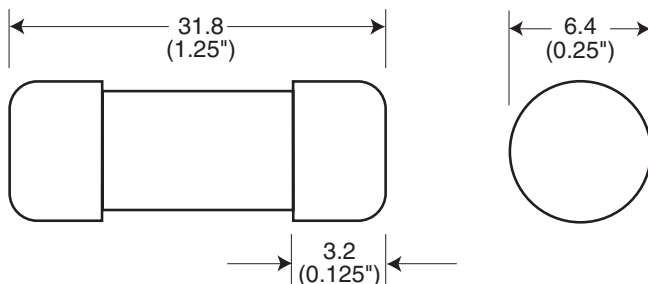
#### Standards/Agency Information

CE, UL Recognised 0.25-30A including 2A at 1000Vac, CSA Component Acceptance: 0.25-7A.

#### Catalogue Numbers

Catalogue Numbers	Fuse Link Size	Rated Voltage	Rated Current (Amps)	I <sup>2</sup> t (A <sup>2</sup> Sec)		Watts Loss (W)
				Pre-Arcing	Clearing at 500Vac	
FWH--250A6F	6x32mm (1/4" x 1 1/4")	500Vac (UL)	0.25	0.01	0.05	2.7
FWH--500A6F			0.5	0.05	0.25	1.2
FWH-001A6F			1	0.4	2	1.7
FWH-002A6F		500Vac/600Vdc (UL)	2	1.3	3.5	3.2
FWH-3-15A6F		500Vac (UL)	3.15	3.1	7.7	2.9
FWH-005A6F		500Vac/600Vdc (UL)	5	15	40	2.1
FWH-6-30A6F		500Vac (UL)	6.3	36	90	2.3
FWH-007A6F			7	50	125	2.5
FWH-010A6F			10	9.9	139	2.86
FWH-12-5A6F			12.5	20	60	3.53
FWH-015A6F			15	44	146	3.08
FWH-016A6F			16	48	177	4.48
FWH-020A6F			20	75	259	4.26
FWH-025A6F			25	126	345	-
FWH-030A6F			30	145	430	-

#### Dimensions - mm (in)



<sup>1</sup> Tested at PF = 76%.

Data Sheets: 720038, 5785256 (0.25-7A), 50955 (10-30A)



## Ferrule Fuse Links

14x51mm, FWH Series  
500Vac/Vdc (UL), 1 to 30A

### Specifications

#### Description

Ferrule style high speed fuse links for the protection of DC common bus, DC drives, power converters/rectifiers and reduced voltage starters.

#### Technical Data

Rated Voltage: 500Vac (UL, all ratings), 500Vdc (UL, 5-30A only)

Rated Current: 1-30A

Breaking Capacity: 200kA RMS Sym. all ratings, 50kA at 500Vdc 5-30A only

Operating Class: aR

#### Standards/Agency Information

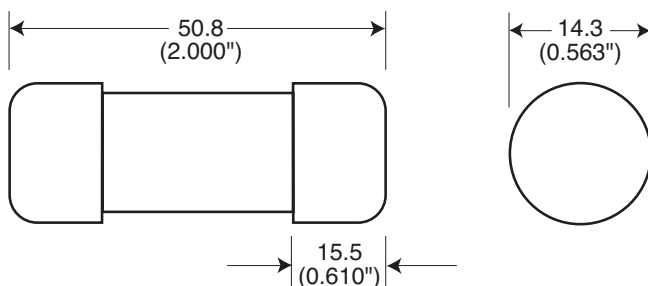
CE, UL Recognised 1-30A & CSA Component Acceptance: 5-30A.

#### Catalogue Numbers



Catalogue Numbers	Fuse Link Size	Rated Voltage	Rated Current (Amps)	I <sup>2</sup> t (A <sup>2</sup> Sec)		Watts Loss (W)
				Pre-Arcing	Clearing at 500Vac	
FWH-1A14F	14x51mm ( <sup>9</sup> / <sub>16</sub> " x 2")	500Vac (UL)	1	0.03	0.4	5.7
FWH-2A14F			2	0.08	0.1	8.6
FWH-3A14F			3	0.11	0.26	2.8
FWH-4A14F			4	0.1	0.23	3
FWH-5A14F		500Vac/Vdc (UL)	5	1.6	6.4	1.5
FWH-6A14F			6	1.6	6.4	1.5
FWH-10A14F			10	3.6	13	4
FWH-12A14F			12	6.5	25	4.3
FWH-15A14F			15	10.4	40	5.5
FWH-20A14F			20	26	105	6
FWH-25A14F			25	46.5	191	7
FWH-30A14F			30	58	232	9

#### Dimensions - mm (in)



## Ferrule Fuse Links

### 10x38mm, FWC Series

600-700Vac/700Vdc (UL), 1 to 32A

#### Specifications

##### Description

Ferrule style high speed fuse links for the protection of DC common bus, DC drives, power converters/rectifiers and reduced voltage starters.

##### Technical Data:

Rated Voltage: 700Vac/dc (UL, 1-4A)  
600Vac (UL, 6-32A), 700Vdc (UL, 6-25A)  
Rated Current: 1-32A  
Breaking Capacity:  
200kA RMS Sym. at 600Vac (6-32A)  
200kA RMS Sym. at 700Vac (1-4A)  
10kA DC at 700Vdc (1-25A)



Operating Class: aR

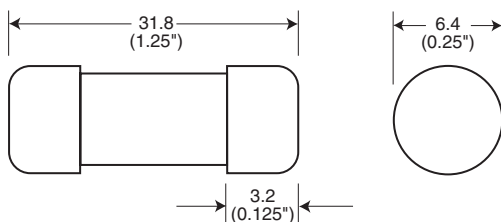
##### Standards/Agency Information

CE, UL Recognised: 6-32A.

##### Catalogue Numbers

Catalogue Numbers	Fuse Link Size	Rated Voltage	Rated Current (Amps)	I <sup>2</sup> t (A <sup>2</sup> Sec)		Watts Loss (W)
				Pre-Arcing	Clearing at 600Vac	
FWC-1A10F	10x38mm (1 <sup>3</sup> / <sub>32</sub> " x 1 <sup>1</sup> / <sub>2</sub> " )	700Vac/Vdc (UL)	1	0.2	1.2	0.5
FWC-2A10F			2	0.5	3	1.2
FWC-3A10F			3	1.6	11	1.5
FWC-4A10F			4	5.2	32	1.5
FWC-6A10F		600Vac/ 700Vdc (UL)	6	4	30	1.5
FWC-8A10F			8	6	50	2
FWC-10A10F			10	9	70	2.5
FWC-12A10F			12	15	120	3
FWC-16A10F			16	25	150	3.5
FWC-20A10F			20	34	260	4.8
FWC-25A10F		600Vac (UL)	25	60	390	6
FWC-32A10F			32	85	600	7.5

##### Dimensions - mm (in)



Data Sheets: 720011, 5785306

## Ferrule Fuse Links

### 14x51mm, FWP Series

690Vac (IEC), 700Vac (UL), 600-800Vdc (UL), 1 to 50A

#### Specifications

##### Description:

Ferrule style high speed fuse links for the protection of DC common bus, DC drives, power converters/rectifiers and reduced voltage starters. Available with or without striker.

##### Technical Data:

Rated Voltage: Without striker: see table  
With striker: 700Vac/600Vdc (UL)

Rated Current: 1-50A

Breaking Capacity: 200kA RMS Sym., 50kA at 800Vdc (5-50A non striker version), 600Vdc for striker version.



Operating Class: aR

##### Standards/Agency Information

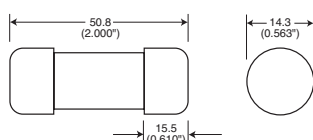
CE, UL Recognised 1-30A & CSA Component Acceptance for versions without striker only.

##### Catalogue Numbers

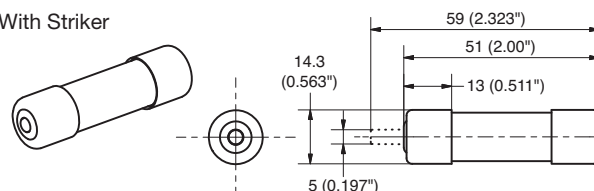
Catalogue Numbers	Fuse Link Type	Fuse Link Size	Rated Voltage	Rated Current (Amps)	I <sup>2</sup> t (A <sup>2</sup> Sec)		Watts Loss (W)		
					Pre-Arcing	Clearing at 700Vac			
FWP-1A14F	Without Striker	14x51mm ( <sup>9</sup> / <sub>16</sub> " x 2")	700Vac (UL)	1	0.035	0.41	5.7		
FWP-2A14F				2	0.08	0.11	8.7		
FWP-3A14F				3	0.11	0.26	2.8		
FWP-4A14F				4	0.1	0.23	3		
FWP-5A14F			690Vac (IEC)  700Vac/ 800Vdc (UL)			5	1.6	11	1.5
FWP-10A14F						10	3.6	22	4
FWP-15A14F						15	10.4	70	5.5
FWP-20A14F						20	26	180	6
FWP-25A14F						25	46.5	320	7
FWP-30A14F						30	58	400	9
FWP-32A14F						32	68	600	7.6
FWP-40A14F						40	84	750	8
FWP-50A14F						50	200	1800	9
FWP-10A14FI						With Striker	14x51mm ( <sup>9</sup> / <sub>16</sub> " x 2")	700Vac/ 600Vdc (UL)	10
FWP-15A14FI	15	8.6	70	5.5					
FWP-20A14FI	20	26	230	6					
FWP-25A14FI	25	46.5	375	7					
FWP-30A14FI	30	58	485	9					
FWP-32A14FI	32	68	600	7.6					
FWP-40A14FI	40	84	750	8					
FWP-50A14FI	50	200	1800	9					

##### Dimensions - mm (in)

Without Striker



With Striker



Data Sheets: 720025, 5781724

## Ferrule Fuse Links

### 22x58mm, FWP Series

700Vac/500Vdc (UL), 20 to 100A

#### Specifications

##### Description

Ferrule style high speed fuse links for the protection of DC common bus, DC drives, power converters/rectifiers and reduced voltage starters. Available with or without striker.

##### Technical Data

Rated Voltage: 700Vac, 500Vdc (UL)  
 Rated Current: 20-100A  
 Breaking Capacity: 200kA RMS Sym., 50kA at 500Vdc



Operating Class: aR

##### Standards/Agency Information

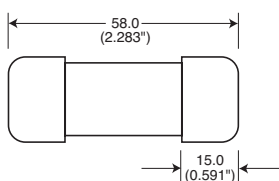
CE, UL Recognised, CSA Component Acceptance for versions without striker only.

##### Catalogue Numbers

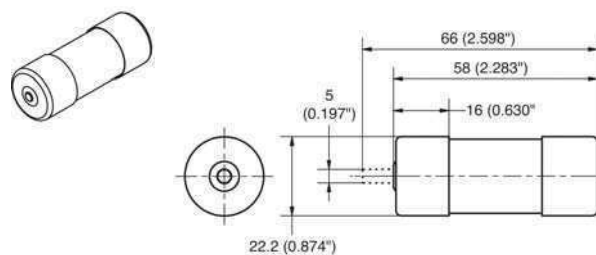
Catalogue Numbers	Fuse Link Type	Fuse Link Size	Rated Voltage	Rated Current (Amps)	I <sup>2</sup> t (A <sup>2</sup> Sec)		Watts Loss (W)
					Pre-Arcing	Clearing at 700Vac	
FWP-20A22F	Without Striker	22x58mm (7/8" x 2 <sup>9</sup> / <sub>32</sub> "	700Vac/ 500Vdc (UL)	20	19	260	5
FWP-25A22F				25	34	410	6
FWP-32A22F				32	53.5	605	8
FWP-40A22F				40	68	750	9
FWP-50A22F				50	135	1600	9.5
FWP-63A22F				63	280	3080	11
FWP-80A22F				80	600	6600	13.5
FWP-100A22F				100	1100	12,500	16
FWP-20A22FI				With Striker	22x58mm (7/8" x 2 <sup>9</sup> / <sub>32</sub> "	700Vac/ 500Vdc (UL)	20
FWP-25A22FI	25	34	410				6
FWP-32A22FI	32	53.5	605				8
FWP-40A22FI	40	68	750				9
FWP-50A22FI	50	135	1600				9.5
FWP-63A22FI	63	280	3080				11
FWP-80A22FI	80	600	6600				13.5
FWP-100A22FI	100	1100	12,500				16

#### Dimensions - mm (in)

##### Without Striker



##### With Striker



Data Sheets: 720026, 5781723

## Ferrule Fuse Links

20x127mm and 25x146mm, FWK Series  
750-1000Vdc (IEC), 5 to 60A

### Specifications

#### Description

Ferrule style high speed fuse links for the protection of DC common bus, DC drives, power converters/rectifiers and reduced voltage starters.

#### Technical Data

Rated Voltage: 1000Vdc (IEC, 5-10A)  
750Vdc (IEC, 15-60A)  
Rated Current: 5-60A  
Breaking Capacity: 50kA DC

Operating Class: gG

Standards/Agency Information: CE

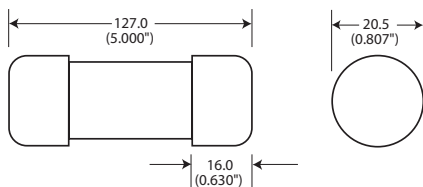
#### Catalogue Numbers

Catalogue Numbers	Fuse Link Size	Rated Voltage	Rated Current (Amps)	I <sup>2</sup> t (A <sup>2</sup> Sec)		Watts Loss (W)
				Pre-Arcing	Clearing at 750Vdc	
FWK-5A20F	20x127mm (1 <sup>3</sup> / <sub>16</sub> " x 5")	1000Vdc (IEC)	5	8.5	16	6.7
FWK-8A20F			8	50	100	8.8
FWK-10A20F			10	95	200	8.5
FWK-15A20F			15	100	240	5
FWK-20A20F			20	125	315	7.8
FWK-25A20F			25	400	1100	6.5
FWK-30A20F	25x146mm (1" x 5 <sup>3</sup> / <sub>4</sub> ")	750Vdc (IEC)	30	800	2600	6.5
FWK-35A25F			35	1300	4600	6
FWK-40A25F			40	1600	5300	6.8
FWK-50A25F			50	3100	12,000	7.3
FWK-60A25F			60	5900	24,000	7.7

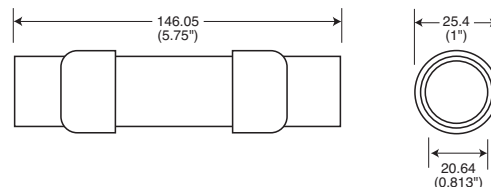


#### Dimensions - mm (in)

##### 20x127mm 5-30A



##### 25x146mm 35-60A



## Ferrule Fuse Links

### 14x67mm, FWJ Series

1000Vac/800Vdc (UL), 20 to 30A

#### Specifications

##### Description

Ferrule style high speed fuse links for the protection of DC common bus, DC drives, power converters/rectifiers and reduced voltage starters. Available with or without striker for remote indication.

##### Technical Data

Rated Voltage: 1000Vac/800Vdc (UL)

Rated Current: 20-30A

Breaking Capacity: 25kA RMS Sym., 50kA at 800Vdc

Operating Class: aR

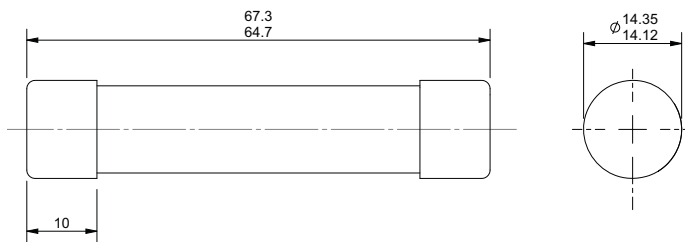
##### Standards/Agency Information

CE, UL Recognised.

##### Catalogue Numbers

Catalogue Numbers	Fuse Link Size	Rated Voltage	Rated Current (Amps)	I <sup>2</sup> t (A <sup>2</sup> Sec)		Watts Loss (W)
				Pre-Arcing	Clearing at 1000Vac	
FWJ-20A14F	14x67mm ( <sup>9</sup> / <sub>16</sub> " x 2 <sup>5</sup> / <sub>8</sub> " )	1000Vac/ 800Vdc (UL)	20	25	220	9
FWJ-25A14F			25	33	350	11
FWJ-30A14F			30	52	450	14

##### Dimensions - mm





## Ferrule Fuse Links

20x127mm, FWL Series  
1200Vac/1000Vdc (IEC), 20 to 30A

### Specifications

#### Description

Ferrule style high speed fuse links for the protection of DC common bus, DC drives, power converters/rectifiers and reduced voltage starters. Available with indicator.

#### Technical Data

Rated Voltage: 1200Vac/1000Vdc (IEC)  
Rated Current: 20-30A  
Breaking Capacity: 50kA RMS Sym., 50kA at 1000Vdc

Operating Class: gR

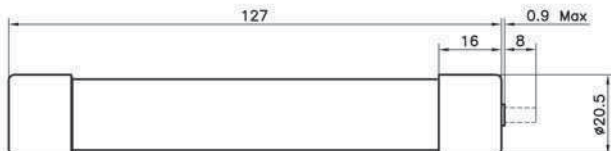
Standards/Agency Information: CE

#### Catalogue Numbers



Without Indicator	With Indicator	Fuse Links Size	Rated Voltage	Rated Current (Amps)	I <sup>2</sup> t (A <sup>2</sup> Sec)		Watts Loss (W)
					Pre-Arcing	Clearing at 250Vac	
FWL-20A20F	FWL-20A20FI	20x127mm (1 <sup>3</sup> / <sub>16</sub> " x 5")	1200Vac/ 1000Vdc (IEC)	20	675	1550	5.9
FWL-25A20F	FWL-25A20FI			25	1200	2760	6.5
FWL-30A20F	FWL-30A20FI			30	1850	4300	7.5

#### Dimensions - mm



## Ferrule Fuse Links

20x127mm, FWS Series

1400-2000Vac/1000Vdc (IEC), 2 to 15A

### Specifications

#### Description

Ferrule style high speed fuse links for the protection of DC common bus, DC drives, power converters/rectifiers and reduced voltage starters. Available with indicator

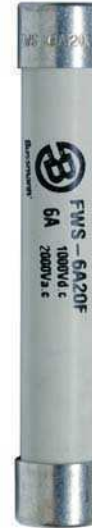
#### Technical Data

Rated Voltage: 2000Vac/1000Vdc (IEC, 2-8A)  
1400Vac/1000Vdc (IEC, 10-15A)  
Rated Current: 2-15A  
Breaking Capacity: 50kA RMS Sym., 50kA at 1000Vdc (2-10A only)

Operating Class: gR

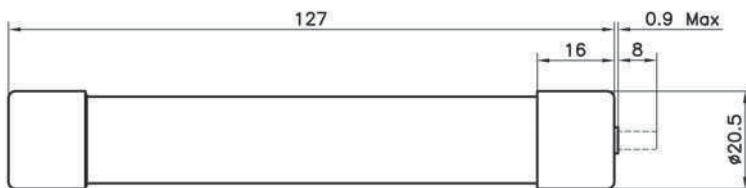
Standards/Agency Information: CE

#### Catalogue Numbers



Without Indicator	With Indicator	Fuse Links Size	Rated Voltage	Rated Current (Amps)	I <sup>2</sup> t (A <sup>2</sup> Sec)		Watts Loss (W)
					Pre-Arcing	Clearing at 1000Vdc	
FWS-2A20F	FWS-2A20FI	20x127mm ( <sup>13</sup> / <sub>16</sub> " x 5")	2000Vac/ 1000Vdc (IEC)	2	0.8	2.4	4.4
FWS-6A20F	FWS-6A20FI			6	27	81	6.7
FWS-8A20F	FWS-8A20FI			8	64	192	7.6
FWS-10A20F	FWS-10A20FI		1400Vac/ 1000Vdc (IEC)	10	118	277	3
FWS-12A20F	FWS-12A20FI			12	170	380	3.4
FWS-15A20F	FWS-15A20FI			15	209	500	5

#### Dimensions - mm



## Square Body Fuse Links

Size 000 and 00, DIN 43653, 170M Series  
690Vac (IEC), 700Vac/Vdc (UL), 10 to 400A

### Specifications

#### Description

Square body DIN 43653 bolted tags high speed fuse links, for the protection of DC common bus, DC drives, power converters/rectifiers and reduced voltage starters.

#### Technical Data

Rated Voltage: 690Vac (IEC, size 000 and 00)  
700Vac (UL, size 000; size 00 100-400A only)  
700Vdc (UL, size 000)  
Rated Current: 10-400A  
Breaking Capacity: 200kA RMS Sym.  
50kA at 700Vdc (size 000 only)



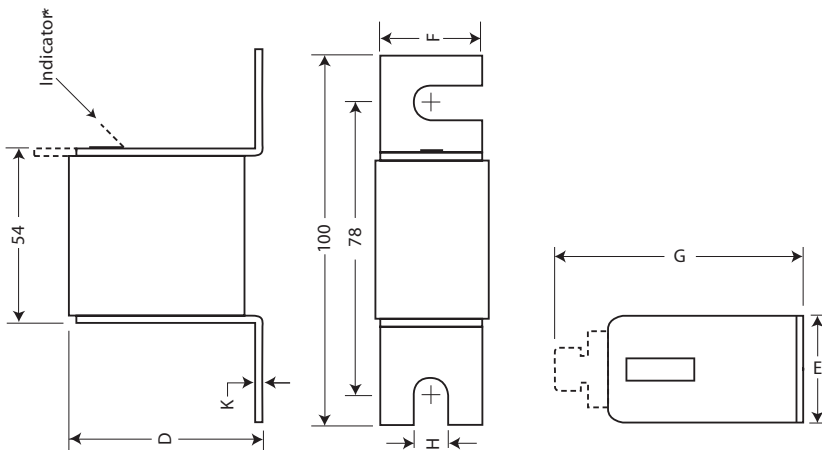
#### Operating Class

gR - size 000 (10-63A), size 00 (25-80A)  
aR - size 000 (>63A), size 00 (>80A)

#### Standards/Agency Information

CE, Designed and tested to IEC 60269 part 4. UL Recognised/CSA Component Acceptance on Size 000. CCC approved.

#### Dimensions - mm



\* Indication for Size 00 fuses is a red pin

The dotted line illustrates the Type T indicator fuse link

#### Type -U/80, -/80, -TN/80

Size	D	E	F	G	H	K
000	40	21	20	51	8	2
00	51	30	28	67	10	2

Data Sheets: 170K6310 (Size 000), 170K6312 (Size 00)

## Square Body Fuse Links

Size 000 and 00, DIN 43653, 170M Series  
690Vac (IEC), 700Vac/Vdc (UL), 10 to 400A

### Catalogue Numbers

-U/80 Without Indicator	-/80 Visual Indicator	-TN/80 Type T Indicator for Micro	Fuse Link Size	Rated Voltage	Rated Current (Amps)	I <sup>2</sup> t (A <sup>2</sup> Sec)		Watts Loss (W)
						Pre-Arcing	Clearing at 660Vac	
170M1308	170M1358	170M1408	000	690Vac (IEC) 700Vac/Vdc (UL)	10	3.8	25.5	3
170M1309	170M1359	170M1409			16	7.2	48	5.5
170M1310	170M1360	170M1410			20	11.5	78	7
170M1311	170M1361	170M1411			25	19	130	9
170M1312	170M1362	170M1412			32	40	270	10
170M1313	170M1363	170M1413			40	69	460	12
170M1314	170M1364	170M1414			50	115	770	15
170M1315	170M1365	170M1415			63	215	1450	16
170M1316	170M1366	170M1416			80	380	2550	19
170M1317	170M1367	170M1417			100	695	4650	24
170M1318	170M1368	170M1418			125	1250	8500	28
170M1319	170M1369	170M1419			160	2350	16,000	32
170M1320	170M1370	170M1420			200	4200	28,000	37
170M1321	170M1371	170M1421			250	7750	51,500	42
170M1322	170M1372	170M1422			315	12,000	80,500	53
	170M2608	170M2658	00	690Vac (IEC) 700Vac (UL)	25	19	130	6
	170M2609	170M2659			32	28.5	195	7
	170M2610	170M2660			40	50	360	9
	170M2611	170M2661			50	95	640	10
	170M2612	170M2662			63	170	1200	12
	170M2613	170M2663			80	310	2100	15
	170M2614	170M2664			100	620	4150	20
	170M2615	170M2665			125	1000	6950	25
	170M2616	170M2666			160	1900	13,000	30
	170M2617	170M2667			200	3400	23,000	35
	170M2618	170M2668			250	6250	42,000	45
	170M2619	170M2669			315	10,000	68,500	55
	170M2620	170M2670			350	13,500	91,500	60
	170M2621	170M2671			400	18,000	125,000	70

## Square Body Fuse Links

Size 1\* to 3, DIN 43653, 170M Series  
690Vac (IEC), 700Vac (UL), 40 to 2000A

### Specifications

#### Description

Square body DIN 43653 bolted tags high speed fuse links, for the protection of DC common bus, DC drives, power converters/rectifiers and reduced voltage starters.

#### Technical Data

Rated Voltage: 690Vac (IEC)/700Vac (UL)  
Rated Current: 40-2000A  
Breaking Capacity: 200kA RMS Sym.

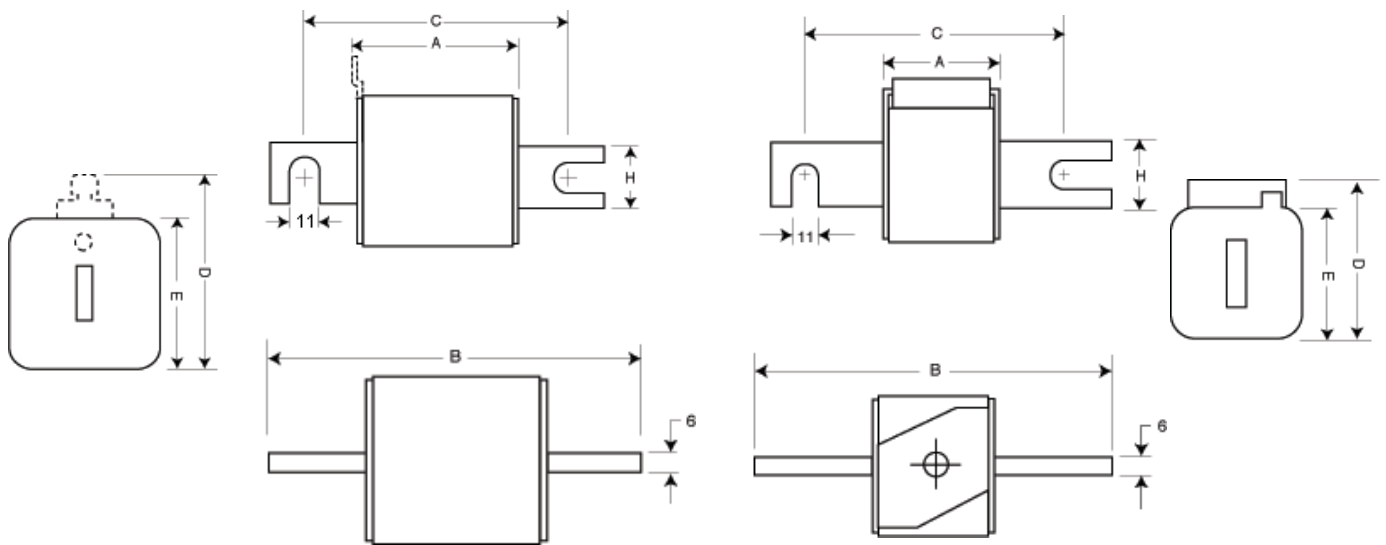
Operating Class: aR

#### Standards/Agency Information

CE, Designed and tested to IEC60269 Part 4. Consult Cooper Bussmann for UL Recognition/CSA Component Acceptance status. CCC except where noted.



#### Dimensions - mm



Type -/80, -TN/80, -/110, -TN/110

Size	A	B	B <sup>1</sup>	C	C <sup>1</sup>	D <sup>2</sup>	E	H
1*	50	104	134	78	108	58	45	22
1	50	108	138	78	108	66	53	25
2	50	108	138	78	108	75	61	25
3	51	109	139	78	108	90	76	30

<sup>1</sup> Valid for fuse links type -/110, -TN/110.

<sup>2</sup> Valid for fuse type -TN/80 and -TN/110.

1mm = 0.0394" / 1" = 25.4mm

Type -KN/80, -KN/110

Size	A	B	B <sup>3</sup>	C	C <sup>3</sup>	D	E	H
1*	50	104	134	78	108	59	45	22
1	50	108	138	78	108	69	53	25
2	50	108	138	78	108	77	61	25
3	51	109	139	78	108	92	76	30

<sup>3</sup> Valid for fuse links type -KN/110.

1mm = 0.0394" / 1" = 25.4mm

Data Sheets: 170K6314 (Size 1\*), 170K6316 (Size 1), 170K6318 (Size 2), 170K6320 (Size 3)

## Square Body Fuse Links

Size 1\* to 3, DIN 43653, 170M Series  
690Vac (IEC), 700Vac (UL), 40 to 2000A

### Catalogue Numbers

-/80 Visual Indicator	-TN/80 Type T Indicator for Micro	-KN/80 Type K Indicator for Micro	-/110 Visual Indicator	-TN/110 Type T Indicator for Micro	-KN/110 Type K Indicator for Micro	Fuse Link Size	Rated Voltage	Rated Current (Amps)	I <sup>2</sup> t (A <sup>2</sup> Sec)		Watts Loss (W)		
									Pre- Arcing	Clearing at 660Vac			
170M3008	170M3058	170M3108	170M3158	170M3208	170M3258	1*	690Vac (IEC)	40	40	270	9		
170M3009	170M3059	170M3109	170M3159	170M3209	170M3259			50	77	515	11		
170M3010	170M3060	170M3110	170M3160	170M3210	170M3260			63	115	770	14		
170M3011	170M3061	170M3111	170M3161	170M3211	170M3261			80	185	1250	18		
170M3012	170M3062	170M3112	170M3162	170M3212	170M3262			100	360	2450	21		
170M3013	170M3063	170M3113	170M3163	170M3213	170M3263			125	550	3700	26		
170M3014	170M3064	170M3114	170M3164	170M3214	170M3264			160	1100	7500	30		
170M3015	170M3065	170M3115	170M3165	170M3215	170M3265			200	2200	15,000	35		
170M3016	170M3066	170M3116	170M3166	170M3216	170M3266			250	4200	28,500	40		
170M3017	170M3067	170M3117	170M3167	170M3217	170M3267			315	7000	46,500	50		
170M3018	170M3068	170M3118	170M3168	170M3218	170M3268			350	10,000	68,500	55		
170M3019	170M3069	170M3119	170M3169	170M3219	170M3269			400	15,000	105,000	60		
170M3020	170M3070	170M3120	170M3170	170M3220	170M3270			450	21,000	140,000	65		
170M3021	170M3071	170M3121	170M3171	170M3221	170M3271			500	27,000	180,000	70		
170M3022	170M3072	170M3122	170M3172	170M3222	170M3272			550	34,000	230,000	75		
170M3023	170M3073	170M3123	170M3173	170M3223	170M3273			630	48,500	325,000	80		
170M4008	170M4058	170M4108	170M4158	170M4208	170M4258			1	690Vac (IEC)	200	1650	11,500	45
170M4009	170M4059	170M4109	170M4159	170M4209	170M4259					250	3100	21,000	55
170M4010	170M4060	170M4110	170M4160	170M4210	170M4260					315	6200	42,000	58
170M4011	170M4061	170M4111	170M4161	170M4211	170M4261					350	8500	59,000	60
170M4012	170M4062	170M4112	170M4162	170M4212	170M4262					400	13,500	91,500	65
170M4013	170M4063	170M4113	170M4163	170M4213	170M4263					450	17,000	120,000	70
170M4014	170M4064	170M4114	170M4164	170M4214	170M4264					500	25,000	170,000	72
170M4015	170M4065	170M4115	170M4165	170M4215	170M4265					550	34,000	230,000	75
170M4016	170M4066	170M4116	170M4166	170M4216	170M4266	630	52,000			350,000	80		
170M4017	170M4067	170M4117	170M4167	170M4217	170M4267	700	69,500			465,000	85		
170M4018	170M4068	170M4118	170M4168	170M4218	170M4268	800	105,000			725,000	95		
170M4019 <sup>1</sup>	170M4069 <sup>1</sup>	170M4119 <sup>1</sup>	170M4169 <sup>1</sup>	170M4219 <sup>1</sup>	170M4269 <sup>1</sup>	2	700Vac (UL)			900 <sup>2</sup>	155,000	850,000 <sup>2</sup>	100
170M5008	170M5058	170M5108	170M5158	170M5208	170M5258					400	11,000	74,000	65
170M5009	170M5059	170M5109	170M5159	170M5209	170M5259					450	15,500	105,000	70
170M5010	170M5060	170M5110	170M5160	170M5210	170M5260					500	21,500	145,000	75
170M5011	170M5061	170M5111	170M5161	170M5211	170M5261					550	28,000	190,000	80
170M5012	170M5062	170M5112	170M5162	170M5212	170M5262					630	41,000	275,000	90
170M5013	170M5063	170M5113	170M5163	170M5213	170M5263					700	60,500	405,000	95
170M5014	170M5064	170M5114	170M5164	170M5214	170M5264					800	86,000	575,000	105
170M5015	170M5065	170M5115	170M5165	170M5215	170M5265					900	125,000	840,000	110
170M5016	170M5066	170M5116	170M5166	170M5216	170M5266					1000	180,000	1,250,000	115
170M5017	170M5067	170M5117	170M5167	170M5217	170M5267					1100 <sup>3</sup>	245,000	1,600,000	120
170M5018	170M5068	170M5118	170M5168	170M5218	170M5268					1250 <sup>3</sup>	365,000	2,400,000	130
170M6008	170M6058	170M6108	170M6158	170M6208	170M6258					3	690Vac (IEC)	500	14,000
170M6009	170M6059	170M6109	170M6159	170M6209	170M6259			550	19,500			135,000	100
170M6010	170M6060	170M6110	170M6160	170M6210	170M6260			630	31,000			210,000	105
170M6011	170M6061	170M6111	170M6161	170M6211	170M6261			700	44,500			300,000	110
170M6012	170M6062	170M6112	170M6162	170M6212	170M6262			800	69,500			465,000	115
170M6013	170M6063	170M6113	170M6163	170M6213	170M6263			900	100,000			670,000	120
170M6014	170M6064	170M6114	170M6164	170M6214	170M6264			1000	140,000			945,000	125
170M6015	170M6065	170M6115	170M6165	170M6215	170M6265			1100	190,000			1,300,000	130
170M6016	170M6066	170M6116	170M6166	170M6216	170M6266			1250	290,000			1,950,000	140
170M6017	170M6067	170M6117	170M6167	170M6217	170M6267			1400	370,000			2,450,000	155
170M6018	170M6068	170M6118	170M6168	170M6218	170M6268			1500	460,000			3,100,000	160
170M6019	170M6069	170M6119	170M6169	170M6219	170M6269			1600	580,000			3,900,000	160
170M6020	170M6070	170M6120	170M6170	170M6220	170M6270	1800 <sup>4</sup>	880,000	5,250,000 <sup>4</sup>	165				
170M6021	170M6071	170M6121	170M6171	170M6221	170M6271	2000 <sup>5</sup>	1,150,000	6,350,000 <sup>5</sup>	175				

<sup>1</sup> Not UL Approved <sup>2</sup> Rated Voltage: 550Vac IEC <sup>3</sup> Rated Voltage: 600Vac IEC, 700Vac UL <sup>4</sup> Rated Voltage: 600Vac IEC, 500Vac UL <sup>5</sup> Rated Voltage: 550Vac IEC, 500Vac UL

Data Sheets: 170K6314 (Size 1\*), 170K6316 (Size 1), 170K6318 (Size 2), 170K6320 (Size 3)



## Square Body Fuse Links

Size 00, DIN 43653, 170M Series  
1000Vac (IEC and UL), 20 to 315A

### Specifications

#### Description

Square body DIN 43653 bolted tags high speed fuse links, for the protection of DC common bus, DC drives, power converters/rectifiers and reduced voltage starters.

#### Technical Data

Rated Voltage: 1000Vac (IEC and UL 20-250A) / 900Vac (IEC, 315A)  
Rated Current: 20-315A  
Breaking Capacity: 125kA RMS Sym.

Operating Class: aR

#### Standards/Agency Information

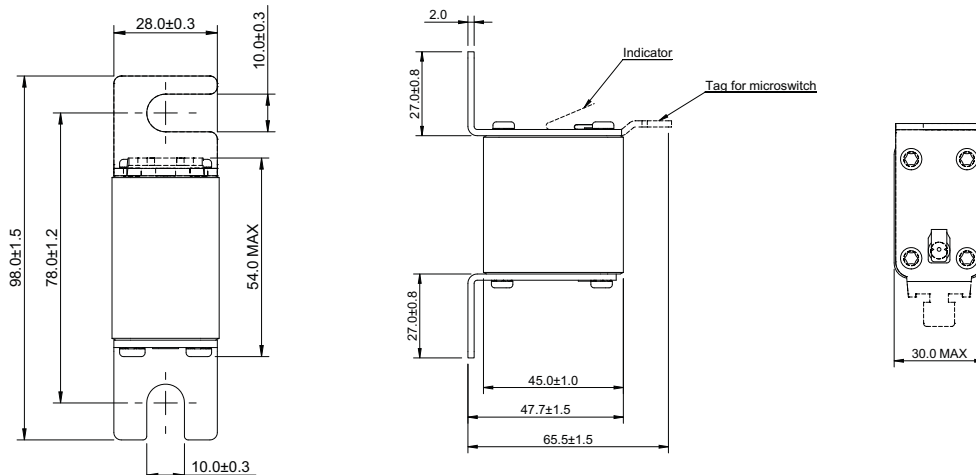
CE, Designed and tested to IEC60269 Part 4, UL Recognised/CSA component acceptance status (20-250A).



#### Catalogue Numbers

00/80 Visual Indicator	00TN/80 Type T Indicator for Micro	Fuse Link Size	Rated Voltage	Rated Current (Amps)	I <sup>2</sup> t (A <sup>2</sup> Sec)		Watts Loss (W)	
					Pre- Arcing	Clearing at Rated Voltage		
170M4802	170M4822	00	1000Vac (IEC/UL)	20	20	140	5	
170M4803	170M4823			25	30	210	7	
170M4804	170M4824			32	55	390	9	
170M4805	170M4825			35	69	500	10	
170M4806	170M4826			40	100	690	11	
170M4807	170M4827			50	170	1200	13	
170M4808	170M4828			63	280	2000	18	
170M4809	170M4829			80	500	3500	22	
170M4810	170M4830			100	950	6850	25	
170M4811	170M4831			125	1500	11,500	33	
170M4812	170M4832			160	3000	22,000	37	
170M4813	170M4833			200	5600	40,500	40	
170M4814	170M4834			250	10,000	74,000	48	
170M4815	170M4835				900Vac (IEC)	315	18,000	115,000

#### Dimensions - mm



Data Sheet: 170K8504

## Square Body Fuse Links

Size 1\* to 3, DIN 43653, 170M Series  
1000Vac (IEC and UL), 50 to 1400A

### Specifications

#### Description

Square body DIN 43653 bolted tags high speed fuse links, for the protection of DC common bus, DC drives, power converters/rectifiers and reduced voltage starters.

#### Technical Data

Rated Voltage: 1000Vac (IEC, 50-1250A), 900Vac (IEC, 1400A)  
1000Vac (UL size 2, size 3, 315-1100A only)  
Rated Current: 50-1400A  
Breaking Capacity: 125kA RMS Sym.

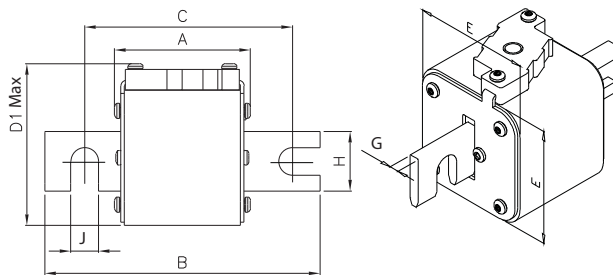
Operating Class: aR

#### Standards/Agency Information

CE, Designed and tested to IEC60269 Part 4, UL Recognised (only sizes 2 & 3)  
CCC only size 3 (315-1100A)

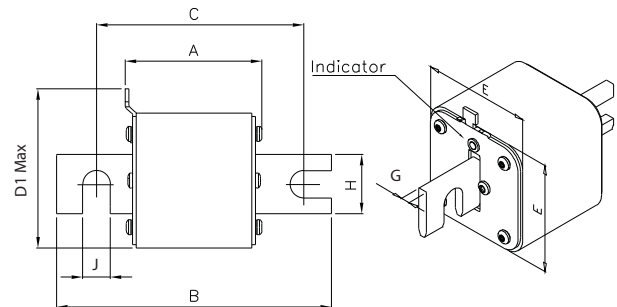
#### Dimensions - mm

##### Type -KN/110



Size	A	B	C	D1 (max)	E	G	H	J
1*KN/110	80	138	108	61	43	6	22	11
1KN/110	80	138	108	69	51	6	25	11
2KN/110	80	138	108	77	59	6	25	11
3KN/110	81	139	108	92	74	6	30	11

##### Type -TN/110



Size	A	B	C	D1 (max)	E	G	H	J
1*TN/110	80	138	108	61	43	6	22	11
1TN/110	80	138	108	69	51	6	25	11
2TN/110	80	138	108	75	59	6	25	11
3TN/110	81	139	108	90	74	6	30	11



## Square Body Fuse Links

Size 1\* to 3, DIN 43653, 170M Series  
1000Vac (IEC and UL), 50 to 1400A

### Catalogue Numbers

-KN/110 Type K Indicator for Micro	-TN/110 Type T Indicator for Micro	Fuse Link Size	Rated Voltage	Rated Current (Amps)	I <sup>2</sup> t (A <sup>2</sup> Sec)		Watts Loss (W)	
					Pre- Arcing	Clearing at Rated Voltage		
170M3965	170M3981	1*	1000Vac (IEC)	50	135	815	20	
170M3966	170M3982			63	215	1300	25	
170M3967	170M3983			80	460	2750	30	
170M3968	170M3984			100	860	5100	35	
170M3969	170M3985			125	1450	8600	40	
170M3970	170M3986			160	2850	17,500	45	
170M3971	170M3987			200	4950	29,500	50	
170M3972	170M3988			250	9550	57,000	55	
170M3973	170M3989			315	21,500	130,000	65	
170M3974	170M3990			350	29,000	175,000	70	
170M3975	170M3991			400	42,000	250,000	75	
170M4965	170M4980	1	1000Vac (IEC)	160	2200	13,500	40	
170M4966	170M4981			200	4150	24,500	45	
170M4967	170M4982			250	7750	46,000	52	
170M4968	170M4983			315	16,500	98,500	60	
170M4969	170M4984			350	21,500	130,000	65	
170M4970	170M4985			400	31,000	185,000	70	
170M4971	170M4986			450	44,500	265,000	80	
170M4972	170M4987			500	63,000	375,000	85	
170M4973	170M4988			550	84,500	500,000	90	
170M4974	170M4989			630	125,000	755,000	98	
170M5966	170M5981			2	1000Vac (IEC and UL)	250	6750	40,000
170M5967	170M5982	315	13,500			81,500	75	
170M5968	170M5983	350	16,500			99,000	80	
170M5969	170M5984	400	26,000			155,000	85	
170M5970	170M5985	450	35,500			210,000	90	
170M5971	170M5986	500	49,500			295,000	95	
170M5972	170M5987	550	66,000			390,000	100	
170M5973	170M5988	630	93,500			555,000	110	
170M5974	170M5989	700	130,000			770,000	115	
170M5975	170M5990	800	195,000			1,200,000	125	
170M8614	170M8629	3	1000Vac (IEC and UL)			315	9200	54,500
170M8615	170M8630			350	13,000	77,500	95	
170M8616	170M8631			400	19,000	115,000	105	
170M8617	170M8632			450	27,000	160,000	107	
170M8618	170M8633			500	37,500	225,000	110	
170M8619	170M8634			550	52,000	310,000	115	
170M8620	170M8635			630	82,500	490,000	120	
170M8621	170M8636			700	115,000	700,000	125	
170M8622	170M8637			800	170,000	1,050,000	135	
170M8623	170M8638			900	250,000	1,500,000	145	
170M8624	170M8639			1000	340,000	2,050,000	150	
170M8625	170M8640			1100	460,000	2,750,000	155	
170M8626	170M8641			1000Vac (IEC)	1250	575,000	3,400,000	175
170M8627	170M8642			900Vac (IEC)	1400	795,000	4,200,000	185

Data Sheets: 170K8564 (Size 1\*), 170K8566 (Size 1), 170K8568 (Size 2), 170K8570 (Size 3)

## Square Body Fuse Links

Size 1\* to 3, DIN 43653, 170M Series  
1250Vac (IEC), 1300Vac (UL), 50 to 1400A

### Specifications

#### Description

Square body DIN 43653 bolted tags high speed fuse links, for the protection of DC common bus, DC drives, power converters/rectifiers and reduced voltage starters.

#### Technical Data

Rated Voltage: see table opposite page  
Rated Current: 50-1400A  
Breaking Capacity: 100kA RMS Sym.

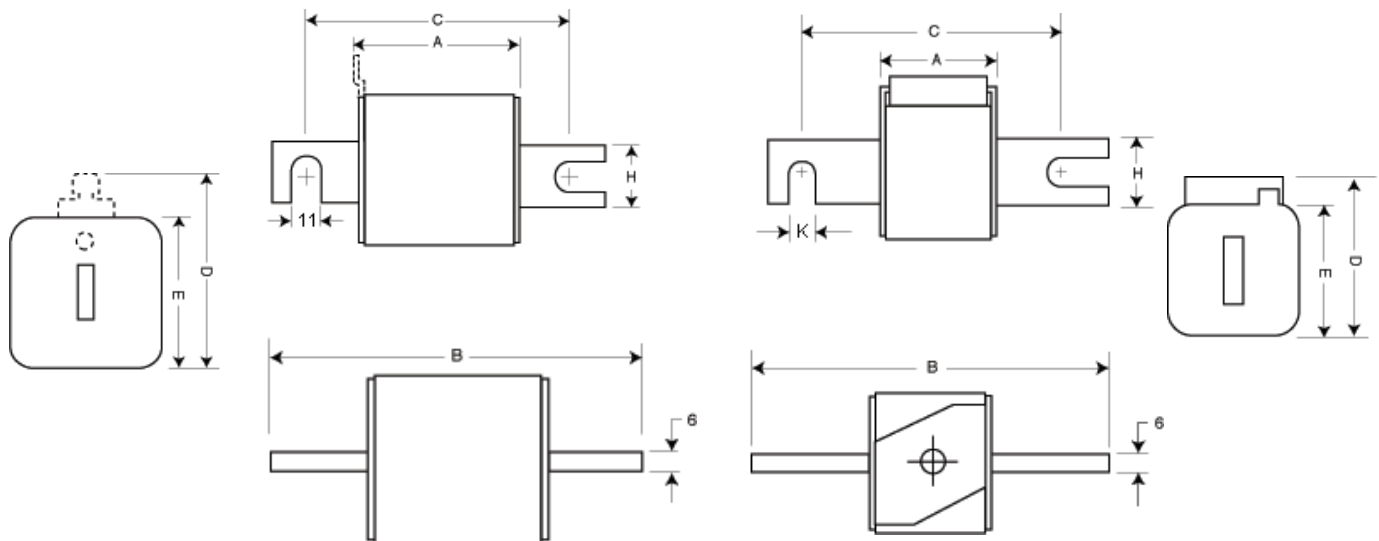
Operating Class: aR

#### Standards/Agency Information

CE, Designed and tested to IEC60269 Part 4. Consult Cooper Bussmann for UL Recognition/CSA Component Acceptance status.



#### Dimensions - mm



#### Type -/110, -TN/110

Size	A	B	C	D <sup>1</sup>	E	H	K
1*	80	138	108	58	45	20	11
1	80	138	108	66	53	25	11
2	80	138	108	75	61	25	11
3	81	139	108	90	76	30	11

<sup>1</sup> Clip on Microswitch valid for fuse links -TN/110  
1mm = 0.0394" / 1" = 25.4mm

#### Type -KN/110

Size	A	B	C	D	E	H	K
1*	80	138	108	60	45	20	11
1	80	138	108	69	53	25	11
2	80	138	108	77	61	25	11
3	81	139	108	92	76	30	11

1mm = 0.0394" / 1" = 25.4mm

Data Sheets: 170K6630 (Size 1\*), 170K6632 (Size 1), 170K6634 (Size 2), 170K6636 (Size 3)

## Square Body Fuse Links

Size 1\* to 3, DIN 43653, 170M Series  
1250Vac (IEC), 1300Vac (UL), 50 to 1400A

### Catalogue Numbers

-/110 Visual Indicator	-TN/110 Type T Indicator for Micro	-KN/110 Type K Indicator for Micro	Fuse Link Size	Rated Voltage	Rated Current (Amps)	I <sup>2</sup> t (A <sup>2</sup> Sec)			Watts Loss (W)		
						Pre- Arcing	Clearing at 1000Vac	Clearing at 1250Vac			
170M3138	170M3188	170M3238	1*	1250Vac (IEC)	50	135	815	1100	15		
170M3139	170M3189	170M3239			63	215	1300	1750	20		
170M3140	170M3190	170M3240			80	420	2500	3350	25		
170M3141	170M3191	170M3241			100	750	4450	5950	30		
170M3142	170M3192	170M3242			125	1450	9000	11,500	35		
170M3143	170M3193	170M3243			160	2600	16,000	21,000	40		
170M3144	170M3194	170M3244			200	5150	31,000	41,000	45		
170M3145	170M3195	170M3245			250	9200	54,500	73,000	55		
170M3146	170M3196	170M3246			315	18,500	115,000	150,000	60		
170M3147	170M3197	170M3247			350	27,000	165,000	220,000	65		
170M3148	170M3198	170M3248			400	53,000	265,000	335,000	70		
170M4138	170M4188	170M4238			1	1300Vac (UL)	160	1900	11,500	15,500	45
170M4139	170M4189	170M4239					200	3800	22,500	30,000	50
170M4140	170M4190	170M4240					250	7750	46,000	61,500	60
170M4141	170M4191	170M4241					315	15,000	90,000	120,000	65
170M4142	170M4192	170M4242					350	20,000	125,000	165,000	70
170M4143	170M4193	170M4243					400	29,500	175,000	235,000	75
170M4144	170M4194	170M4244	450	42,000			250,000	335,000	80		
170M4145	170M4195	170M4245	500	69,500			340,000	435,000	85		
170M4146	170M4196	170M4246	550	95,000			465,000	590,000	95		
170M4147 <sup>1</sup>	170M4197 <sup>1</sup>	170M4247 <sup>1</sup>	630	130,000			660,000	N/A	100		
170M5138	170M5188	170M5238	2	1250Vac (IEC)			250	6500	38,500	51,500	65
170M5139	170M5189	170M5239					280	9350	55,500	74,500	70
170M5140	170M5190	170M5240					315	13,000	77,500	105,000	75
170M5141	170M5191	170M5241					350	16,500	97,500	135,000	80
170M5142	170M5192	170M5242					400	23,000	140,000	180,000	85
170M5143	170M5193	170M5243					450	34,000	205,000	270,000	90
170M5144	170M5194	170M5244					500	48,000	285,000	380,000	95
170M5145	170M5195	170M5245			550	62,000	370,000	495,000	100		
170M5146	170M5196	170M5246			630	115,000	575,000	730,000	120		
170M5147	170M5197	170M5247			700	160,000	795,000	1,050,000	125		
170M5148	170M5198	170M5248			800	245,000	1,200,000	1,550,000	130		
170M5149	170M5199	170M5249			900	360,000	1,750,000	N/A	135		
170M5150	170M5200	170M5250			1000	480,000	2,350,000	N/A	145		
170M6138	170M6188	170M6238			3	1300Vac (UL)	315	9500	58,000	77,500	85
170M6139	170M6189	170M6239					350	13,500	81,500	110,000	90
170M6140	170M6190	170M6240					400	19,500	120,000	160,000	95
170M6141	170M6191	170M6241					450	31,000	185,000	245,000	100
170M6142	170M6192	170M6242	500	39,000			235,000	310,000	105		
170M6143	170M6193	170M6243	550	55,000			325,000	435,000	110		
170M6144	170M6194	170M6244	630	83,500			495,000	665,000	115		
170M6145	170M6195	170M6245	700	115,000			705,000	940,000	120		
170M6146	170M6196	170M6246 <sup>1</sup>	800	205,000			995,000	1,300,000	125		
170M6147	170M6197	170M6247 <sup>1</sup>	900	305,000			1,500,000	1,900,000	130		
170M6148	170M6198	170M6248 <sup>1</sup>	1000	450,000			2,150,000	2,750,000	135		
170M6149	170M6199	170M6249 <sup>1</sup>	1100	575,000			2,800,000	3,600,000	160		
170M6150 <sup>1</sup>	170M6200 <sup>1</sup>	170M6250 <sup>1</sup>	1100Vac (IEC)	1250			810,000	3,950,000	N/A	170	
170M6151 <sup>1</sup>	170M6201 <sup>1</sup>	170M6251 <sup>1</sup>		1400			1,250,000	6,000,000	N/A	175	

<sup>1</sup> These fuse links are not UL Recognised.

## Square Body Fuse Links

Size 00 to 3, DIN 43620 - Full Range (gR), 170M Series  
690Vac (IEC), 10 to 800A

### Specifications

#### Description

Square body DIN 43653 blade high speed fuse links. Full range protection fuse links provide both overload and short-circuit protection

#### Technical Data

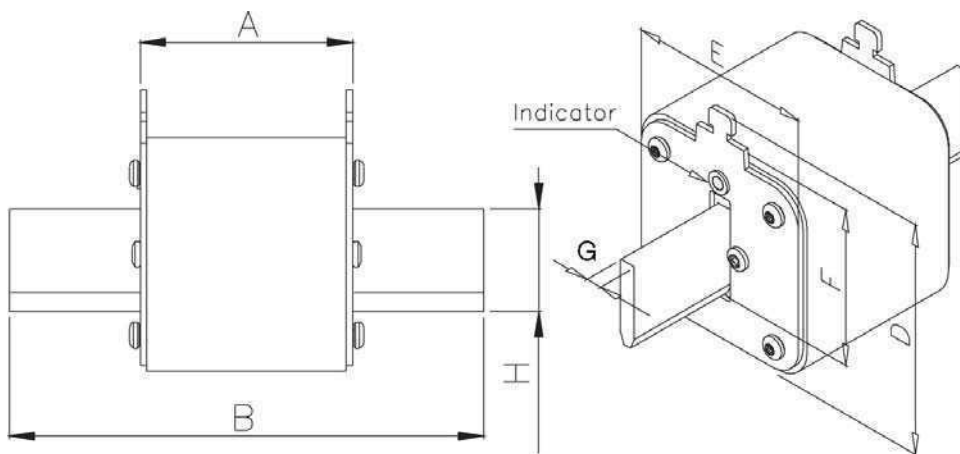
Rated Voltage: 690Vac (IEC)  
Rated Current: 10-800A  
Breaking Capacity: 200kA RMS Sym.

Operating Class: gR

#### Standards/Agency Information

CE, Designed and tested to IEC 60269 Part 4.

#### Dimensions - mm



Size	A	B	D (max)	E (max)	F	G	H (min)
00	49	78.5	60	30	35	6	15
1	68	135	66	52	40	6	20
2	68	150	74	60	48	6	25
3	68	150	89	75	60	6	32

Data Sheets: 170K6412 (Size 00), 170K6416 (Size 1), 170K6418 (Size 2), 170K6420 (Size 3)



## Square Body Fuse Links

Size 00 to 3, DIN 43620 - Full Range (gR), 170M Series  
690Vac (IEC), 10 to 800A

### Catalogue Numbers

Type T Indicator for Micro	Fuse Link Size	Rated Voltage	Rated Current (Amps) <sup>1</sup>	I <sup>2</sup> t (A <sup>2</sup> Sec)		Watts Loss (W)		
				Pre- Arcing	Clearing at 690Vac			
170M2691	00	690Vac (IEC)	10	3.8	20	3.5		
170M2692			16	7.2	38	5.5		
170M2693			20	13	70	6		
170M2694			25	24	125	8		
170M2695			32	53	275	9		
170M2696			40	95	490	10		
170M2697			50	185	1000	11		
170M2698			63	345	1800	14		
170M2699			80	695	3600	16		
170M2700			100	1250	6650	19		
170M2701			125	2300	12,000	23		
170M2702			160	4350	22,500	29		
170M4176	1	690Vac (IEC)	50	135	705	12		
170M4177			63	245	1300	15		
170M4178			80	500	2600	17		
170M4179			100	950	4850	20		
170M4180			125	1850	9500	23		
170M4181			160	3450	18,000	28		
170M4182			200	6750	34,500	31		
170M4183			250	13,500	70,500	35		
170M4184			315	26,000	135,000	41		
170M4185			350	34,000	175,000	45		
170M4186			400	48,500	250,000	48		
170M5881			2	690Vac (IEC)	200	5650	29,000	33
170M5882	250	10,000			52,500	40		
170M5883	315	19,500			105,000	46		
170M5884	350	26,000			135,000	50		
170M5885	400	39,500			205,000	53		
170M5886	450	55,500			290,000	59		
170M5887	500	73,000			375,000	66		
170M5888	550	100,000			515,000	70		
170M5889	630	150,000			770,000	79		
170M6080	3	690Vac (IEC)			350	23,000	120,000	55
170M6081					400	34,000	175,000	59
170M6082					450	48,500	250,000	62
170M6083			500	64,000	330,000	67		
170M6084			550	84,500	435,000	70		
170M6085			630	125,000	645,000	85		
170M6086			700	160,000	840,000	93		
170M6087			800	245,000	1,300,000	99		

<sup>1</sup> The RMS Amp rating of this fuse links range is given with open fuse bases connected to copper conductors according to IEC 60269, Part 1, table 10. When used in enclosed fuse bases/disconnects, derating factors have to be observed. Please contact Bussmann for application assistance [bulehighspeedtechnical@eaton.com](mailto:bulehighspeedtechnical@eaton.com)

## Square Body Fuse Links

Size 000 to 3, DIN 43620 - Dual Indicator Fuse Links, 170M Series  
690Vac (IEC), 700Vac (UL), 10 to 1600A

### Specifications

#### Description

Square body DIN 43620 blade high speed fuse links with dual indicator system: one indicator in the fuse body and another one in the metallic end plate. Interchangeable with existing high speed DIN 43620 fuse links for the protection of UPS, soft starters, solid state relays, variable speed drives, rectifiers and inverters.

#### Technical Data

Rated Voltage: 690Vac (IEC), 700Vac (UL)  
Rated Current: 10-1600A  
Breaking Capacity: 200kA RMS Sym.

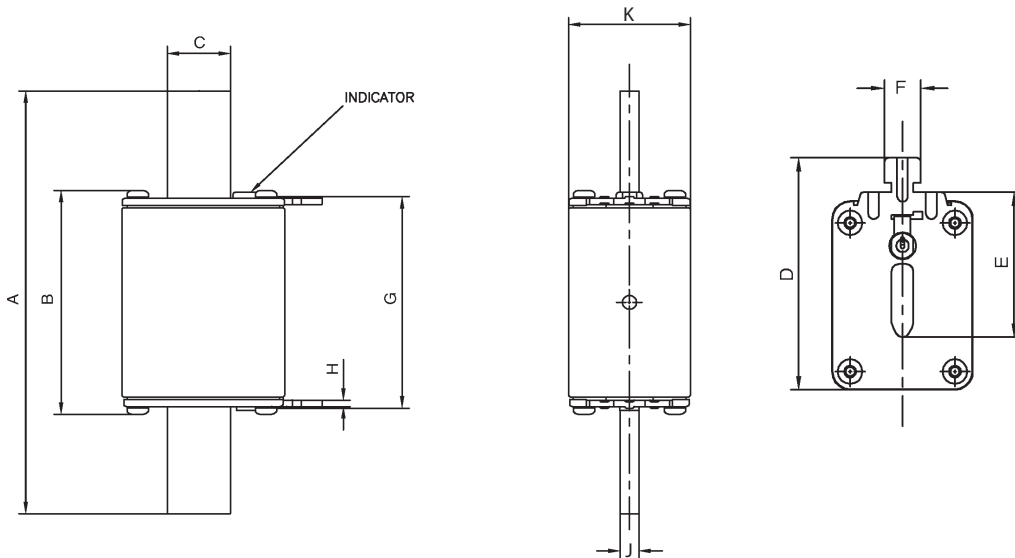
#### Operating Class

gR (size 000, 10-63A), aR (others)

#### Standards/Agency Information

CE, IEC60269 Part 4, UL and CSA Recognised.

#### Dimensions - mm



Size	A	B	C	D	E	F	G	H	J	K
000	78.5	53	15	52	35	10	49.7	1.5	6	20.5
00	78.5	53	15	59	35	10	49.7	2	6	30
1	135	71.4	20	64	40	10	67.5	2	6	40
2	150	71.4	25.1	72	48	10	67.5	2	6	54
3	150	72.4	32	87	60	10	68.5	2.5	6	71

Data Sheets: 170K6386 (Size 000), 170K6388 (Size 1), 170K6390 (Size 2), 170K6392 (Size 3)

## Square Body Fuse Links

Size 000 to 3, DIN 43620 - Dual Indicator Fuse Links, 170M Series  
690Vac (IEC), 700Vac (UL), 10 to 1600A

### Catalogue Numbers

Dual Indicator	Fuse Link Size	Rated Voltage	Rated Current (Amps)	I <sup>2</sup> t (A <sup>2</sup> Sec)		Watts Loss (W)	
				Pre-Arcing	Clearing at 690Vac		
170M1558D	000		10	4	27	2.5	
170M1559D			16	7	51	4	
170M1560D			20	11.5	82.5	5	
170M1561D			25	19	140	6	
170M1562D			32	40	285	7	
170M1563D			40	65	490	8.5	
170M1564D			50	115	815	9.5	
170M1565D			63	215	1550	11.5	
170M1566D			80	380	2700	15	
170M1567D			100	695	4950	16.5	
170M1568D			125	1180	8250	21.5	
170M1569D			160	2300	16,500	25	
170M1570D			200	4350	31,000	29.5	
170M1571D			250	7900	56,000	35.5	
170M1572D			00		315	12,000	84,500
170M3808D	1	690Vac (IEC)	40	40	285	4	
170M3809D			50	78	550	4.5	
170M3810D			63	120	850	6.5	
170M3811D			80	185	1350	8.5	
170M3812D			100	360	2600	10	
170M3813D			125	550	3900	11	
170M3814D			160	1150	8250	12	
170M3815D			200	2300	16,500	12.5	
170M3816D			250	4350	31,000	16	
170M3817D			315	7300	52,000	20	
170M3818D		350	10,000	73,000	21.5		
170M3819D		400	16,000	115,000	23		
170M4863D		700Vac (UL)	450	21,500	155,000	26.5	
170M4864D			500	27,000	190,000	28.5	
170M4865D			550	33,500	240,000	33	
170M4866D			630	48,500	345,000	37.5	
170M4867D <sup>1</sup>			700	69,500	495,000	39	
170M5808D			2	400	11,000	79,000	29
170M5809D				450	16,000	115,000	32
170M5810D				500	21,500	155,000	34
170M5811D				550	29,000	215,000	36
170M5812D	630	41,000		295,000	42		
170M5813D	700	60,500		430,000	43		
170M5814D	800	86,000		610,000	48		
170M5820D	900	125,000		895,000	52		
170M5816D	1000	180,000		1,300,000	53		
170M5817D	1100	245,000		1,750,000	56		
170M6808D	3	500	14,000	99,500	43		
170M6809D		550	19,500	140,000	44		
170M6810D		630	31,000	220,000	45		
170M6811D		700	45,000	320,000	46		
170M6812D		800	69,500	490,000	48		
170M6813D		900	100,000	720,000	50		
170M6814D		1000	140,000	985,000	56		
170M6892D		1100	190,000	1,400,000	57		
170M8554D		1250	300,000	2,150,000	61		
170M8555D		1400	380,000	2,700,000	70		
170M8556D		1500	470,000	3,350,000	72		
170M8557D		1600	585,000	4,150,000	74		

<sup>1</sup> 170M4867D is not UL recognised

## Square Body Fuse Links

Size 00, DIN 43620, 170M Series  
1000Vac (IEC and UL), 20 to 225A

### Specifications

#### Description

Square body DIN 43620 blade style high speed fuse links for the protection of DC common bus, DC drives, power converters/rectifiers and reduced voltage starters.

#### Technical Data

Rated Voltage: 1000Vac (IEC and UL) / 900Vac (200 and 225A)  
Rated Current: 20-225A  
Breaking Capacity: 125kA RMS Sym.

Operating Class: aR

#### Standards/Agency Information

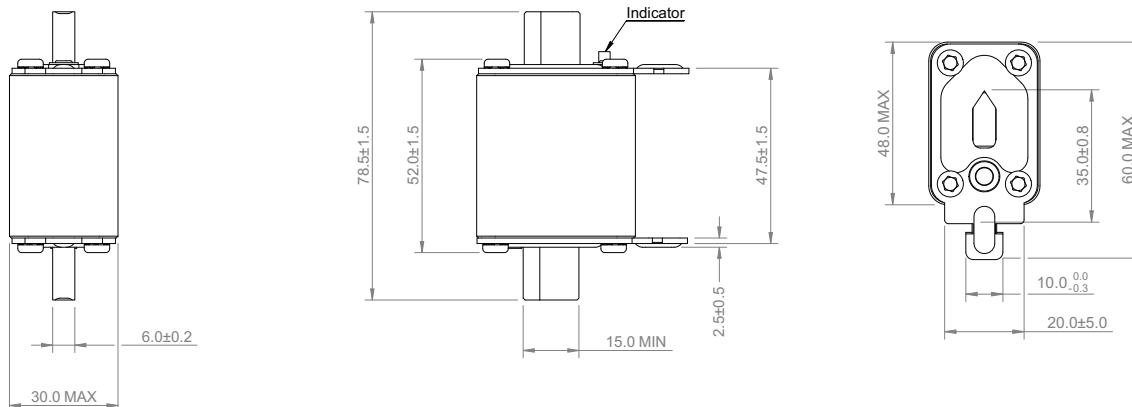
CE, Designed and tested to IEC60269 Part 4, UL Recognised/CSA Component Acceptance status (20-160A).



#### Catalogue Numbers

Type T Indicator for Micro	Fuse Link Size	Rated Voltage	Rated Current (Amps)	I <sup>2</sup> t (A <sup>2</sup> Sec)		Watts Loss (W)	
				Pre- Arcing	Clearing at 1000Vac		
170M2673	00	1000Vac (IEC/UL)	20	15	110	8.5	
170M2674			25	28.5	210	9.5	
170M2675			32	53	390	11	
170M2676			35	69	500	12	
170M2677			40	105	760	13	
170M2678			50	215	1550	14	
170M2679			63	380	2750	16	
170M2680			80	815	5900	18	
170M2681			100	1550	11,500	21	
170M2682			125	3000	22,000	23	
170M2683			160	6250	45,000	26	
170M2684			900Vac (IEC)	200	12,000	86,500	31
170M2685				225	18,000	115,000	33

#### Dimensions - mm



Data Sheet: 170K8506

## Square Body Fuse Links

Size 1\* to 3, French Style, 170M Series  
690Vac (IEC), 700Vac (UL), 40 to 1600A

### Specifications

#### Description

Square body French style high speed fuse links for the protection of DC common bus, DC drives, power converters/rectifiers and reduced voltage starters.

#### Technical Data

Rated Voltage: 690Vac (IEC), 700Vac (UL)

Rated Current: 40-1600A

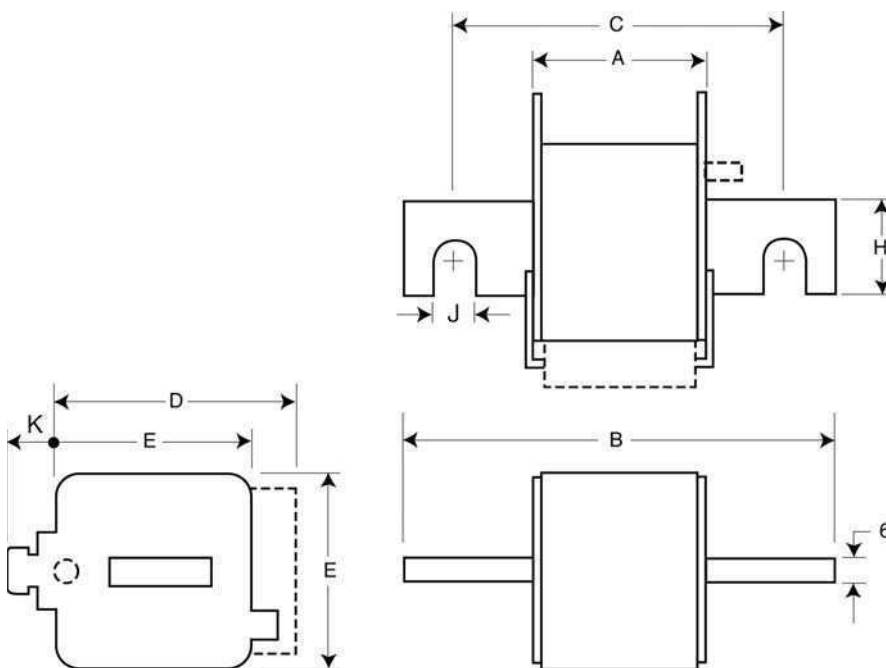
Breaking Capacity: 200kA RMS Sym.

Operating Class: aR

#### Standards/Agency Information

CE, Designed and tested to IEC60269 Part 4, UL Recognised, CCC approved.

#### Dimensions - mm



#### Type -E/-, -EKN/-

Size	A	B	C	D	E	H	J	K
1*	50	102	76	59	45	18	9	13
1	50	111	86	69	53	25	11	11
2	50	126	91	77	61	30	13	12
3	51	126	91	92	76	36	13	13

Data Sheets: 170K6314 (Size 1\*), 170K6316 (Size 1), 170K6318 (Size 2), 170K6320 (Size 3)

## Square Body Fuse Links

Size 1\* to 3, French Style, 170M Series  
690Vac (IEC), 700Vac (UL), 40 to 1600A

### Catalogue Numbers

-E/- Type T Indicator for Micro	-EKN/- Type K Indicator for Micro	Fuse Link Size	Rated Voltage	Rated Current (Amps)	I <sup>2</sup> t (A <sup>2</sup> Sec)		Watts Loss (W)		
					Pre- Arcing	Clearing at 660Vac			
170M3308	170M3358	1*		40	40	270	9		
170M3309	170M3359			50	77	515	11		
170M3310	170M3360			63	115	770	14		
170M3311	170M3361			80	185	1250	18		
170M3312	170M3362			100	360	2450	21		
170M3313	170M3363			125	550	3700	26		
170M3314	170M3364			160	1100	7500	30		
170M3315	170M3365			200	2200	15,000	35		
170M3316	170M3366			250	4200	28,500	40		
170M3317	170M3367			315	7000	46,500	50		
170M3318	170M3368			350	10,000	68,500	55		
170M3319	170M3369			400	15,000	105,000	60		
170M3320	170M3370			450	21,000	140,000	65		
170M3321	170M3371			500	27,000	180,000	70		
170M4308	170M4358	1	690Vac (IEC)  700Vac (UL)	200	1650	11,500	45		
170M4309	170M4359			250	3100	21,000	55		
170M4310	170M4360			315	6200	42,000	58		
170M4311	170M4361			350	8500	59,000	60		
170M4312	170M4362			400	13,500	91,500	65		
170M4313	170M4363			450	17,000	120,000	70		
170M4314	170M4364			500	25,000	170,000	72		
170M4315	170M4365			550	34,000	230,000	75		
170M4316	170M4366			630	52,000	350,000	80		
170M4317	170M4367			700	69,500	465,000	85		
170M4318	170M4368			800	105,000	725,000	95		
170M5308	170M5358			2		400	11,000	74,000	65
170M5309	170M5359					450	15,500	105,000	70
170M5310	170M5360					500	21,500	145,000	75
170M5311	170M5361	550	28,000			190,000	80		
170M5312	170M5362	630	41,000			275,000	90		
170M5313	170M5363	700	60,500			405,000	95		
170M5314	170M5364	800	86,000			575,000	105		
170M5315	170M5365	900	125,000			840,000	110		
170M5316	170M5366	1000	180,000			1,250,000	115		
170M6308	170M6358	3				500	14,000	95,000	95
170M6309	170M6359			550	19,500	135,000	100		
170M6310	170M6360			630	31,000	210,000	105		
170M6311	170M6361			700	44,500	300,000	110		
170M6312	170M6362			800	69,500	465,000	115		
170M6313	170M6363			900	100,000	670,000	120		
170M6314	170M6364			1000	140,000	945,000	125		
170M6315	170M6365			1100	190,000	1,300,000	130		
170M6316	170M6366			1250	290,000	1,950,000	140		
170M6317	170M6367			1400	370,000	2,450,000	155		
170M6318	170M6368			1500	460,000	3,100,000	160		
170M6319	170M6369			1600	580,000	3,900,000	160		

Data Sheets: 170K6314 (Size 1\*), 170K6316 (Size 1), 170K6318 (Size 2), 170K6320 (Size 3)

## Square Body Fuse Links

Size 1\* to 3, US Style, 170M Series  
690Vac (IEC), 700Vac (UL), 40 to 2000A

### Specifications

#### Description

Square body US style bolted tags high speed fuse links for the protection of DC common bus, DC drives, power converters/rectifiers and reduced voltage starters.

#### Technical Data

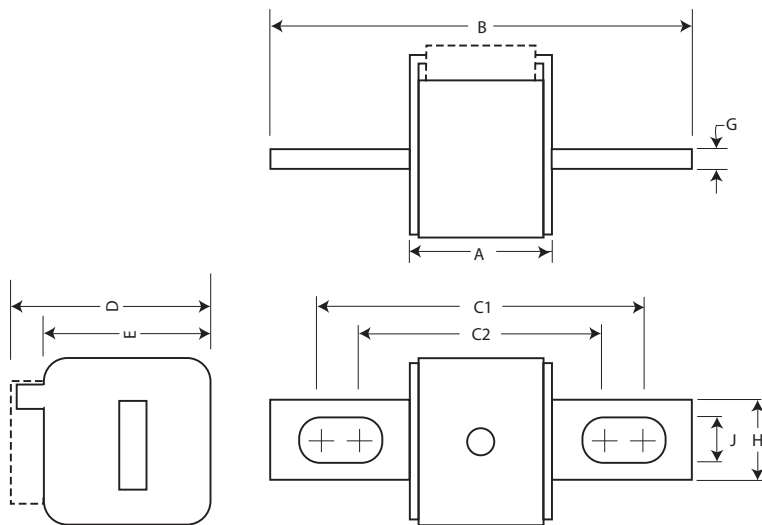
Rated Voltage: see table page 52  
Rated Current: 40-2000A  
Breaking Capacity: 200kA RMS Sym.

Operating Class: aR

#### Standards/Agency Information

CE, Designed and tested to IEC60269 Part 4. Consult Cooper Bussmann for UL Recognition/CSA Component Acceptance status and CCC approvals.

#### Dimensions - mm



#### Type -FU/-, -FKE/-, FU/115-, -FKE/115

Size	A	B	B <sup>1</sup>	C1	C1 <sup>1</sup>	C2	C2 <sup>1</sup>	D	E	G	H	J
1*	50	110	148	85	123	72	110	59	45	6	20	10
1	50	136	157	104	126	78	100	69	53	6	25	14
2	50	135	159	105	125	78	99	77	61	6	25	14
3	51	135	155	106	125	77	97	92	76	6	36	16

<sup>1</sup> Valid for fuse links type -FU/115 & -FKE/115.

1mm = 0.0394" / 1" = 25.4mm

## Square Body Fuse Links

Size 1\* to 3, US Style, 170M Series  
690Vac (IEC), 700Vac (UL), 40 to 2000A

### Catalogue Numbers

-FU/- Without Indicator	-FKE/- Type K Indicator for Micro	-FU/115 Without Indicator	-FKE/115 Type K Indicator for Micro	Fuse Link Size	Rated Voltage	Rated Current (Amps)	I <sup>2</sup> t (A <sup>2</sup> Sec)		Watts Loss (W)		
							Pre- Arcing	Clearing at 660Vac			
170M3608	170M3658	170M3708	170M3758	1*	690Vac (IEC)	40	40	270	9		
170M3609	170M3659	170M3709	170M3759			50	70	515	11		
170M3610	170M3660	170M3710	170M3760			63	115	770	14		
170M3611	170M3661	170M3711	170M3761			80	185	1250	18		
170M3612	170M3662	170M3712	170M3762			100	360	2450	21		
170M3613	170M3663	170M3713	170M3763			125	550	3700	26		
170M3614	170M3664	170M3714	170M3764			160	1100	7500	30		
170M3615	170M3665	170M3715	170M3765			200	2200	15,000	35		
170M3616	170M3666	170M3716	170M3766			250	4200	28,500	40		
170M3617	170M3667	170M3717	170M3767			315	7000	46,500	50		
170M3618	170M3668	170M3718	170M3768			350	10,000	68,500	55		
170M3619	170M3669	170M3719	170M3769			400	15,000	105,000	60		
170M3620	170M3670	170M3720	170M3770			450	21,000	140,000	65		
170M3621	170M3671	170M3721	170M3771			500	27,000	180,000	70		
170M3622	170M3672	170M3722	170M3772			550	34,000	230,000	75		
170M3623	170M3673	170M3723	170M3773			630	48,500	325,000	80		
170M4608	170M4658	170M4708	170M4758			1	700Vac (UL)	200	1650	11,500	45
170M4609	170M4659	170M4709	170M4759					250	3100	21,000	55
170M4610	170M4660	170M4710	170M4760					315	6200	42,000	58
170M4611	170M4661	170M4711	170M4761					350	8500	59,000	60
170M4612	170M4662	170M4712	170M4762	400	13,500			91,500	65		
170M4613	170M4663	170M4713	170M4763	450	17,000			120,000	70		
170M4614	170M4664	170M4714	170M4764	500	25,000			170,000	72		
170M4615	170M4665	170M4715	170M4765	550	34,000			230,000	75		
170M4616	170M4666	170M4716	170M4766	630	52,000			350,000	80		
170M4617	170M4667	170M4717	170M4767	700	69,500			465,000	85		
170M4618	170M4668	170M4718	170M4768	800	105,000			725,000	95		
170M4619	170M4669	170M4719	170M4769	900	155,000			850,000	100		
170M5608	170M5658	170M5708	170M5758	2	690Vac (IEC)			400	11,000	74,000	65
170M5609	170M5659	170M5709	170M5759					450	15,500	105,000	70
170M5610	170M5660	170M5710	170M5760					500	21,500	145,000	75
170M5611	170M5661	170M5711	170M5761					550	28,000	190,000	80
170M5612	170M5662	170M5712	170M5762					630	41,000	275,000	90
170M5613	170M5663	170M5713	170M5763					700	60,500	405,000	95
170M5614	170M5664	170M5714	170M5764					800	86,000	575,000	105
170M5615	170M5665	170M5715	170M5765					900	125,000	840,000	110
170M5616	170M5666	170M5716	170M5766			1000	180,000	1,250,000	115		
170M5617	170M5667	170M5717	170M5767			1100	245,000	1,600,000	120		
170M5618	170M5668	170M5718	170M5768	1250	365,000	2,400,000	130				
170M6608	170M6658	170M6708	170M6758	3	690Vac (IEC)	500	14,000	95,000	95		
170M6609	170M6659	170M6709	170M6759			550	19,500	135,000	100		
170M6610	170M6660	170M6710	170M6760			630	31,000	210,000	105		
170M6611	170M6661	170M6711	170M6761			700	44,500	300,000	110		
170M6612	170M6662	170M6712	170M6762			800	69,500	465,000	115		
170M6613	170M6663	170M6713	170M6763			900	100,000	670,000	120		
170M6614	170M6664	170M6714	170M6764			1000	140,000	945,000	125		
170M6615	170M6665	170M6715	170M6765			1100	190,000	1,300,000	130		
170M6616	170M6666	170M6716	170M6766			1250	290,000	1,950,000	140		
170M6617	170M6667	170M6717	170M6767			1400	370,000	2,450,000	155		
170M6618	170M6668	170M6718	170M6768			1500	460,000	3,100,000	160		
170M6619	170M6669	170M6719	170M6769			1600	580,000	3,900,000	160		
170M6620	170M6670	170M6720	170M6770			1800	880,000	5,250,000	165		
170M6621	170M6671	170M6721	170M6771			2000	1,150,000	6,350,000	175		

Data Sheets: 170K6314 (Size 1\*), 170K6316 (Size 1), 170K6318 (Size 2), 170K6320 (Size 3)



## Square Body Fuse Links

Size 1\* to 3, US Style, 170M Series  
1000Vac (IEC), 50 to 1400A

### Specifications

#### Description

Square body US style bolted tags high speed fuse links for the protection of DC common bus, DC drives, power converters/rectifiers and reduced voltage starters.

#### Technical Data

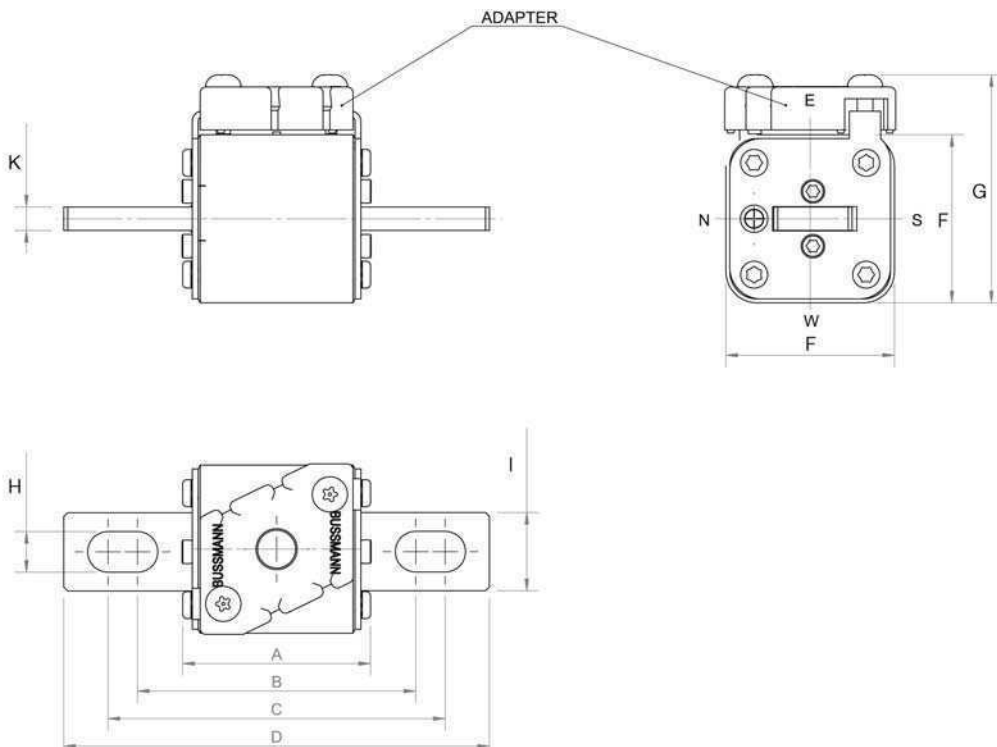
Rated Voltage: 1000Vac (IEC), 900Vac (IEC, 1400A)  
Rated Current: 50-1400A  
Breaking Capacity: 125kA RMS Sym.

Operating Class: aR

#### Standards/Agency Information

CE, Designed and tested to IEC60269 Part 4. UL Recognised/CSA Component Acceptance status for size 2 and 3 (315-1100A) and CCC approval for size 2 only.

#### Dimensions - mm



Size	A	B	C	D	F	G	H	I	K
1*FKE/115	74	101	130	156	43	60	10.4	20	6
1FKE/115	76	102	128	160	51	68	14.3	25	6
2FKE/115	76	101.1	127.5	160	59	76	14.4	25	6
3FKE/115	76	101.1	127.5	158	74	91	16	36	6

1mm = 0.0394" / 1" = 25.4mm

Data Sheets: 170K8564 (Size 1\*), 170K8566 (Size 1), 170K8568 (Size 2), 170K8570 (Size 3)

## Square Body Fuse Links

Size 1\* to 3, US Style, 170M Series  
1000Vac (IEC), 50 to 1400A

### Catalogue Numbers

-FKE/115 Type K Indicator for Micro	Fuse Link Size	Rated Voltage	Rated Current (Amps)	I <sup>2</sup> t (A <sup>2</sup> Sec)		Watts Loss (W)	
				Pre- Arcing	Clearing at 1000Vac		
170M3531	1*	1000Vac (IEC)	50	135	815	20	
170M3532			63	215	1300	25	
170M3533			80	460	2750	30	
170M3534			100	860	5100	35	
170M3535			125	1450	8600	40	
170M3536			160	2850	17,500	45	
170M3537			200	4950	29,500	50	
170M3538			250	9550	57,000	55	
170M3539			315	21,500	130,000	65	
170M3540			350	29,000	175,000	70	
170M3541			400	42,000	250,000	75	
170M4531	1	1000Vac (IEC)	160	2200	13,500	40	
170M4532			200	4150	24,500	50	
170M4533			250	7750	46,000	55	
170M4534			315	16,500	98,500	65	
170M4535			350	21,500	130,000	70	
170M4536			400	31,000	185,000	75	
170M4537			450	44,500	265,000	80	
170M4538			500	63,000	375,000	85	
170M4539			550	84,500	500,000	90	
170M4540			630	125,000	755,000	98	
170M5531			2	1000Vac (IEC/UL)	250	6750	40,000
170M5532	315	13,500			81,500	75	
170M5533	350	16,500			99,000	80	
170M5534	400	26,000			155,000	85	
170M5535	450	35,500			210,000	90	
170M5536	500	49,500			295,000	95	
170M5337	550	66,000			390,000	100	
170M5538	630	93,500			555,000	110	
170M5539	700	130,000			770,000	115	
170M5540	800	195,000			1,200,000	125	
170M8531	3	1000Vac (IEC/UL)			315	9200	54,500
170M8532			350	13,000	77,500	95	
170M8533			400	19,000	115,000	105	
170M8534			450	27,000	160,000	107	
170M8535			500	37,500	225,000	110	
170M8536			550	52,000	310,000	115	
170M8537			630	82,500	490,000	120	
170M8538			700	115,000	700,000	125	
170M8539			800	170,000	1,050,000	135	
170M8540			900	250,000	1,500,000	145	
170M8541			1000	340,000	2,050,000	150	
170M8542			1100	460,000	2,750,000	155	
170M8543			1000Vac (IEC)	1250	575,000	3,400,000	175
170M8544			900Vac (IEC)	1400	795,000	4,200,000	185

Data Sheets: 170K8564 (Size 1\*), 170K8566 (Size 1), 170K8568 (Size 2), 170K8570 (Size 3)

## Square Body Fuse Links

### Size 1\* to 3, US Style, 170M Series

1250Vac (IEC), 1300Vac (UL), 50 to 1400A

#### Specifications

##### Description

Square body US style bolted tags high speed fuse links for the protection of DC common bus, DC drives, power converters/rectifiers and reduced voltage starters.

##### Technical Data

Rated Voltage: 1250Vac (IEC), 1300Vac (UL)

Rated Current: 50-1400A

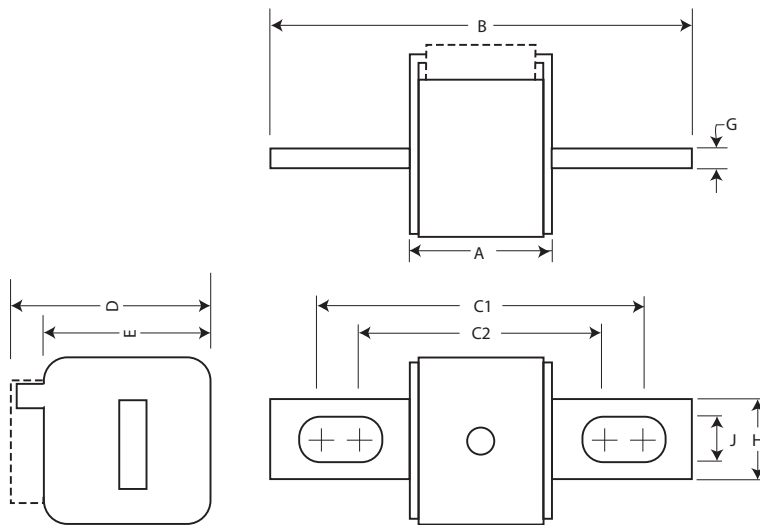
Breaking Capacity: 100kA RMS Sym.

Operating Class: aR

##### Standards/Agency Information

CE, Designed and tested to IEC 60269 part 4. Consult Bussmann for UL Recognition/CSA Component Acceptance status and CCC approvals.

##### Dimensions - mm



#### Type -FU/115, -FKE/115

Size	A	B	C1	C2	D	E	G	H	J
1*	74	156	130	101	59	45	6	20	10
1	76	160	127	102	69	53	6	25	14
2	76	160	127	102	77	61	6	25	14
3	76	159	128	101	92	76	6	36	16

## Square Body Fuse Links

Size 1\* to 3, US Style, 170M Series  
1250Vac (IEC), 1300Vac (UL), 50 to 1400A

### Catalogue Numbers

-FU/115 Without Indicator	-FKE/115 Type K Indicator for Micro	Fuse Link Size	Rated Voltage	Rated Current (Amps)	I <sup>2</sup> t (A <sup>2</sup> Sec)			Watts Loss (W)		
					Pre- Arcing	Clearing at 1000Vac	Clearing at 1250Vac			
170M3688	170M3738	1*	1250Vac (IEC)	50	135	815	1100	15		
170M3689	170M3739			63	215	1300	1750	20		
170M3690	170M3740			80	420	2500	3350	25		
170M3691	170M3741			100	750	4450	5950	30		
170M3692	170M3742			125	1450	9000	11,500	35		
170M3693	170M3743			160	2600	16,000	21,000	40		
170M3694	170M3744			200	5150	31,000	41,000	45		
170M3695	170M3745			250	9200	54,500	73,000	55		
170M3696	170M3746			315	18,500	115,000	150,000	60		
170M3697	170M3747			350	27,000	165,000	220,000	65		
170M4688	170M4738			1	1300Vac (UL)	160	1900	11,500	15,500	45
170M4689	170M4739					200	3800	22,500	30,000	50
170M4690	170M4740					250	7750	46,000	61,500	60
170M4691	170M4741					315	15,000	90,000	120,000	65
170M4692	170M4742					350	20,000	125,000	165,000	70
170M4693	170M4743					400	29,500	175,000	235,000	75
170M4694	170M4744					450	42,000	250,000	335,000	80
170M4695	170M4745	500	69,500			340,000	N/A	85		
170M4696	170M4746	550	95,000			465,000	N/A	95		
170M4697	170M4747	630	130,000			660,000	N/A	100		
170M5688	170M5738	2	1250Vac (IEC)			250	6500	38,500	51,500	65
170M5689	170M5739					280	9350	55,500	74,500	70
170M5690	170M5740					315	13,000	77,500	105,000	75
170M5691	170M5741					350	16,500	97,500	135,000	80
170M5692	170M5742					400	23,000	140,000	180,000	85
170M5693	170M5743					450	34,000	205,000	270,000	90
170M5694	170M5744					500	48,000	285,000	380,000	95
170M5695	170M5745			550	62,000	370,000	495,000	100		
170M5696	170M5746			630	115,000	575,000	730,000	120		
170M5697	170M5747			700	160,000	795,000	N/A	125		
170M5698	170M5748			800	245,000	1,200,000	N/A	130		
170M5699	170M5749			900	360,000	1,750,000	N/A	135		
170M5700	170M5750			1000	480,000	2,350,000	N/A	145		
170M6688	170M6738			3	1250Vac (IEC)	315	9500	58,000	77,500	85
170M6689	170M6739					350	13,500	81,500	110,000	90
170M6690	170M6740					400	19,000	120,000	160,000	95
170M6691	170M6741					450	31,000	185,000	245,000	100
170M6692	170M6742	500	39,000			235,000	310,000	105		
170M6693	170M6743	550	55,000			325,000	435,000	110		
170M6694	170M6744	630	83,500			495,000	665,000	115		
170M6695	170M6745	700	115,000			705,000	940,000	120		
170M6696	170M6746	800	205,000			995,000	1,300,000	125		
170M6697	170M6747	900	305,000			1,500,000	1,900,000	130		
170M6698	170M6748	1000	450,000			2,150,000	N/A	135		
170M6699	170M6749	1100	575,000			2,800,000	N/A	160		
170M6700	170M6750	1250	810,000			3,950,000	N/A	170		
170M6701	170M6751	1400	1,250,000			6,000,000	N/A	175		

Data Sheets: 170K6630 (Size 1\*), 170K6632 (Size 1), 170K6634 (Size 2), 170K6636 (Size 3)

## Square Body Fuse Links

Size 00, Flush End Contact, 170M Series  
690Vac, 25 to 400A

### Specifications

#### Description

Square body flush end contact high speed fuse links, for the protection of DC common bus, DC drives, power converters/rectifiers and reduced voltage starters.

#### Technical Data

Rated Voltage: 690Vac (IEC)  
Rated Current: 25-400A  
Breaking Capacity: 200kA RMS Sym.

#### Operating Class

gR (25-80A), aR (100-400A)

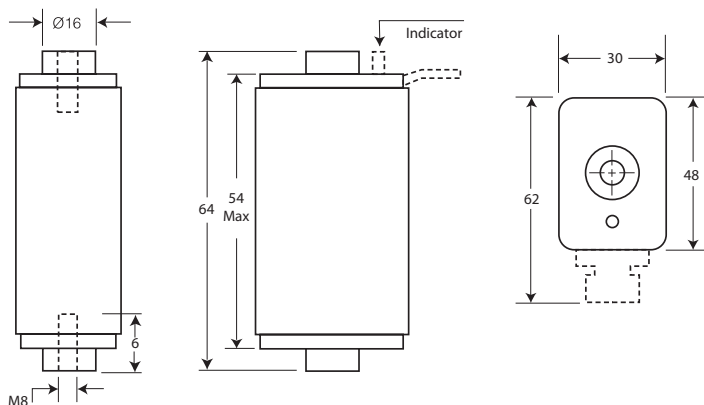
#### Standards/Agency Information

CE, Designed and tested to IEC 60269 Part 4.

#### Catalogue Numbers

00B/60 Visual Indicator	00BTN/60 Type T Indicator for Micro	Fuse Link Size	Rated Voltage	Rated Current (Amps)	I <sup>2</sup> t (A <sup>2</sup> Sec)		Watts Loss (W)
					Pre- Arcing	Clearing at 660Vac	
170M2708	170M2758	00	690Vac (IEC)	25	19	130	6
170M2709	170M2759			32	28.5	195	7
170M2710	170M2760			40	50	360	9
170M2711	170M2761			50	95	640	10
170M2712	170M2762			63	170	1200	12
170M2713	170M2763			80	310	2100	15
170M2714	170M2764			100	620	4150	20
170M2715	170M2765			125	1000	6950	25
170M2716	170M2766			160	1900	13,000	30
170M2717	170M2767			200	3400	23,000	35
170M2718	170M2768			250	6250	42,000	45
170M2719	170M2769			315	10,000	68,500	55
170M2720	170M2770			350	13,500	91,500	60
170M2721	170M2771			400	18,000	125,000	70

#### Dimensions - mm



Data Sheet: 170K6312



## Square Body Fuse Links

Size 1\* to 3, Flush End Contact, 170M Series  
690Vac (IEC), 700Vac (UL), 40 to 2000A

### Specifications

#### Description

Square body flush end contact high speed fuse links, for the protection of DC common bus, DC drives, power converters/rectifiers and reduced voltage starters.

#### Technical Data

Rated Voltage: see table  
Rated Current: 40-2000A  
Breaking Capacity: 200kA RMS Sym.

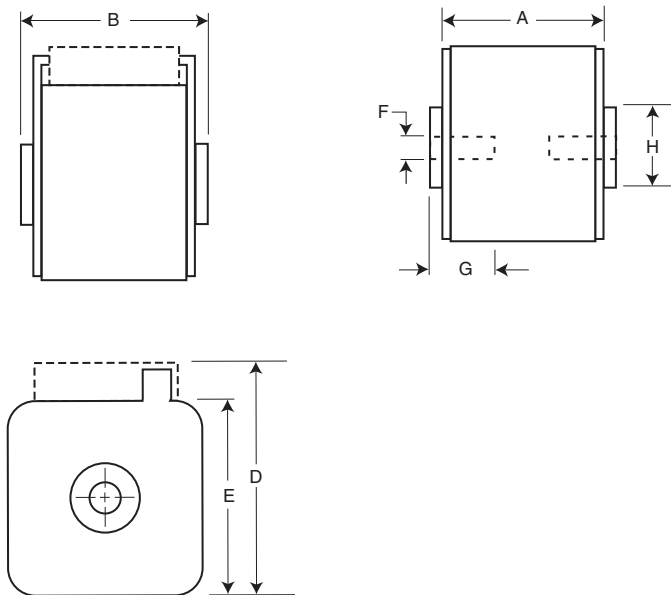
Operating Class: aR

#### Standards/Agency Information

CE, Designed and tested to IEC 60269 Part 4. Consult Cooper Bussmann for UL Recognition, CSA Component Acceptance Status and CCC approvals.



### Dimensions - mm



Type -B/-, -BKN/-, -G/-, -GKN/-

Size	A	B	D <sup>3</sup>	E	F	F <sup>1</sup> (in)	G	H
1*	50	51	59	45	M8	$\frac{5}{16}$ " -18 UNC-2B	5	N17
1	50	51	69	53	M8	$\frac{5}{16}$ " -18 UNC-2B	8	N20
2	50	51 <sup>2</sup>	77	61	M10	$\frac{3}{8}$ " -16 UNC-2B	10	N24
3	51	53 <sup>2</sup>	92	76	M12	$\frac{1}{2}$ " -13 UNC-2B	10	N30

<sup>1</sup> Valid for fuse links type -G- & -GKN/.

<sup>2</sup> B = 65 for size 2 1100 and 1250A / size 3 from 1600 to 2000A.

<sup>3</sup> Valid for fuse links type -BKN/ and -GKN/.

Data Sheets: 170K6314 (Size 1\*), 170K6316 (Size 1), 170K6318 (Size 2), 170K6320 (Size 3)

## Square Body Fuse Links

Size 1\* to 3, Flush End Contact, 170M Series  
690Vac (IEC), 700Vac (UL), 40 to 2000A

### Catalogue Numbers

-B/- Visual Indicator	-BKN/- Type K Indicator for Micro	-G/- Visual Indicator	-GKN/- Type K Indicator for Micro	Fuse Link Size	Rated Voltage	Rated Current (Amps)	I <sup>2</sup> t (A <sup>2</sup> Sec)		Watts Loss (W)	
							Pre- Arcing	Clearing at 660Vac		
170M3408	170M3458	170M3508	170M3558	1*	690Vac (IEC)	40	40	270	9	
170M3409	170M3459	170M3509	170M3559			50	77	515	11	
170M3410	170M3460	170M3510	170M3560			63	115	770	14	
170M3411	170M3461	170M3511	170M3561			80	185	1250	18	
170M3412	170M3462	170M3512	170M3562			100	360	2450	21	
170M3413	170M3463	170M3513	170M3563			125	550	3700	26	
170M3414	170M3464	170M3514	170M3564			160	1100	7500	30	
170M3415	170M3465	170M3515	170M3565			200	2200	15,000	35	
170M3416	170M3466	170M3516	170M3566			250	4200	28,500	40	
170M3417	170M3467	170M3517	170M3567			315	7000	46,500	50	
170M3418	170M3468	170M3518	170M3568		350	10,000	68,500	55		
170M3419	170M3469	170M3519	170M3569		400	15,000	105,000	60		
170M3420	170M3470	170M3520	170M3570		450	21,000	140,000	65		
170M3421	170M3471	170M3521	170M3571		500	27,000	180,000	70		
170M3422	170M3472	170M3522	170M3572		550	34,000	230,000	75		
170M3423	170M3473	170M3523	170M3573		630	48,500	325,000	80		
170M4408	170M4458	170M4508	170M4558		1	700Vac (UL)	200	1650	11,500	45
170M4409	170M4459	170M4509	170M4559				250	3100	21,000	55
170M4410	170M4460	170M4510	170M4560				315	6200	42,000	58
170M4411	170M4461	170M4511	170M4561				350	8500	59,000	60
170M4412	170M4462	170M4512	170M4562	400			13,500	91,500	65	
170M4413	170M4463	170M4513	170M4563	450			17,000	120,000	70	
170M4414	170M4464	170M4514	170M4564	500			25,000	170,000	72	
170M4415	170M4465	170M4515	170M4565	550			34,000	230,000	75	
170M4416	170M4466	170M4516	170M4566	630			52,000	350,000	80	
170M4417	170M4467	170M4517	170M4567	700			69,500	465,000	85	
170M4418	170M4468	170M4518	170M4568	800	105,000	725,000	95			
170M4419	170M4469	170M4519	170M4569	900	155,000	850,000	100			
170M5408	170M5458	170M5508	170M5558	2	690Vac (IEC)	400	11,000	74,000	65	
170M5409	170M5459	170M5509	170M5559			450	15,500	105,000	70	
170M5410	170M5460	170M5510	170M5560			500	21,500	145,000	75	
170M5411	170M5461	170M5511	170M5561			550	28,000	190,000	80	
170M5412	170M5462	170M5512	170M5562			630	41,000	275,000	90	
170M5413	170M5463	170M5513	170M5563		700Vac (UL)	700	60,500	405,000	95	
170M5414	170M5464	170M5514	170M5564			800	86,000	575,000	105	
170M5415	170M5465	170M5515	170M5565			900	125,000	840,000	110	
170M5416	170M5466	170M5516	170M5566			1000	180,000	1,250,000	115	
170M5417	170M5467	170M5517	170M5567			600Vac (IEC) 700Vac (UL)	1100	245,000	1,600,000	120
170M5418	170M5468	170M5518	170M5568	1250	365,000	2,400,000	130			
170M6408	170M6458	170M6508	170M6558	3	690Vac (IEC)  700Vac (UL)	500	14,000	95,000	95	
170M6409	170M6459	170M6509	170M6559			550	19,500	135,000	100	
170M6410	170M6460	170M6510	170M6560			630	31,000	210,000	105	
170M6411	170M6461	170M6511	170M6561			700	44,500	300,000	110	
170M6412	170M6462	170M6512	170M6562			800	69,500	465,000	115	
170M6413	170M6463	170M6513	170M6563			900	100,000	670,000	120	
170M6414	170M6464	170M6514	170M6564			1000	140,000	945,000	125	
170M6415	170M6465	170M6515	170M6565			1100	190,000	1,300,000	130	
170M6416	170M6466	170M6516	170M6566			1250	290,000	1,950,000	140	
170M6417	170M6467	170M6517	170M6567			1400	370,000	2,450,000	155	
170M6418	170M6468	170M6518	170M6568			1500	460,000	3,100,000	160	
170M6419	170M6469	170M6519	170M6569			1600	580,000	3,900,000	160	
170M6420	170M6470	170M6520	170M6570			600Vac (IEC)/500Vac (UL)	1800	880,000	5,250,000	165
170M6421	170M6471	170M6521	170M6571			550Vac (IEC)/500Vac (UL)	2000	1,150,000	6,350,000	175

Data Sheets: 170K6314 (Size 1\*), 170K6316 (Size 1), 170K6318 (Size 2), 170K6320 (Size 3)

## Square Body Fuse Links

Size 1\* to 3, Flush End Contact, 170M Series  
1000Vac (IEC and UL), 50 to 1400A

### Specifications

#### Description

Square body flush end contact high speed fuse links, for the protection of DC common bus, DC drives, power converters/rectifiers and reduced voltage starters.

#### Technical Data

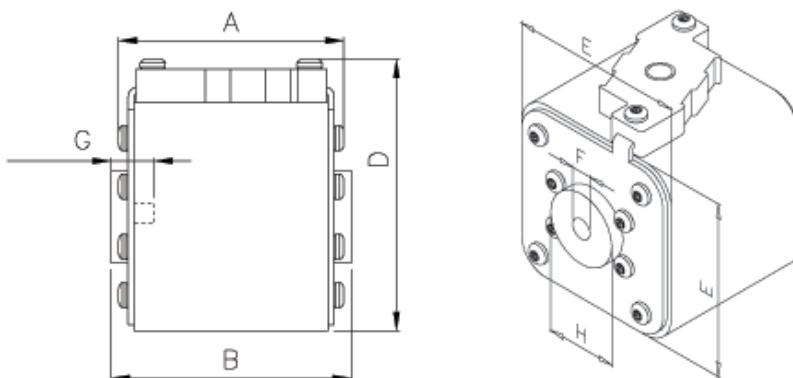
Rated Voltage: 1000Vac (IEC, 50-1250A),  
1000Vac (UL, 250-1100A)  
900Vac (IEC, 1400A)  
Rated Current: 50-1400A  
Breaking Capacity: 125kA RMS Sym.

Operating Class: aR

#### Standards/Agency Information

CE, Designed and tested to IEC 60269 Part 4, UL Recognised for size 2 and 3 (only up to 1100A)

#### Dimensions - mm



#### Type -BKN/- and -GKN/-

Size	Type	A	B	D (max)	E	F	F <sup>1</sup> (in)	G (min)	H
1*	BKN/75 + GKN/75	72.5	74	61	43	M8	<sup>5</sup> / <sub>16</sub> " 18 UNC-2B	5	17.5
1	BKN/75 + GKN/75	73.2	74	69	52	M8	<sup>5</sup> / <sub>16</sub> " 18 UNC-2B	8	20
2	BKN/75 + GKN/75	73.2	74.4	77	59	M10	<sup>3</sup> / <sub>8</sub> " 16 UNC-2B	10	24.5
3	BKN/75 + GKN/75	73.3	75.4	92	74	M12	<sup>1</sup> / <sub>2</sub> " 13 UNC-2B	10	30
3	BKN/90 + GKN/90	80.3	91.4	92	74	M12	<sup>1</sup> / <sub>2</sub> " 13 UNC-2B	10	30

<sup>1</sup> Valid for fuses type -GKN/-.



## Square Body Fuse Links

Size 1\* to 3, Flush End Contact, 170M Series  
1000Vac (IEC and UL), 50 to 1400A

### Catalogue Numbers

-BKN/- Type K Indicator for Micro	-GKN/- Type K Indicator for Micro	Fuse Link Size	Rated Voltage	Rated Current (Amps)	I <sup>2</sup> t (A <sup>2</sup> Sec)		Watts Loss (W)		
					Pre- Arcing	Clearing at Rated Voltage			
170M3951	170M3921	1*	1000Vac (IEC)	50	135	815	20		
170M3952	170M3922			63	215	1300	25		
170M3953	170M3923			80	460	2750	30		
170M3954	170M3924			100	860	5100	35		
170M3955	170M3925			125	1450	8600	40		
170M3956	170M3926			160	2850	17,500	45		
170M3957	170M3927			200	4950	29,500	50		
170M3958	170M3928			250	9550	57,000	55		
170M3959	170M3929			315	21,500	130,000	65		
170M3960	170M3930			350	29,000	175,000	70		
170M3961	170M3931			400	42,000	250,000	75		
170M4951	170M4921			1	1000Vac (IEC)	160	2200	13,500	40
170M4952	170M4922					200	4150	24,500	45
170M4953	170M4923	250	7750			46,000	52		
170M4954	170M4924	315	16,500			98,500	60		
170M4955	170M4925	350	21,500			130,000	65		
170M4956	170M4926	400	31,000			185,000	70		
170M4957	170M4927	450	44,500			265,000	80		
170M4958	170M4928	500	63,000			375,000	85		
170M4959	170M4929	550	84,500			500,000	90		
170M4960	170M4930	630	125,000			755,000	98		
170M5952	170M5922	2	1000Vac (IEC/UL)			250	6750	40,000	65
170M5953	170M5923					315	13,500	81,500	75
170M5954	170M5924					350	16,500	99,000	80
170M5955	170M5925			400	26,000	155,000	85		
170M5956	170M5926			450	35,500	210,000	90		
170M5957	170M5927			500	49,500	295,000	95		
170M5958	170M5928			550	66,000	390,000	100		
170M5959	170M5929			630	93,500	555,000	110		
170M5960	170M5930			700	130,000	770,000	115		
170M5961	170M5931			800	195,000	1,200,000	125		
170M8600	170M8500			3	1000Vac (IEC/UL)	315	9200	54,500	90
170M8601	170M8501					350	13,000	77,500	95
170M8602	170M8502					400	19,000	115,000	105
170M8603	170M8503	450	27,000			160,000	107		
170M8604	170M8504	500	37,500			225,000	110		
170M8605	170M8505	550	52,000			310,000	115		
170M8606	170M8506	630	82,500			490,000	120		
170M8607	170M8507	700	115,000			700,000	125		
170M8608	170M8508	800	170,000			1,050,000	135		
170M8609	170M8509	900	250,000			1,500,000	145		
170M8610	170M8510	1000	340,000			2,050,000	150		
170M8611	170M8511	1100	460,000			2,750,000	155		
170M8612 <sup>1</sup>	170M8512 <sup>1</sup>	1000Vac (IEC)	1250			575,000	3,400,000	175	
170M8613 <sup>1</sup>	170M8513 <sup>1</sup>	900Vac (IEC)	1400	795,000	4,200,000	185			

<sup>1</sup> Overall length is 90mm, for all other fuse links the overall length is 75mm.

## Square Body Fuse Links

Size 1\* to 3, Flush End Contact, 170M Series  
1250Vac (IEC), 1300Vac (UL), 50 to 1400A

### Specifications

#### Description

Square body flush end contact high speed fuse links, for the protection of DC common bus, DC drives, power converters/rectifiers and reduced voltage starters.

#### Technical Data

Rated Voltage: 1250Vac (IEC), 1300Vac (UL)

Rated Current: 50-1400A

Breaking Capacity: 100kA RMS Sym.

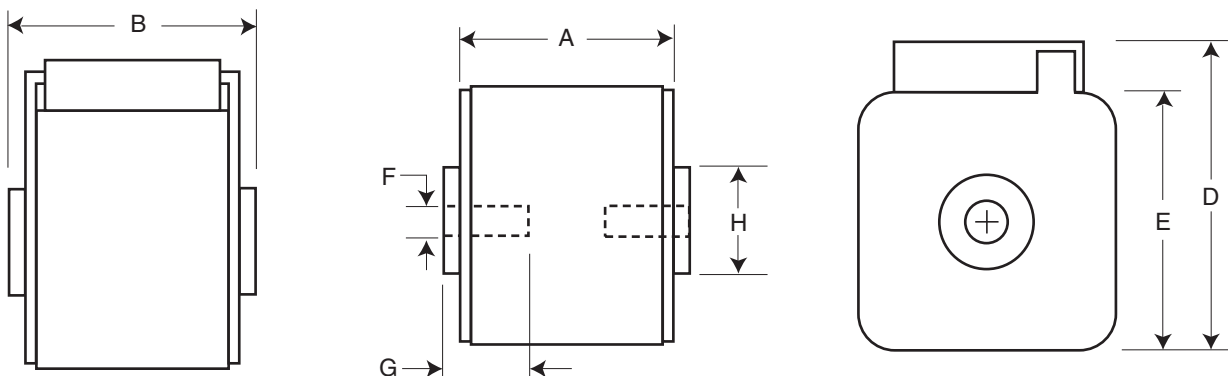


Operating Class: aR

#### Standards/Agency Information

CE, Designed and tested to IEC 60269 Part 4. Consult Cooper Bussmann for UL Recognition/CSA Component Acceptance Status.

#### Dimensions - mm



#### Type -BKN/- and -GKN/-

Size	Type	A	B	D	E	F	F <sup>1</sup> (in)	Min G	H
1*	BKN + GKN/75	74	75	59	45	M8	<sup>5</sup> / <sub>16</sub> " -18 UNC-2B	5	Ø17
1*	BKN/80	80	81	59	45	M8		5	Ø17
1	BKN + GKN/75	74	75	69	53	M8	<sup>5</sup> / <sub>16</sub> " -18 UNC-2B	8	Ø20
1	BKN/80	80	81	69	53	M8		8	Ø20
2	BKN + GKN/75	74	75	77	61	M10	<sup>3</sup> / <sub>8</sub> " -16 UNC-2B	10	Ø24
2	BKN/80	80	81	77	61	M10		10	Ø24
2	BKN + GKN/90	80	91	77	61	M10	<sup>3</sup> / <sub>8</sub> " -16 UNC-2B	10	Ø24
3	BKN + GKN/75	74	76	92	76	M12	<sup>1</sup> / <sub>2</sub> " -13 UNC-2B	10	Ø30
3	BKN/80	81	83	92	76	M12		10	Ø30
3	BKN + GKN/90	81	91	92	76	M12	<sup>1</sup> / <sub>2</sub> " -13 UNC-2B	10	Ø30

<sup>1</sup> Valid for fuses type -GKN/-.

## Square Body Fuse Links

Size 1\* to 3, Flush End Contact, 170M Series  
1250Vac (IEC), 1300Vac (UL), 50 to 1400A

### Catalogue Numbers

-BKN/75 Type KI Indicator for Micro	-BKN/80 Type K Indicator for Micro	-BKN/90 Type K Indicator for Micro	-GKN/75 Type K Indicator for Micro	-GKN/90 Type K Indicator for Micro	Fuse Link Size	Rated Voltage	Rated Current (Amps)	I <sup>2</sup> t (A <sup>2</sup> Sec)			Watts Loss (W)			
								Pre- Arcing	Clearing at 1000Vac	Clearing at 1250Vac				
170M3388	170M3438		170M3488		1*		50	135	815	1100	15			
170M3389	170M3439		170M3489				63	215	1300	1750	20			
170M3390	170M3440		170M3490				80	420	2500	3350	25			
170M3391	170M3441		170M3491				100	750	4450	5950	30			
170M3392	170M3442		170M3492				125	1450	9000	11,500	35			
170M3393	170M3443		170M3493				160	2600	16,000	21,000	40			
170M3394	170M3444		170M3494				200	5150	31,000	41,000	45			
170M3395	170M3445		170M3495				250	9200	54,500	73,000	55			
170M3396	170M3446		170M3496				315	18,500	115,000	150,000	60			
170M3397	170M3447		170M3497				350	27,000	165,000	220,000	65			
	170M3448						400	53,000	265,000	335,000	70			
170M4388	170M4438		170M4488				1		160	1900	11,500	15,500	45	
170M4389	170M4439		170M4489						200	3800	22,500	30,000	50	
170M4390	170M4440		170M4490						250	7750	46,000	61,500	60	
170M4391	170M4441		170M4491						315	15,000	90,000	120,000	65	
170M4392	170M4442		170M4492						350	20,000	125,000	165,000	70	
170M4393	170M4443		170M4493						400	29,500	175,000	235,000	75	
170M4394	170M4444		170M4494						450	42,000	250,000	335,000	80	
170M4395 <sup>4</sup>	170M4445		170M4495 <sup>4</sup>		500	69,500			340,000	435,000	85			
170M4396 <sup>5</sup>	170M4446		170M4496 <sup>5</sup>		550	95,000			465,000	590,000	95			
170M4397 <sup>5</sup>	170M4447 <sup>4</sup>		170M4497 <sup>5</sup>		630	130,000			660,000	N/A	110			
170M5388	170M5438		170M5588		2	1250Vac (IEC)			250	6500	38,500	51,500	65	
170M5389	170M5439		170M5589						280	9350	55,500	74,500	70	
170M5390	170M5440		170M5590						315	13,000	77,500	105,000	75	
170M5391	170M5441		170M5591						350	16,500	97,500	135,000	80	
170M5392	170M5442		170M5592						400	23,000	140,000	180,000	85	
170M5393	170M5443		170M5593						450	34,000	205,000	270,000	90	
170M5394	170M5444	170M5494	170M5594	170M5644		2			1300Vac (UL)	500	48,000	285,000	380,000	95
170M5395	170M5445	170M5495	170M5595	170M5645						550	62,000	370,000	495,000	100
170M5396 <sup>4</sup>	170M5446	170M5496	170M5596 <sup>4</sup>	170M5646			630	115,000		575,000	730,000	120		
170M5397 <sup>5</sup>	170M5447 <sup>1</sup>	170M5497	170M5597 <sup>5</sup>	170M5647			700	160,000		795,000	1,050,000	125		
170M5398 <sup>5</sup>	170M5448 <sup>2</sup>	170M5498	170M5598 <sup>5</sup>	170M5648			800	245,000		1,200,000	1,550,000	130		
		170M5499 <sup>3</sup>		170M5649 <sup>3</sup>			900	360,000		1,750,000	N/A	135		
		170M5500 <sup>3</sup>		170M5650 <sup>3</sup>		1000	480,000	2,350,000	N/A	145				
170M6338	170M6538		170M6588			3		315	9500	58,000	77,500	85		
170M6339	170M6539		170M6589					350	13,500	81,500	110,000	90		
170M6340	170M6540		170M6590					400	19,500	120,000	160,000	95		
170M6341	170M6541		170M6591					450	31,000	185,000	245,000	100		
170M6342	170M6542		170M6592					500	39,000	235,000	310,000	105		
170M6343	170M6543		170M6593		550			55,000	325,000	435,000	110			
170M6344	170M6544	170M6494	170M6594	170M6644	630			83,500	495,000	665,000	115			
170M6345	170M6545	170M6495	170M6595	170M6645	700			115,000	705,000	940,000	120			
170M6346 <sup>4</sup>	170M6546	170M6496	170M6596 <sup>4</sup>	170M6646	800			205,000	995,000	1,300,000	125			
170M6347 <sup>5</sup>	170M6547 <sup>1</sup>	170M6497	170M6597 <sup>5</sup>	170M6647	900			305,000	1,500,000	1,900,000	130			
170M6348 <sup>5</sup>	170M6548 <sup>1</sup>	170M6498	170M6598 <sup>5</sup>	170M6648	1000			450,000	2,150,000	2,750,000	135			
170M6349 <sup>5</sup>	170M6549 <sup>2</sup>	170M6499	170M6599 <sup>5</sup>	170M6649	1100			575,000	2,800,000	3,600,000	160			
		170M6500 <sup>3</sup>		170M6650 <sup>4</sup>	1250			810,000	3,950,000	N/A	170			
		170M6501 <sup>3</sup>		170M6651 <sup>4</sup>	1400			1,250,000	6,000,000	N/A	175			

<sup>1</sup> Rated Voltage 1100Vac (IEC), 1000Vac (UL)

<sup>2</sup> Rated Voltage 1000Vac (IEC and UL)

<sup>3</sup> Rated Voltage 1100Vac (IEC and UL)

<sup>4</sup> Rated Voltage (IEC) 1100Vac

<sup>5</sup> Rated Voltage (IEC) 1000Vac

Data Sheets: 170K6630 (Size 1\*), 170K6632 (Size 1), 170K6634 (Size 2), 170K6636 (Size 3)

## Square Body Fuse Links

Size 4, Flush End Contact, 170M Series  
690Vac (IEC), 700Vac (UL), 1000 to 4000A

### Specifications

#### Description

Square body, flush end contact, high speed fuse links, for the protection of power rectifiers.

#### Technical Data

Rated Voltage: 690Vac (IEC)/700Vac (UL) 1000-3500A  
600Vac (IEC and UL, 4000A)  
Rated Current: 1000-4000A  
Breaking Capacity: 200kA RMS Sym.

Operating Class: aR

#### Standards/Agency Information

CE, Designed and tested to IEC 60269 Part 4, UL Recognised (1000-4000A).



#### Catalogue Numbers

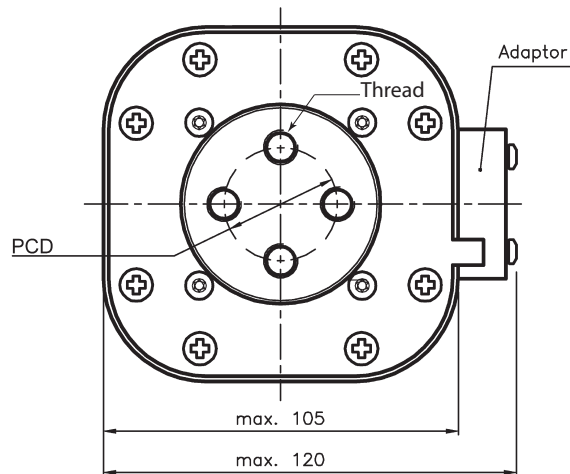
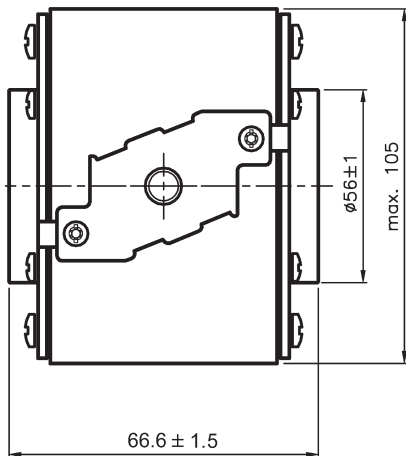
-B/65 Visual Indicator	-BKN/65 Type K Indicator	-G/65 Visual Indicator	-GKN/65 Type K Indicator	Fuse Link Size	Rated Voltage	Rated Current (Amps)	I <sup>2</sup> t (A <sup>2</sup> Sec)		Watts Loss (W)
							Pre- Arcing	Clearing at 660Vac	
170M7058	170M7078	170M7098	170M7118	4	690Vac (IEC)	1000	76,000	505,000	175
170M7059	170M7079	170M7099	170M7119			1250	145,000	965,000	195
170M7060	170M7080	170M7100	170M7120			1400	205,000	1,400,000	205
170M7061	170M7081	170M7101	170M7121			1600	305,000	2,050,000	220
170M7062	170M7082	170M7102	170M7122			2000	600,000	3,950,000	245
170M7063	170M7083	170M7103	170M7123			2500	1,200,000	7,800,000	275
170M7064	170M7084	170M7104	170M7124			3000	2,000,000	13,500,000	305
170M7065	170M7085	170M7105	170M7125			3500	3,250,000	22,000,000	325
170M7066	170M7086	170M7106	170M7126		600Vac (IEC & UL)	4000	4,700,000	28,000,000	355

# Square Body Fuse Links

Size 4, Flush End Contact, 170M Series  
690Vac (IEC), 700Vac (UL), 1000 to 4000A

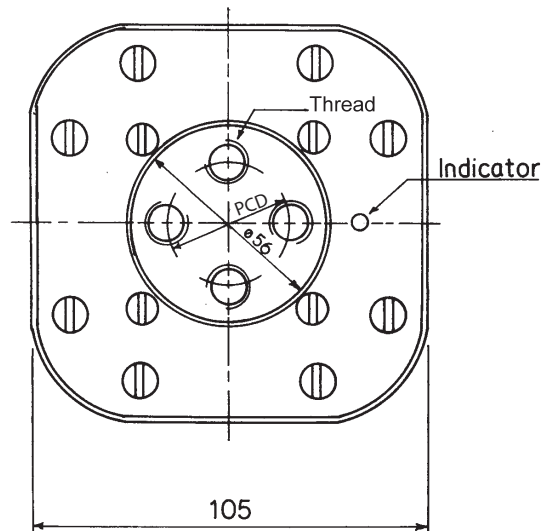
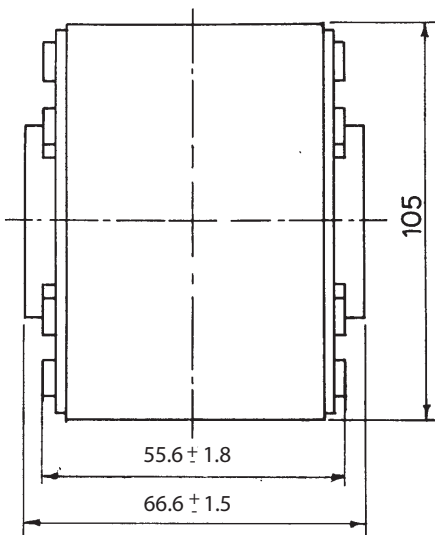
Dimensions - mm

Type -BKN/65, -GKN/65



Type	PCD	Thread
-GKN/65	Ø 38.1	UNC 1/2" - 13
-BKN/65	Ø 33	M-10

Type -B/65, -G/65



Type	PCD	Thread
-G/65	Ø 38.1	UNC 1/2" - 13
-B/65	Ø 33	M-10

## Square Body Fuse Links

Size 4, Flush End Contact, 170M Series  
1000Vac (IEC), 1000 to 3000A

### Specifications

#### Description

Square body, flush end contact, high speed fuse links, for the protection of power rectifiers.

#### Technical Data

Rated Voltage: 1000Vac (IEC)  
Rated Current: 1000-3000A  
Breaking Capacity: 200kA RMS Sym.

Operating Class: aR

#### Standards/Agency Information

CE, Designed and tested to IEC 60269 Part 4.

#### Catalogue Numbers



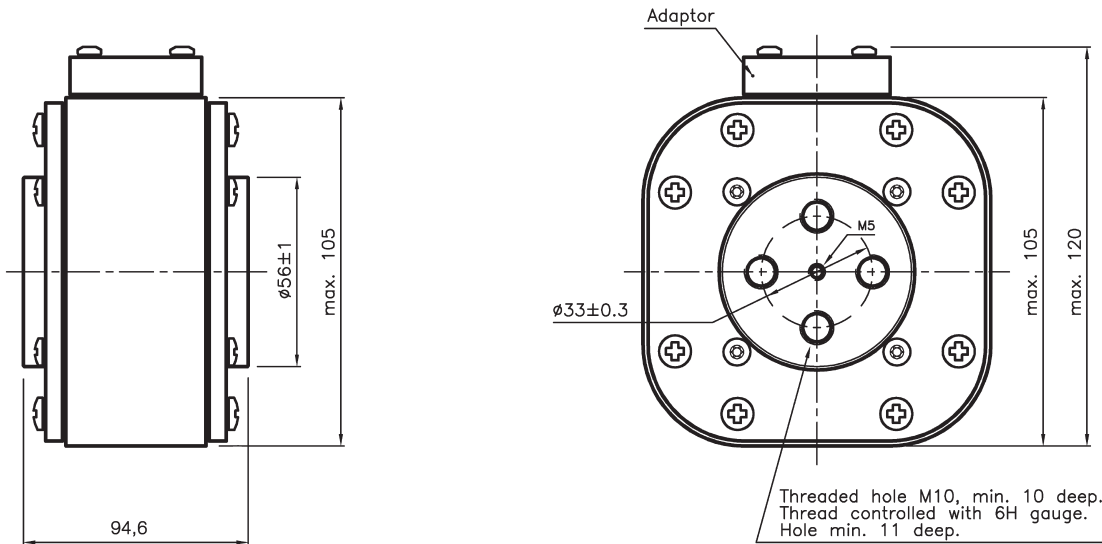
-BKN/95 Type K Indicator	-SBKN/90 Type K Indicator	Fuse Link Size	Rated Voltage	Rated Current (Amps)	I <sup>2</sup> t (A <sup>2</sup> Sec)		Watts Loss (W)
					Pre- Arcing	Clearing at 1000Vac	
	170M7542	4	1000Vac	1000	180,000	1,100,000	195
	170M7031			1100	250,000	1,500,000	200
170M7636	170M7548			1500	600,000	3,600,000	250
170M7639	170M7034			1700	850,000	5,000,000	260
170M7661	170M7053			1800	1,000,000	5,950,000	265
170M7963	170M7544			2000	1,450,000	8,600,000	270
170M7090	170M7035			2200	2,000,000	12,000,000	280
170M7640	170M7036			2500	3,000,000	18,000,000	295
170M7658	170M7037			2700	3,700,000	22,000,000	310
170M7962	170M7156			3000	4,700,000	28,000,000	380

# Square Body Fuse Links

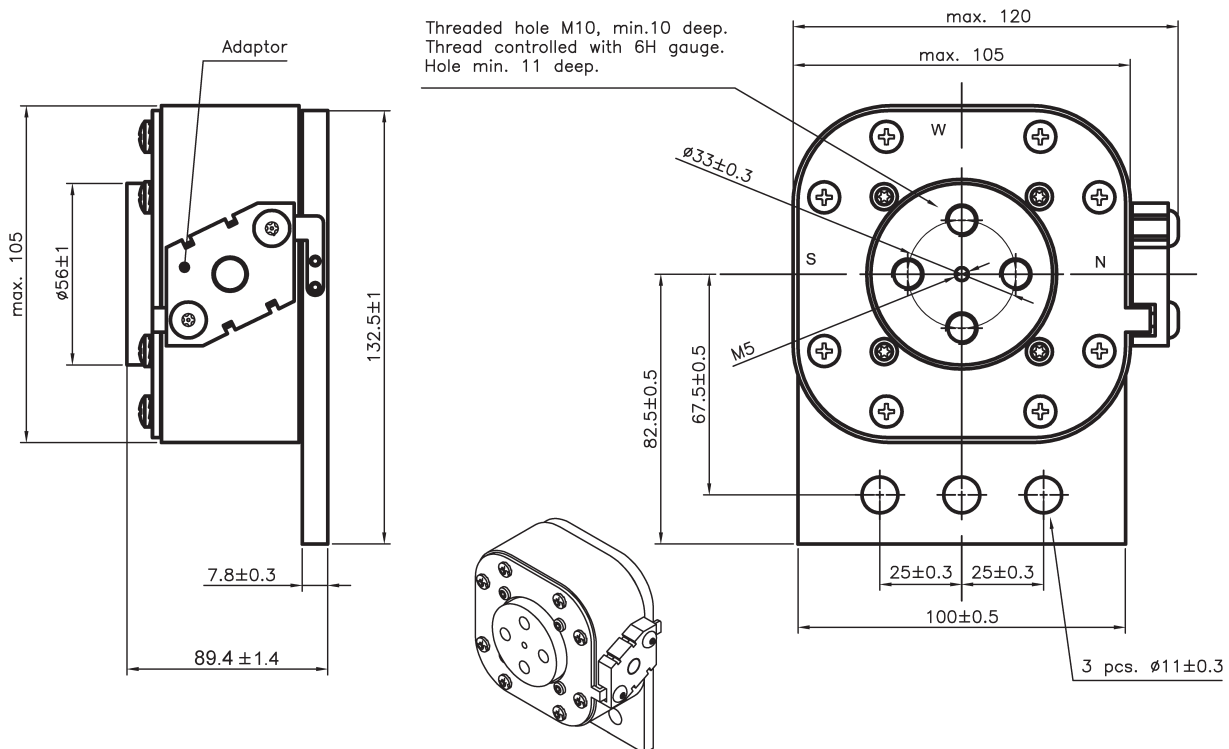
Size 4, Flush End Contact, 170M Series  
1000Vac (IEC), 1000 to 3000A

Dimensions - mm

Type 4BKN/95



Type 4SBKN/90



## Square Body Fuse Links

Size 4, Flush End Contact, 170M Series  
1250Vac (IEC), 1400 to 2500A

### Specifications

#### Description

Square body, flush end contact, high speed fuse links, for the protection of power rectifiers.

#### Technical Data

Rated Voltage: 1250Vac (IEC)  
Rated Current: 1400-2500A  
Breaking Capacity: 200kA RMS Sym.

Operating Class: aR

#### Standards/Agency Information

CE, Designed and tested to IEC 60269 Part 4.

#### Catalogue Numbers



-BKN/105 Type K Indicator	-SBKN/105 Type K Indicator	Fuse Link Size	Rated Voltage	Rated Current (Amps)	I <sup>2</sup> t (A <sup>2</sup> Sec)		Watts Loss (W)
					Pre- Arcing	Clearing at 1250Vac	
170M7217	170M7512	4	1250Vac (IEC)	1400	800,000	5,000,000	195
170M7597	170M7510			1500	1,000,000	6,200,000	200
170M7676	170M7511			1700	1,400,000	8,700,000	220
170M7532	170M7976			1800	1,700,000	11,000,000	225
170M7633	170M7513			2000	2,300,000	14,500,000	235
170M7592	170M7546			2200	3,100,000	19,500,000	245
170M7107	170M7516			2400	4,000,000	25,000,000	255
170M7595	170M7978			2500	4,500,000	28,000,000	260

Data Sheets: 170K6640 (up to 2400A), 170K6642 (2500A)



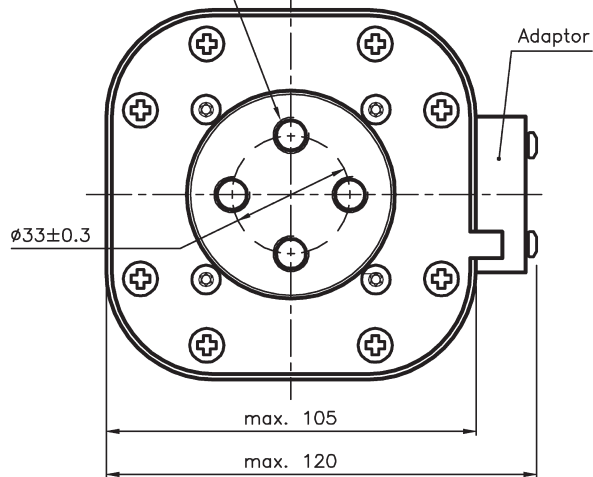
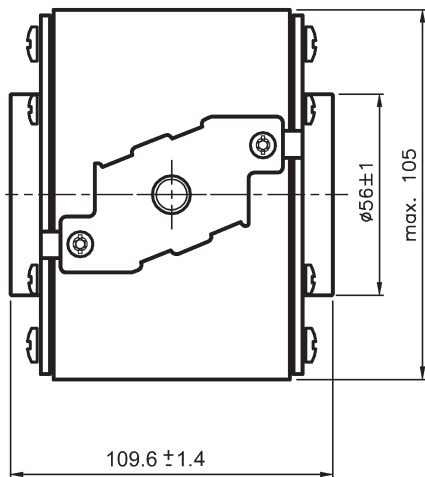
# Square Body Fuse Links

Size 4, Flush End Contact, 170M Series  
1250Vac (IEC), 1400 to 2500A

Dimensions - mm

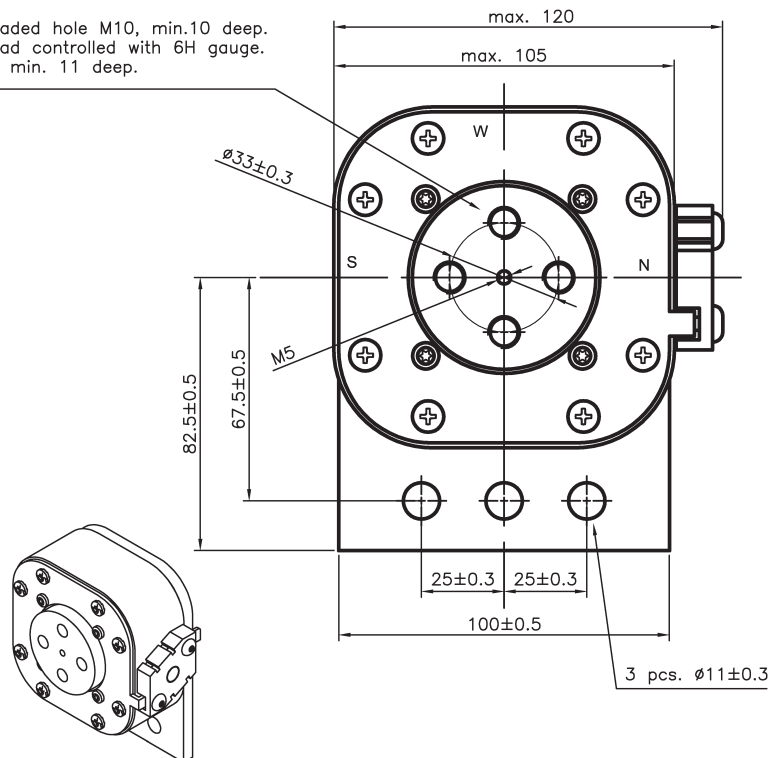
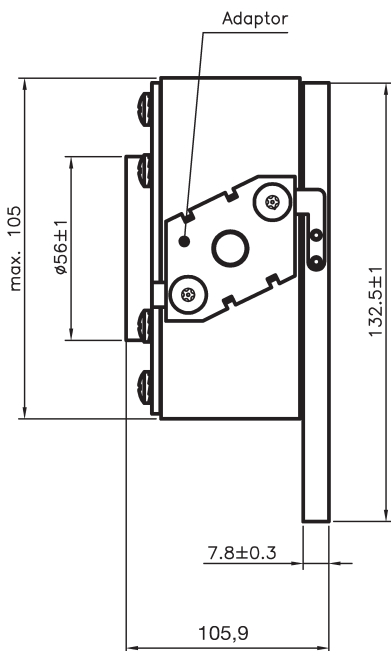
Type 4BKN/105

Thread controlled with 6H gauge.  
Hole min. 11 deep.



Type 4SBKN/105

Threaded hole M10, min.10 deep.  
Thread controlled with 6H gauge.  
Hole min. 11 deep.



Data Sheets: 170K6640 (up to 2400A), 170K6642 (2500A)

## Square Body Fuse Links

Size 23, Flush End Contact, 170M Series  
660Vac (IEC), 1000 to 4000A

### Specifications

#### Description

Square body, flush end contact, high speed fuse links, for the protection of power rectifiers.

#### Technical Data

Rated Voltage: 660Vac (IEC, 1000-3000A)  
600Vac (IEC, 3500A)  
550Vac (IEC, 4000A)  
Rated Current: 1000-4000A  
Breaking Capacity: 100kA RMS Sym.

Operating Class: aR

#### Standards/Agency Information

CE, Designed and tested to IEC 60269 Part 4.

#### Catalogue Numbers

-BU/55 Visual Indicator	-BKE/55 Type K Indicator	-BKN/55 Type K Indicator	-GU/55 Visual Indicator	-GKE/55 Type K Indicator	-GKN/55 Type K Indicator	Fuse Link Size	Rated Voltage	Rated Current (Amps)	I <sup>2</sup> t (A <sup>2</sup> Sec)		Watts Loss (W)	
									Pre- Arcing	Clearing at 660Vac		
170M6858	170M6898	170M6878	170M6918	170M6958	170M6938	23	660Vac (IEC)	1000	79,000	530,000	170	
170M6859	170M6899	170M6879	170M6919	170M6959	170M6939			1100	95,000	635,000	185	
170M6860	170M6900	170M6880	170M6920	170M6960	170M6940			1250	155,000	1,050,000	190	
170M6861	170M6901	170M6881	170M6921	170M6961	170M6941			1400	200,000	1,350,000	210	
170M6862	170M6902	170M6882	170M6922	170M6962	170M6942			1500	240,000	1,650,000	215	
170M6863	170M6903	170M6883	170M6923	170M6963	170M6943			1600	315,000	2,150,000	220	
170M6864	170M6904	170M6884	170M6924	170M6964	170M6944			1800	450,000	3,050,000	230	
170M6865	170M6905	170M6885	170M6925	170M6965	170M6945			2000	625,000	4,200,000	240	
170M6866	170M6906	170M6886	170M6926	170M6966	170M6946			2200	805,000	5,400,000	255	
170M6867	170M6907	170M6887	170M6927	170M6967	170M6947			2500	1,250,000	8,350,000	265	
170M6868	170M6908	170M6888	170M6928	170M6968	170M6948			3000	2,250,000	15,500,000	285	
170M6869	170M6909	170M6889	170M6929	170M6969	170M6949			600Vac (IEC)	3500	3,450,000	21,000,000	315
170M6870	170M6910	170M6890	170M6930	170M6970	170M6950			550Vac (IEC)	4000	5,000,000	27,500,000	340

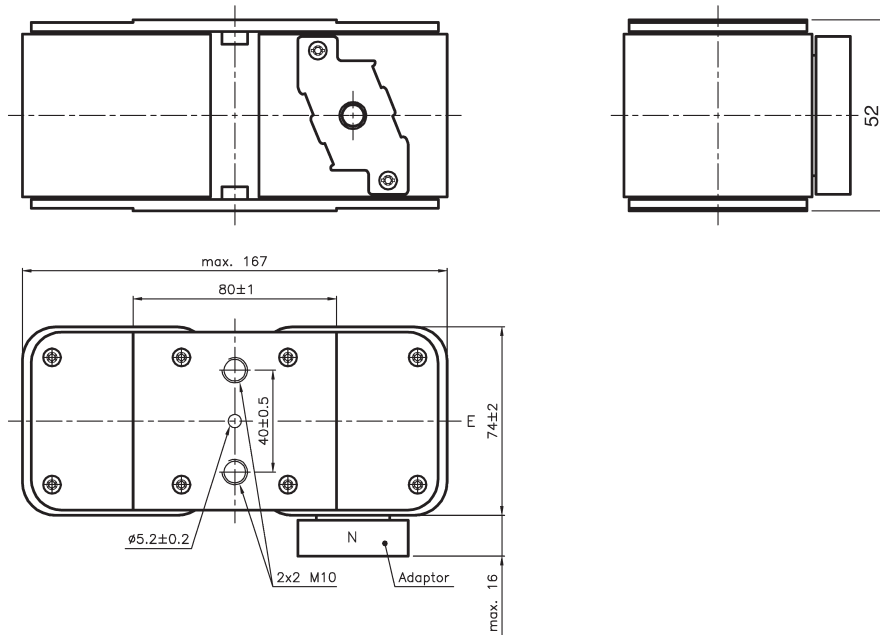
When using these fuse links, please consult Bussmann for application assistance at [bulehighspeedtechnical@eaton.com](mailto:bulehighspeedtechnical@eaton.com).

## Square Body Fuse Links

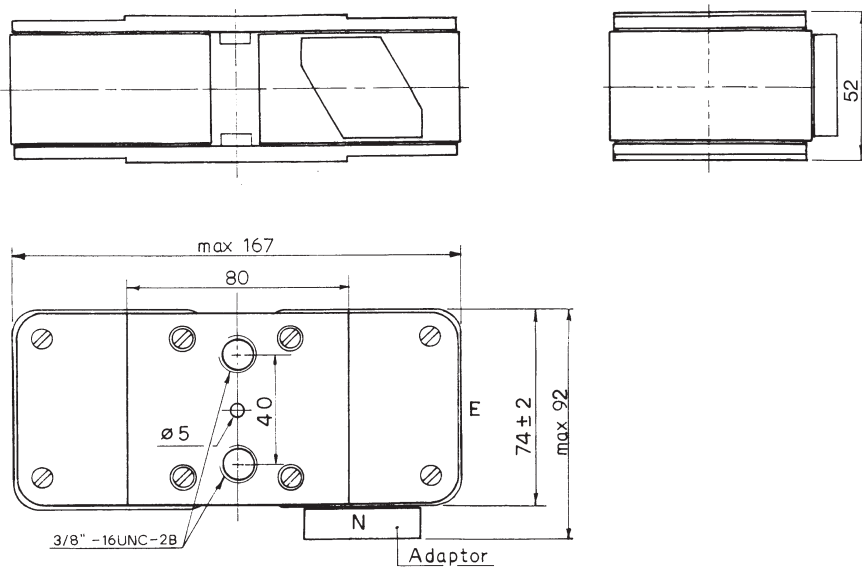
Size 23, Flush End Contact, 170M Series  
690Vac (IEC), 1000 to 4000A

Dimensions - mm

Type -BU/55, -BKE/55, -BKN/55



Type -GU/55, -GKE/55, -GKN/55



When using these fuse links, please consult Bussmann for application assistance at [bulehighspeedtechnical@eaton](mailto:bulehighspeedtechnical@eaton).

## Square Body Fuse Links

Size 23, Flush End Contact, 170M Series  
1250Vac (IEC), 630 to 2800A

### Specifications

#### Description

Square body, flush end contact, high speed fuse links, for the protection of power rectifiers.

#### Technical Data

Rated Voltage: 1250Vac (IEC 630 to 2200A)  
1100Vac (IEC 2500 and 2800A)  
Rated Current: 630-2800A  
Breaking Capacity: 125kA RMS Sym.

Operating Class: aR

#### Standards/Agency Information

CE, Designed and tested to IEC 60269 Part 4.

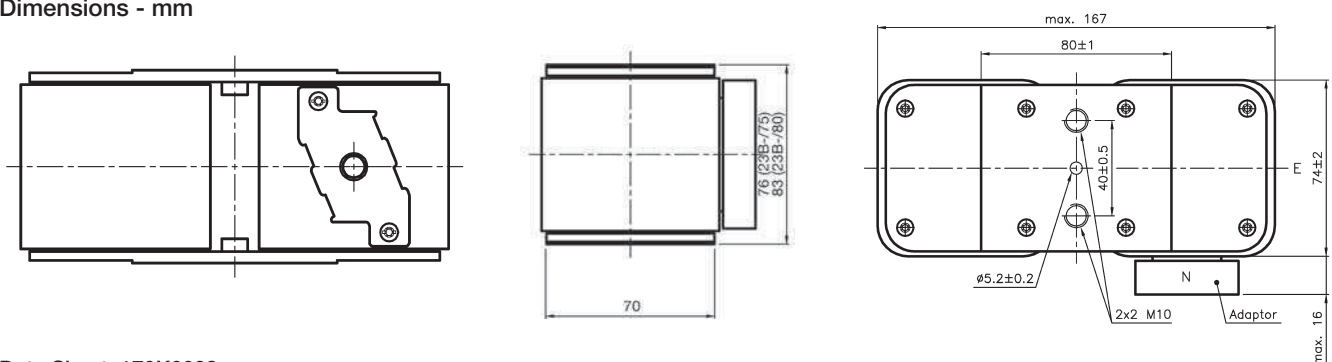
#### Catalogue Numbers

-BU/75 Visual Indicator	-BKE/75 Type K Indicator	-BKN/75 Type K Indicator	-BU/80 Visual Indicator	-BKE/80 Type K Indicator	-BKN/80 Type K Indicator	Fuse Link Size	Rated Voltage	Rated Current (Amps)	I <sup>2</sup> t (A <sup>2</sup> Sec)		Watts Loss (W)
									Pre- Arcing	Clearing at 1250Vac	
170M6775	170M6795	170M6785				23	1250Vac (IEC)	630	38,000	310,000	170
170M6776	170M6796	170M6786						700	54,000	440,000	180
170M6777	170M6797	170M6787						800	78,000	640,000	190
170M6805	170M6807	170M6806						900	120,000	980,000	200
170M6778	170M6798	170M6788						1000	155,000	1,250,000	210
170M6779	170M6799	170M6789						1100	220,000	1,750,000	220
170M6780	170M6800	170M6790						1250	330,000	2,700,000	230
170M6781	170M6801	170M6791						1400	460,000	3,800,000	240
170M6782	170M6802	170M6792						1600	820,000	5,200,000	250
170M6783	170M6803	170M6793						1800	1,200,000	7,600,000	260
								2000	1,800,000	11,000,000	270
								2200	2,300,000	14,500,000	280
								1100Vac (IEC)	2500	3,200,000	16,000,000 <sup>1</sup>
			2800	5,000,000	24,000,000 <sup>1</sup>	300					

<sup>1</sup> Clearing at 1000V

When using these fuse links, please consult Bussmann for application assistance at [bulehighspeedtechnical@eaton.com](mailto:bulehighspeedtechnical@eaton.com).

### Dimensions - mm



Data Sheet: 170K6638

## Square Body Fuse Links

Size 24, Flush End Contact, 170M Series  
690Vac (IEC), 2000 to 7500A

### Specifications

#### Description

Square body, flush end contact high speed fuse links, for the protection of power rectifiers.

#### Technical Data

Rated Voltage: 690Vac (IEC 2000 to 7000A)  
500Vac (IEC 7500A)  
Rated Current: 2000-7500A  
Breaking Capacity: 200kA RMS Sym.

Operating Class: aR

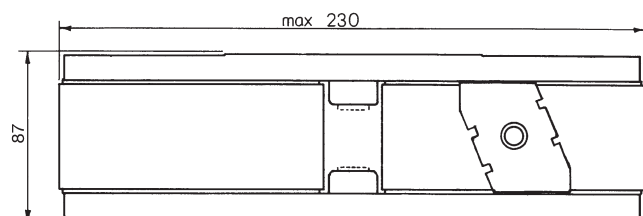
#### Standards/Agency Information

CE, Designed and tested to IEC 60269 Part 4.

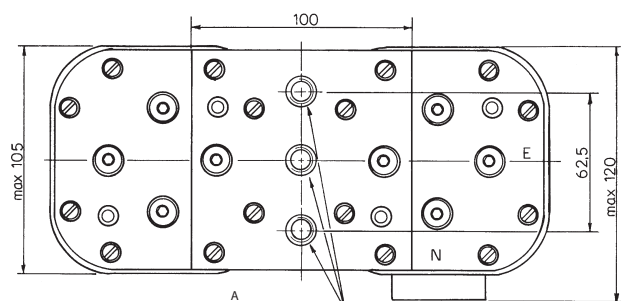
#### Catalogue Numbers

-BU/60 Without Indicator	-BKN/60 Type K Indicator	-GU/60 Without Indicator	-GKN/60 Type K Indicator	Fuse Link Size	Rated Voltage	Rated Current (Amps)	I <sup>2</sup> t (A <sup>2</sup> Sec)		Watts Loss (W)	
							Pre- Arcing	Clearing at Rated Voltage		
170M7138	170M7158	170M7198	170M7218	24	690Vac (IEC)	2000	340,000	2,300,000	340	
170M7139	170M7159	170M7199	170M7219			2500	650,000	4,350,000	390	
170M7140	170M7160	170M7200	170M7220			3000	1,100,000	7,300,000	430	
170M7141	170M7161	170M7201	170M7221			3500	1,800,000	12,000,000	460	
170M7142	170M7162	170M7202	170M7222			4000	2,700,000	18,000,000	490	
170M7143	170M7163	170M7203	170M7223			4500	3,800,000	25,500,000	520	
170M7144	170M7164	170M7204	170M7224			5000	5,450,000	36,500,000	540	
170M7145	170M7165	170M7205	170M7225			5500	7,400,000	49,500,000	560	
170M7146	170M7166	170M7206	170M7226			6000	9,600,000	64,000,000	580	
170M7147	170M7167	170M7207	170M7227			6500	12,500,000	83,000,000	600	
170M7148	170M7168	170M7208	170M7228			7000	15,000,000	100,000,000	630	
170M7149	170M7169	170M7209	170M7229			500Vac (IEC)	7500	18,500,000	93,000,000	660

#### Dimensions - mm



Size	Type	A
24	BKN	2x3 M12
24	GKN	2x3 1/2" -16 UNC-2B



When using these fuse links, please consult Bussmann for application assistance at [highspeedtechnical@eaton.com](mailto:highspeedtechnical@eaton.com).

## Square Body Fuse Links

Size 24, Flush End Contact, 170M Series  
1000Vac (IEC), 2000 to 5000A

### Specifications

#### Description

Square body flush end contact high speed fuse links, for the protection of power rectifiers.

#### Technical Data

Rated Voltage: 1000Vac (IEC)  
Rated Current: 2000-5000A  
Breaking Capacity: 300kA RMS Sym.

Operating Class: aR

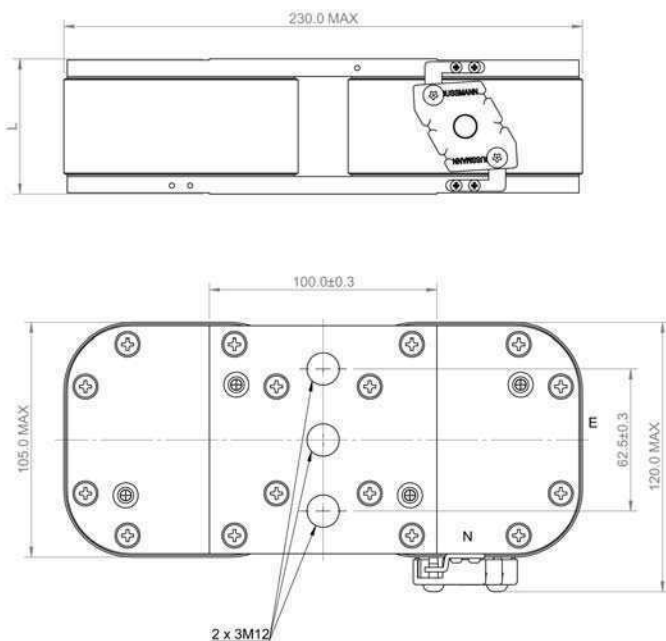
#### Standards/Agency Information

CE, Designed and tested to IEC 60269 Part 4.

#### Catalogue Numbers

-BKN/85 Type K Indicator	Fuse Link Size	Rated Voltage	Rated Current (Amps)	I <sup>2</sup> t (A <sup>2</sup> Sec)		Watts Loss (W)
				Pre- Arcing	Clearing at 1000Vac	
170M7608	24	1000Vac (IEC)	2000	885,000	5,700,000	345
170M7680			3000	2,900,000	19,000,000	430
170M7567			3200	3,300,000	20,000,000	440
170M7568			3500	4,500,000	27,000,000	450
170M7569			4000	6,800,000	40,000,000	475
170M7498			4200	8,000,000	47,500,000	485
170M7488			4500	10,000,000	59,000,000	495
170M7622			5000	14,000,000	82,500,000	540

#### Dimensions - mm



The normal position of the indicator is as shown position N, position E on request only

When using these fuse links, please consult Bussmann for application assistance at [highspeedtechnical@eaton.com](mailto:highspeedtechnical@eaton.com).

Data Sheets: 170K7540 up to 3000A, 170K8514 3200-5000A

## Square Body Fuse Links

Size 5, Flush End Contact, 170M Series  
1100-2000Vac (IEC), 1800 to 5500A

### Specifications

#### Description

Square body flush end contact high speed fuse links, for the protection or isolation for components such as diodes, silicon controlled rectifiers (SCRs), Gate Turn-Off Thyristors (GTOs) and IGBTs. Typical application include AC and DC drives, high power rectifiers.

#### Technical Data

Rated Voltage: 1100-2000Vac (IEC)  
Rated Current: 1800-5500A  
Breaking Capacity: 300kA RMS Sym. Estimated: 197kA Tested.

Operating Class: aR

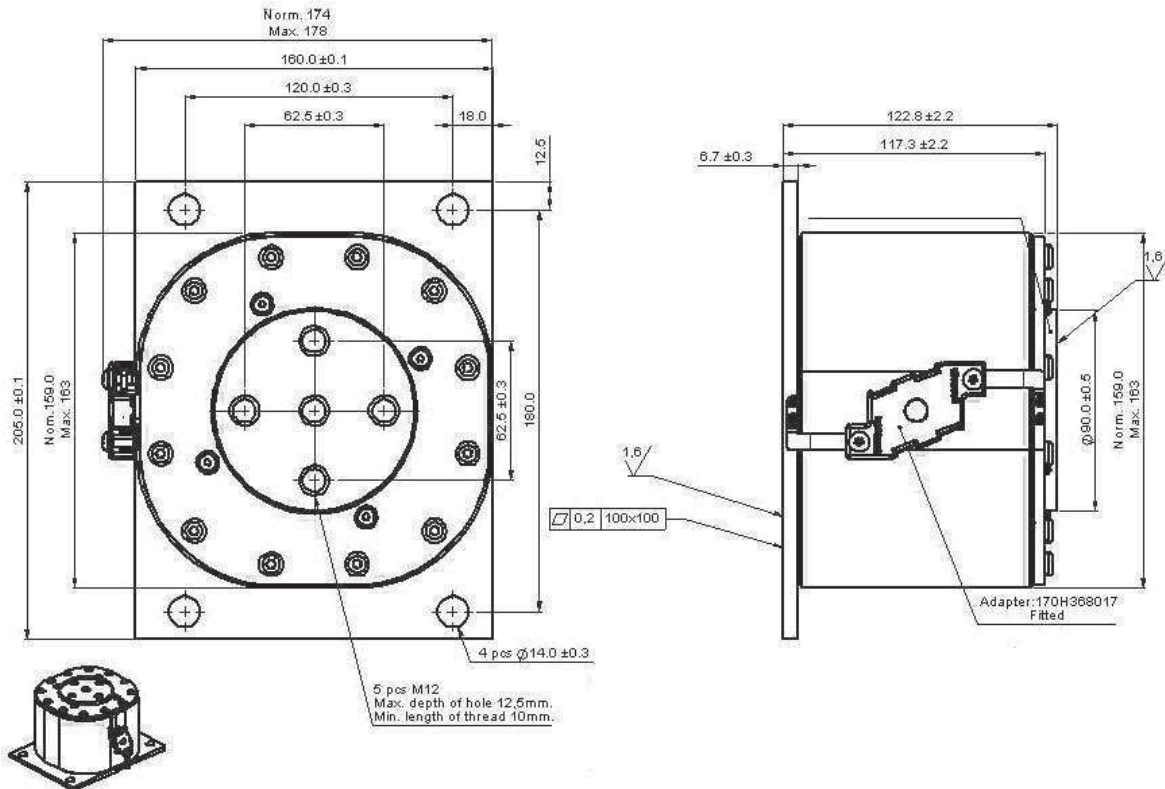
#### Standards/Agency Information

Consult Bussmann [bulehighspeedtechnical@eaton.com](mailto:bulehighspeedtechnical@eaton.com).

#### Catalogue Numbers

Consult Bussmann [bulehighspeedtechnical@eaton.com](mailto:bulehighspeedtechnical@eaton.com).

#### Dimensions - mm



This dimension drawing is an example of the range of size 5 fuse links available.

## Drive Fuse Links

### DFJ Series

600Vac/450Vdc (UL), 1 to 600A

#### Specifications

##### Description

Bolted tags high speed fuse links that provide maximum protection for AC and DC drives and controllers. The DFJ fuse link has the lowest  $I^2t$  of any branch circuit fuse to protect power semi-conductor devices that utilise diodes, GTOs, SCRs and SSRs. The DFJ fuse links combine the performance of high speed fuse links and the convenience of Class J branch circuit fuse links, allowing the use of readily available Class J fuse blocks, holders and switches.

##### Technical Data

Rated Voltage: 600Vac/450Vdc (UL)

Rated Current: 1-600A

Breaking Capacity: 200kA RMS Sym., 100kA DC

Operating Class: aR

##### Standards/Agency Information

UL Listed, Std 248-8, Class J, Guide JDDZ, File E4273 CSA Certified, C22-2 No 248.8, Class 1422-02, File 53787 meets NEC branch circuit protection.

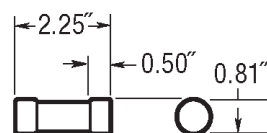


#### Catalogue Numbers

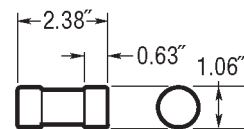
Catalogue Numbers	Rated Voltage	Rated Current (Amps)
DFJ-1	600Vac/ 450Vdc (UL)	1
DFJ-2		2
DFJ-3		3
DFJ-4		4
DFJ-5		5
DFJ-6		6
DFJ-8		8
DFJ-10		10
DFJ-12		12
DFJ-15		15
DFJ-20		20
DFJ-25		25
DFJ-30		30
DFJ-40		40
DFJ-45		45
DFJ-50		50
DFJ-60		60
DFJ-70		70
DFJ-80		80
DFJ-90		90
DFJ-100		100
DFJ-110		110
DFJ-125		125
DFJ-150		150
DFJ-175		175
DFJ-200		200
DFJ-225		225
DFJ-250		250
DFJ-300		300
DFJ-350		350
DFJ-400	400	
DFJ-450	450	
DFJ-500	500	
DFJ-600	600	

#### Dimensions - in

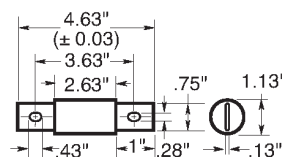
##### 1 to 30A



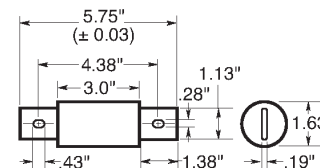
##### 35 to 60A



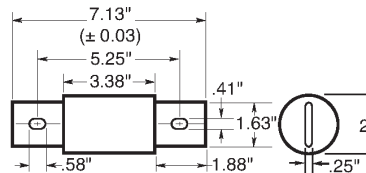
##### 70 to 100A



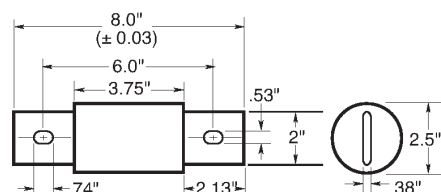
##### 110 to 200A



##### 225 to 400A



##### 450 to 600A





## IGBT Fuse Links

Size 000 and 230, 170M Series  
750Vdc (IEC), 800Vdc (UL), 25 to 630A

### Specifications

#### Description

Bolted tags high speed fuse links for the protection of IGBT modules, optimised for use in IGBT inverter circuits with DC link voltages up to 750Vdc. Low inductance  $\leq 15\text{nH}$ .

#### Technical Data

Rated Voltage: 750Vdc tested at 863Vdc according to IEC 60269-4  
800Vdc tested at 800Vdc according to UL 248-1  
Rated Current: 25-630A  
Breaking Capacity: 50kA DC (1ms tc) at 800Vdc

Operating Class: aR

#### Standards/Agency Information

UL DC Recognised, 800Vdc L/R 1mS min.

#### Catalogue Numbers

-FU/70	-FN/70	Fuse Link Size	Rated Voltage	Rated Current (Amps)	I <sup>2</sup> t (A <sup>2</sup> Sec)	
					Pre-Arcing	Watts Loss (W)
170M1750	170M1730	000	750Vdc (IEC)	25	25	12
170M1751	170M1731			32	45	13
170M1752	170M1732			40	75	14
170M1753	170M1733			50	135	16
170M1754	170M1734			63	260	17
170M1755	170M1735			80	460	20
170M1756	170M1736			100	795	25
170M1757	170M1737			125	1300	29
170M1758	170M1738			160	2550	34
170M1759	170M1739			200	4350	40
170M1760	170M1740			250	7400	48
170M1761	170M1741			315	12,500	60
170M1762	170M1742			350	17,000	65
170M1770	170M1785			230	800Vdc (UL)	100
170M1771	170M1786	125	645			42
170M1772	170M1787	160	1350			47
170M1773	170M1788	200	2550			54
170M1774	170M1789	250	4950			62
170M1775	170M1790	315	9350			72
170M1776	170M1791	350	12,000			78
170M1777	170M1792	400	18,500			80
170M1778	170M1793	450	27,000			85
170M1779	170M1794	500	37,500			90
170M1780	170M1795	550	48,500			95
170M1781	170M1796	630	69,500	105		

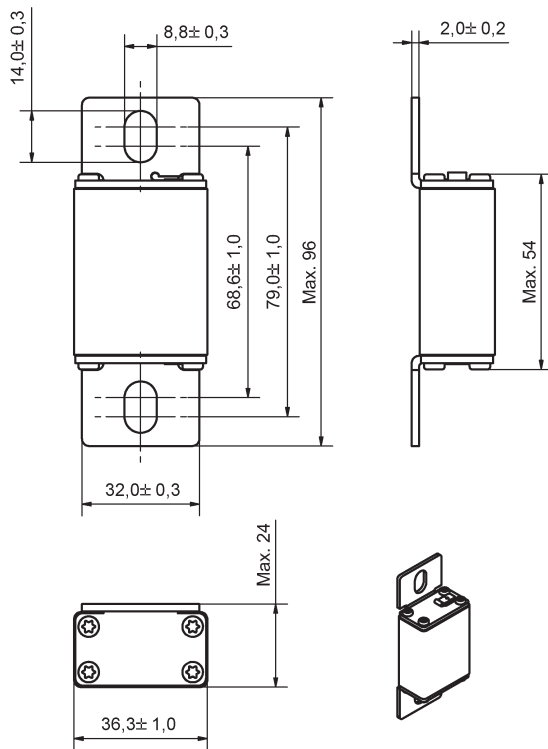


## IGBT Fuse Links

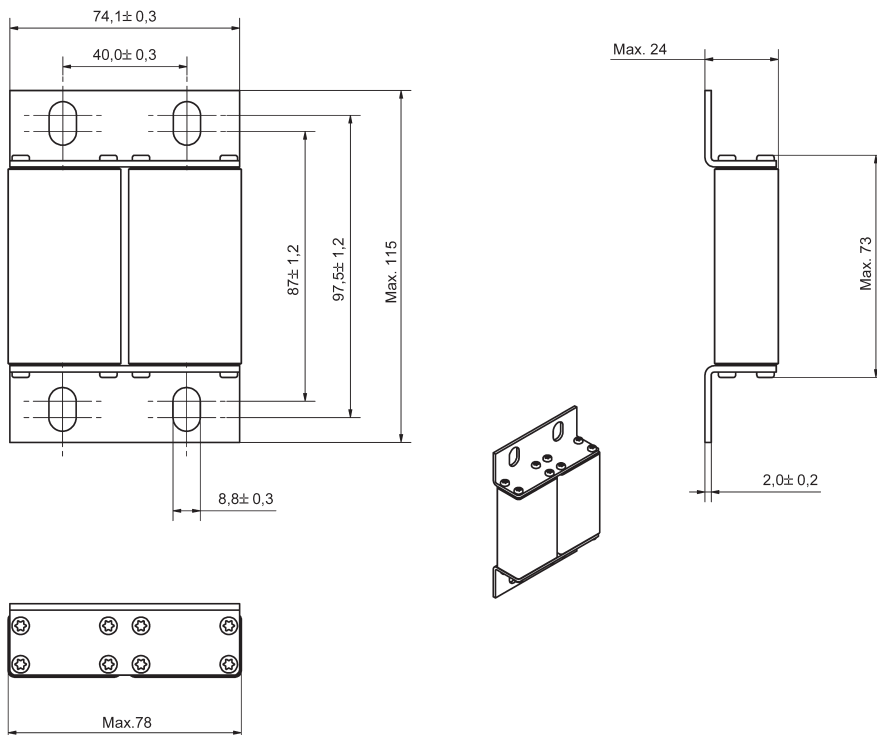
Size 000 and 230, 170M Series  
750Vdc (IEC), 800Vdc (UL), 25 to 630A

### Dimensions - mm

#### Size 000



#### Size 230



Data Sheets: 170K6422 (Size 000), 170K6426 (Size 230)

## IGBT Fuse Links

Size 000 and 230, 170M Series  
1000Vac/Vdc (IEC and UL), 25 to 500A

### Specifications

#### Description

High speed bolted tags high speed fuse links for the protection of IGBT modules, optimised for use in IGBT inverter circuits with DC link voltages up to 1000Vdc. Low inductance  $\leq 20\text{nH}$ .

#### Technical Data

Rated Voltage: 1000Vdc tested at 1150Vdc according to IEC 60269-4  
1000Vdc tested at 1000Vdc according to UL 248-1  
Rated Current: 25-500A  
Breaking Capacity: 50kA DC (1ms tc)

Operating Class: aR

#### Standards/Agency Information

UL DC Recognised, 1000Vdc L/R 1mS min.

#### Catalogue Numbers

-FU/90	-FN/90	Fuse Link Size	Rated Voltage	Rated Current (Amps)	I <sup>2</sup> t (A <sup>2</sup> Sec)		Watts Loss (W)
					Pre-Arcing	Clearing at 1000Vac	
170M1802	170M1842	000	1000 Vac/Vdc (IEC/UL)	25	19	95	14
170M1803	170M1843			32	34	170	17
170M1804	170M1844			40	61	300	20
170M1805	170M1845			50	135	675	21
170M1806	170M1846			63	245	1200	22
170M1807	170M1847			80	505	2500	27
170M1808	170M1848			100	1050	5150	32
170M1809	170M1849			125	1900	9500	34
170M1810	170M1850			160	4050	20,000	37
170M1811	170M1851			200	8500	42,000	43
170M1812	170M1852	225	12,000	59,000	45		
170M1813	170M1853	250	16,000	79,500	48		
170M1824	170M1860	230	1000 Vac/Vdc (IEC/UL)	100	600	3050	38
170M1825	170M1861			125	1200	6050	42
170M1826	170M1862			160	2550	13,000	48
170M1827	170M1863			200	4650	23,000	55
170M1828	170M1864			250	9300	45,500	62
170M1829	170M1865			315	18,500	91,500	68
170M1830	170M1866			350	24,500	125,000	75
170M1831	170M1867			400	37,500	185,000	80
170M1832	170M1868			450	52,000	260,000	85
170M1833	170M1869			500	69,500	340,000	90

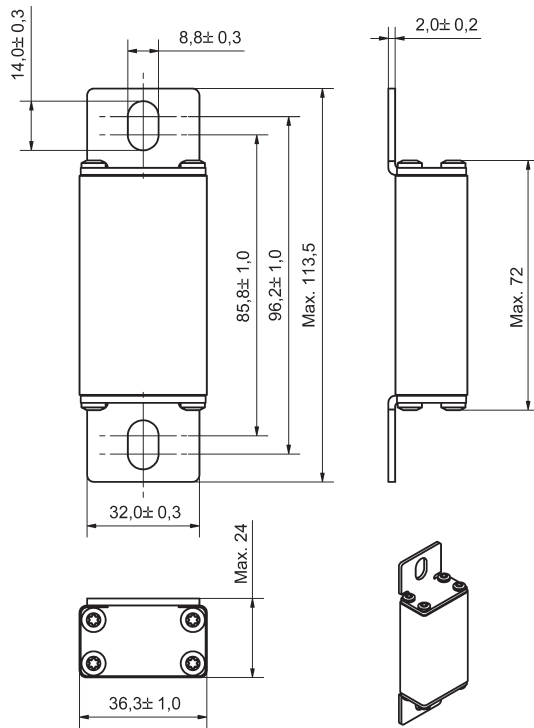
Data Sheets: 170K6680 (Size 000), 170K6682 (Size 230)

## IGBT Fuse Links

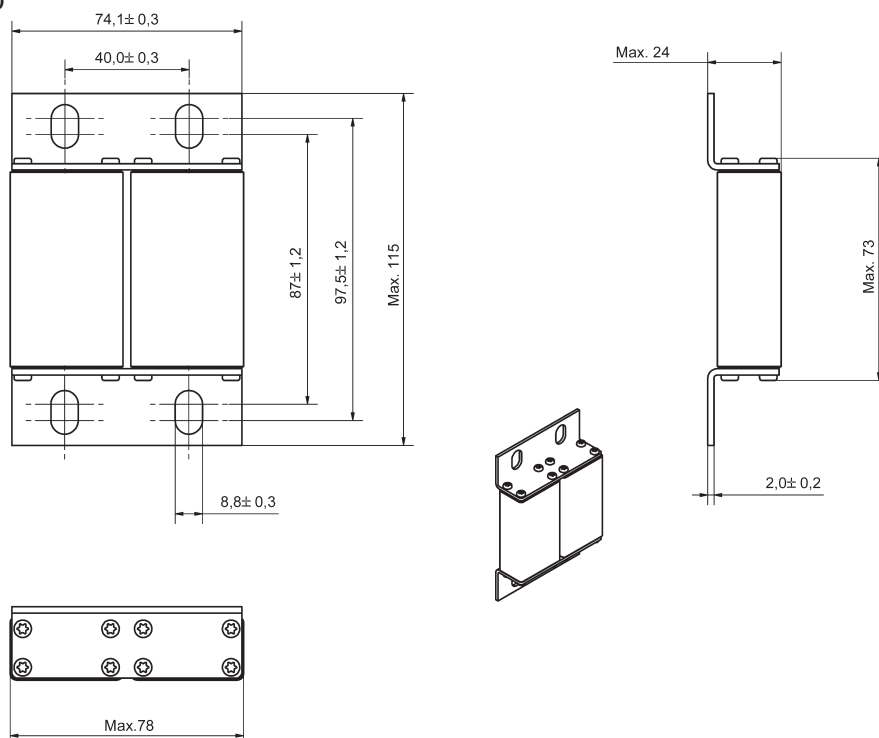
Size 000 and 230, 170M Series  
1000Vac/Vdc (IEC and UL), 25 to 500A

### Dimensions - mm

#### Size 000



#### Size 230



Data Sheets: 170K6680 (Size 000), 170K6682 (Size 230)

## Traction Fuse Links

### Size 1\*, 3 and 23 Square Body Fuse Links 750Vdc (IEC), 50A to 1600A

#### Specifications

##### Description

Traction flush end square body high speed fuse links for superior protection of DC third rail applications up to 750Vdc.

##### Technical Data

Rated Voltage: 750Vdc (IEC)  
 Rated Current: 50-160A, 450-800A and 1000-1600A  
 Breaking Capacity:  
 Size 1\* 85kA at 750Vdc, L/R 95ms  
 80kA at 950Vdc, L/R 40ms  
 Size 3 and 23 110kA at 750Vdc, L/R 40ms



##### Operating Class

aR size 1\*  
 gR size 3 and 23

##### Standards/Agency Information

IEC 60269

##### Catalogue Numbers

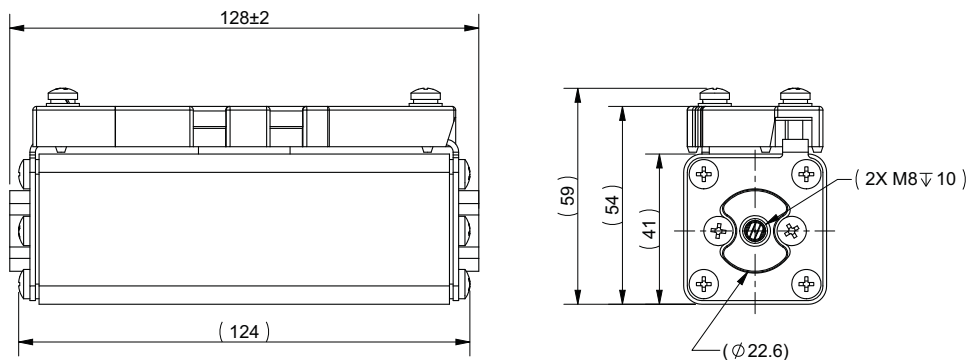
Catalogue Numbers	Fuse Link Type	Fuse Link Size	Rated Voltage	Rated Current (Amps)	I <sup>2</sup> t (A <sup>2</sup> s)		Watts Loss (W)	
					Pre-Arcing	Total at 750Vdc	0.8 I <sub>n</sub>	I <sub>n</sub>
170M2000	Flush End	1*	750Vdc (IEC)	50	390	1300	15	27
170M2001				63	610	2050	18	35
170M2002				80	670	2250	19	37
170M2003				100	2450	8150	21	40
170M2004				125	2950	9800	24	47
170M2005				160	5500	18,250	29	56
170M2010	Flush End	3		450	65,700	272,300	46	87
170M2011				500	83,200	344,800	52	98
170M2012				550	136,700	566,500	67	126
170M2013				630	173,500	719,000	75	142
170M2014				700	268,000	1,110,500	78	156
170M2015				750	307,600	1,275,000	83	167
170M2016	Parallel	23		800	349,900	1,450,000	89	178
170M2017				1000	476,300	1,973,700	112	187
170M2018				1250	694,000	2,875,800	134	224
170M2019				1400	1,071,600	4,440,500	152	254
170M2020				1500	1,230,200	5,097,700	165	275
170M2021				1600	1,399,700	5,800,100	180	300

## Traction Fuse Links

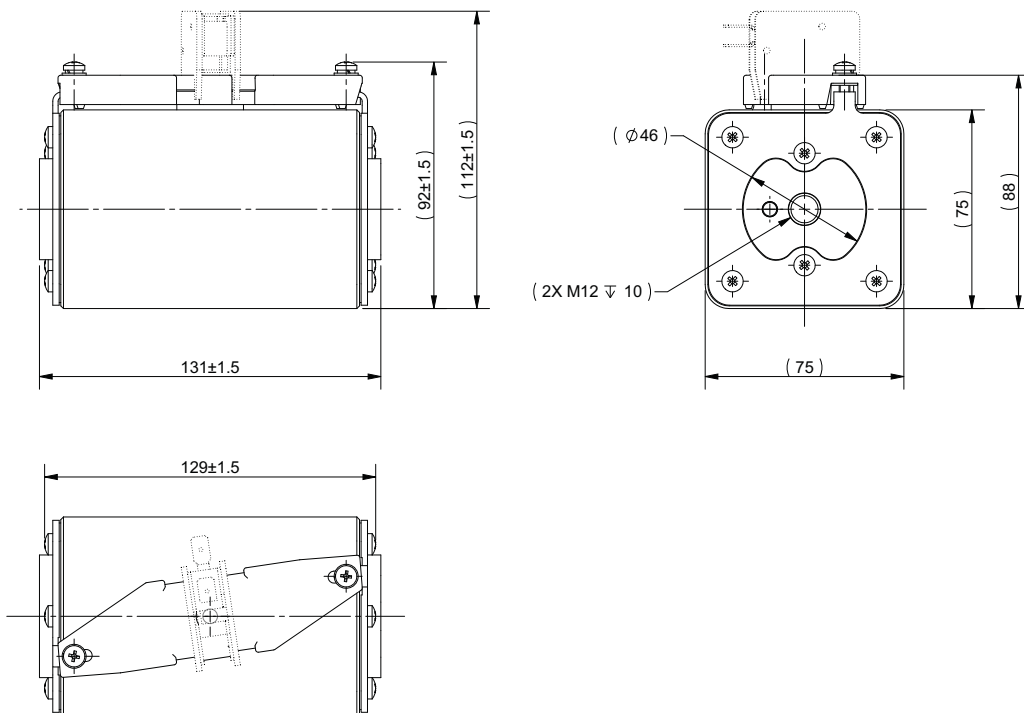
Size 1\*, 3 and 23 Square Body Fuse Links  
750Vdc (IEC), 50A to 1600A

Dimensions - mm

170M2000 to 170M2005 - Flush End - Size 1\*



170M2010 to 170M2016 - Flush End - Size 3

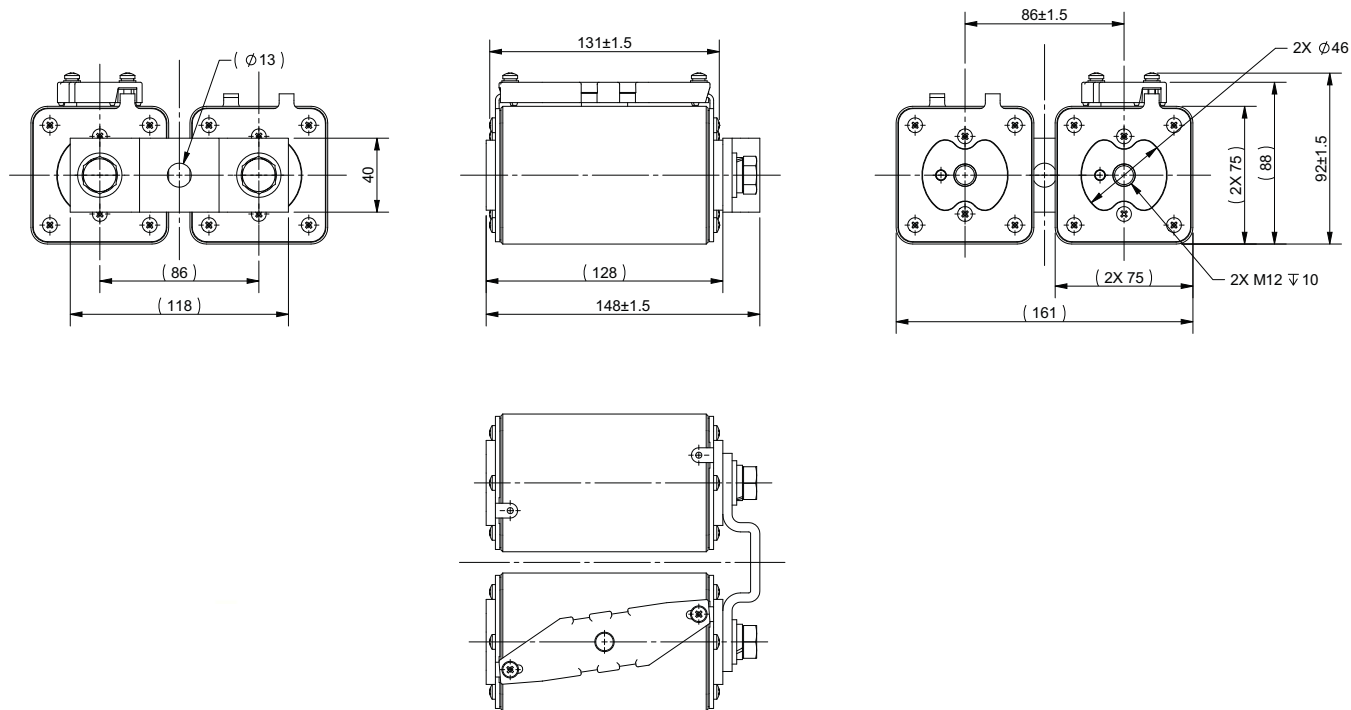


# Traction Fuse Links

Size 1\*, 3 and 23 Square Body Fuse Links  
750Vdc (IEC), 50A to 1600A

Dimensions - mm

170M2017 to 170M2021 - Parallel - Size 23



## Traction Fuse Links

Size 1\*, 1, 2 and 3 Square Body Fuse Links  
750Vdc (IEC), 63A to 500A

### Specifications

#### Description

Traction flush end square body high speed fuse links for superior protection of DC third rail applications up to 750Vdc.

#### Technical Data

Rated Voltage: 750Vdc (IEC)

Rated Current: 63-500A

Rated Breaking Capacity:

100kA at 1000Vdc, L/R 40ms

100kA at 750Vdc, L/R 100ms



Operating Class: gR

#### Standards/Agency Information

Contact Bussmann [bulehighspeedtechnical@eaton.com](mailto:bulehighspeedtechnical@eaton.com)

#### Catalogue Numbers

-BK Flush End		-EK Knife Blade		Fuse Link Size	Rated Voltage	Rated Current (Amps)	(I <sup>2</sup> t (A <sup>2</sup> s)	Watts Loss (W)
Catalogue Numbers	Fuse Link Type	Catalogue Numbers	Fuse Link Type				Pre-Arcing	I <sub>n</sub>
170E3577	BK/130	170E3583	EK/155	1*	750Vdc (IEC)	63	1100	10
170E3578		170E3584				80	1750	13
170E3579		170E3585				100	3000	16
170E3580		170E3586				125	4500	21
170E3581		170E3587				160	7700	26
170E5417		170E5420				EK/165	1	200
170E5418		170E5421	250	18,000				46
170E8335		170E8345	EK/170	2		250	17,000	47
170E8336		170E8346				315	28,000	57
170E8337		170E8347				400	55,000	73
170E9681		170E9685				EK/170	3	500

Data Sheets: Size 1\* 170K3620, Size 1 170k3622, Size 2 170K3624, Size 3 170K3626

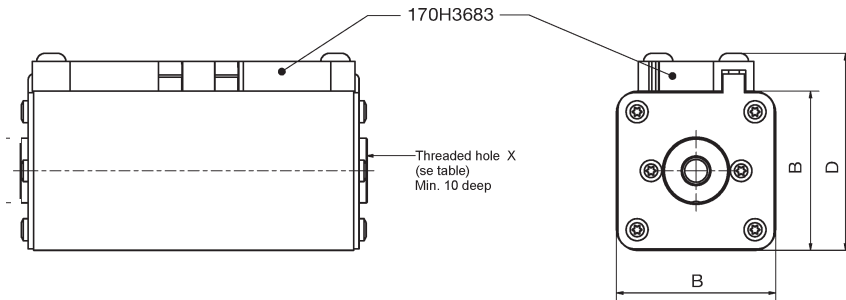


# Traction Fuse Links

## Size 1\*, 1, 2 and 3 Square Body Fuse Links 750Vdc (IEC), 63A to 500A

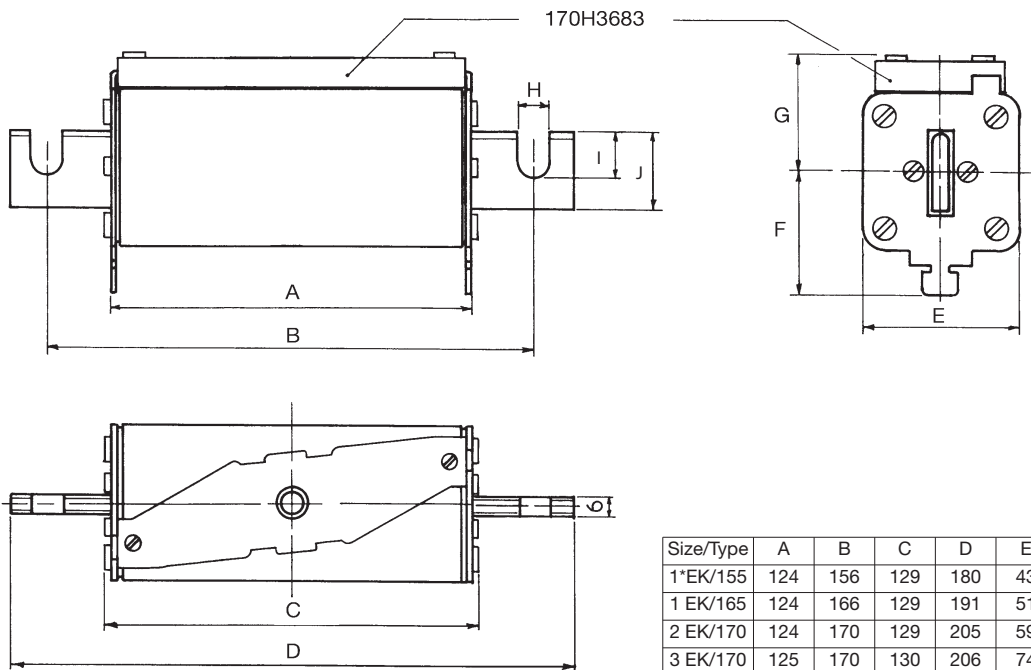
Dimensions - mm

Type -BK/130



Size/Type	A	B	D	X
1*BK/130	129	43	61	M8
1 BK/130	130	51	69	M8
2 BK/130	130	59	77	M10
3 BK/130	131	74	90	M12

Type -EK/-



Size/Type	A	B	C	D	E	F	G	H	I	J
1*EK/155	124	156	129	180	43	36	41	9	9	18
1 EK/165	124	166	129	191	51	37	41	11	14	25
2 EK/170	124	170	129	205	59	42	48	13	21	30
3 EK/170	125	170	130	206	74	51	56	13	20	36

Data Sheets: Size 1\* 170K3620, Size 1 170k3622, Size 2 170K3624, Size 3 170K3626

## Traction Fuse Links

### Size 4 Square Body Fuse Link 1250Vac/850Vdc (IEC), 1400A

#### Specifications

##### Description

Traction flush end square body high speed fuse link suitable for use in third rail collector systems to protect high speed DC breakers in low time constant, high fault conditions. Suitable for 1250Vac/850Vdc systems.

##### Technical Data

Rated Voltage: 850Vdc/1250Vac (IEC)  
 Rated Current: 1400A  
 Tested Breaking Capacity:  
     100kA at 1250Vac  
     80kA at 850Vdc, L/R 8ms

Operating Class: aR

##### Standards/Agency Information

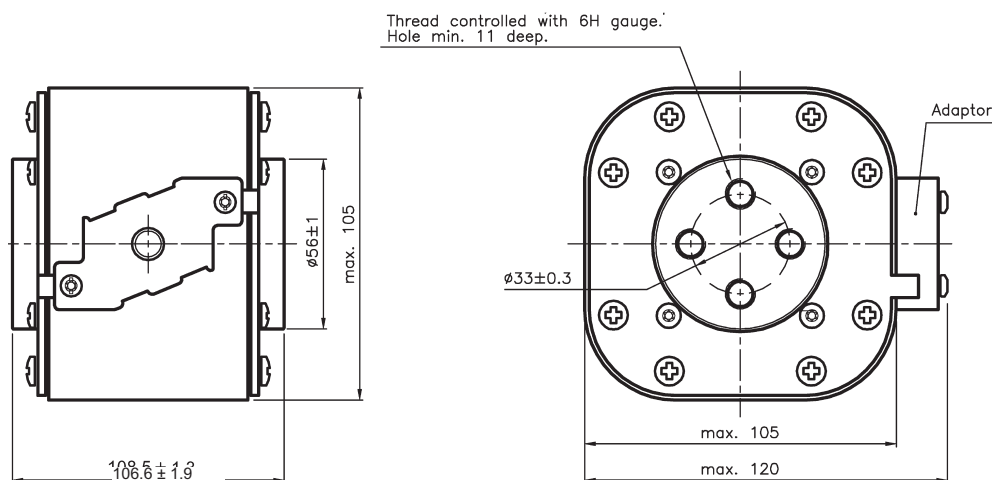
Contact Bussmann [bulehighspeedtechnical@eaton.com](mailto:bulehighspeedtechnical@eaton.com).



#### Catalogue Numbers

Catalogue Numbers	Fuse Link Size	Rated Voltage	Rated Current (Amps)	I <sup>2</sup> t (A <sup>2</sup> s)		Watts Loss (W)
				Pre-Arcing	Total at 1250Vac	
170M7217	4	850Vdc/1250Vac (IEC)	1400	800,000	5,000,000	195

#### Dimensions - mm



Data Sheets: 170K6640, 170K6642

## Traction Fuse Links

### Size 1\* Square Body Fuse Links 1200Vdc (IEC), 20A to 215A

#### Specifications

##### Description

Traction bolted tags square body high speed fuse links for superior protection of DC third rail applications up to 1200Vdc.

##### Technical Data

Rated Voltage: 1200Vdc (IEC)

Rated Current: 20-215A

Tested Breaking Capacity:

50kA at 1350Vdc, L/R 12ms



Operating Class: aR

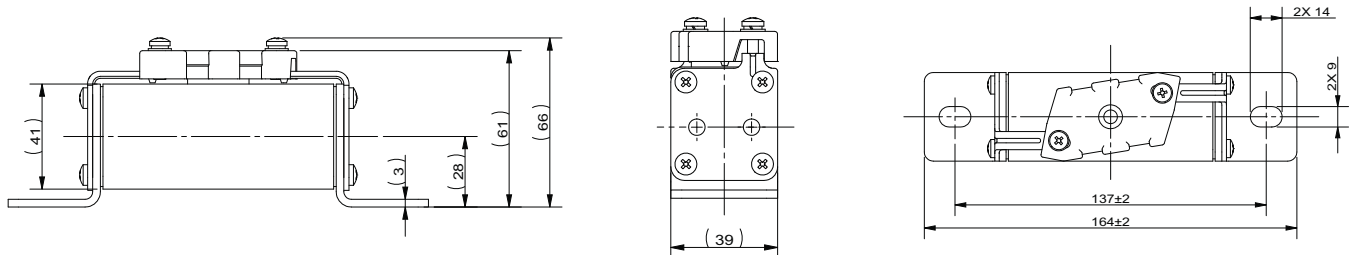
##### Standards/Agency Information

IEC 60269

##### Catalogue Numbers

Catalogue Numbers	Fuse Link Type	Fuse Link Size	Rated Voltage	Rated Current (Amps)	I <sup>2</sup> t (A <sup>2</sup> s)		Watts Loss (W)	
					Pre-Arcing	Total at 1200Vdc	0.8 I <sub>n</sub>	I <sub>n</sub>
170M2100	Single Slot Tag	1*	1200Vdc (IEC)	20	82	249	1	2
170M2101				25	173	526	4	8
170M2102				32	327	994	5	9
170M2103				40	550	1675	1	9
170M2104				50	950	2890	7	13
170M2105				63	1310	3990	5	9
170M2106				80	1970	6000	13	23
170M2107				100	3800	11,600	14	26
170M2108				125	8550	26,025	13	24
170M2109				160	8770	26,700	24	44
170M2110				200	15,200	46,300	29	52
170M2111				215	16,430	50,000	32	58

#### Dimensions - mm



Data Sheet: 720141

## Traction Fuse Links

### Size 2 Square Body Fuse Links 1200Vdc (IEC), 160A to 420A

#### Specifications

##### Description

Traction bolted tags square body high speed fuse link for superior protection in DC traction applications up to 1200Vdc

##### Technical Data

Rated Voltage: 1200Vdc (IEC)

Rated Current: 160-420A

Rated Breaking Capacity:

100kA at 1000Vdc, L/R = 45ms

100kA at 1200Vdc, L/R = 15ms



Operating Class: aR

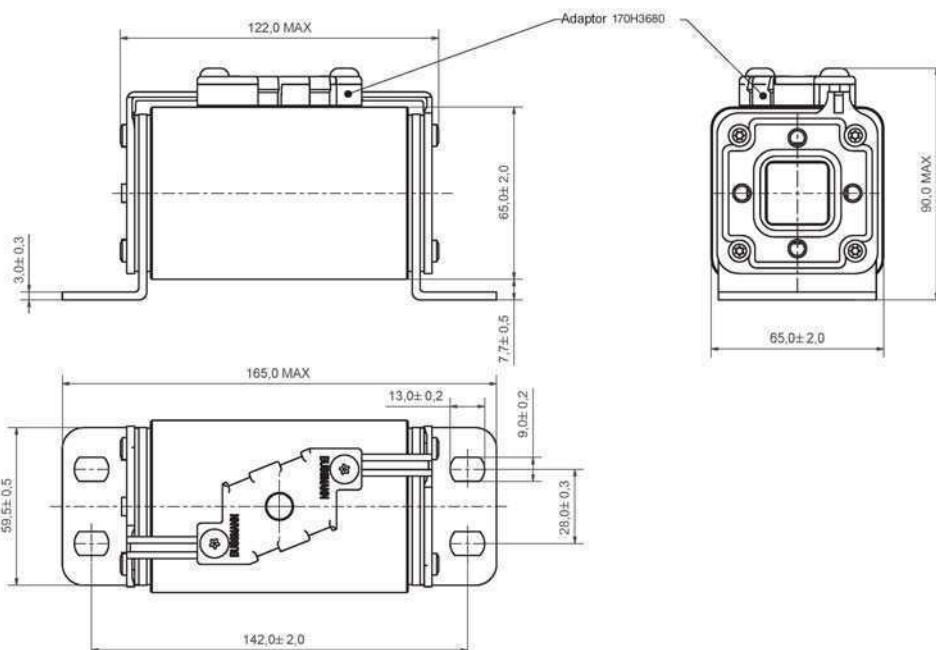
##### Standards/Agency Information

Consult Bussmann [bulehighspeedtechnical@eaton.com](mailto:bulehighspeedtechnical@eaton.com).

##### Catalogue Numbers

Catalogue Numbers	Fuse Link Type	Fuse Link Size	Rated Voltage	Rated Current (Amps)	I <sup>2</sup> t (A <sup>2</sup> s)		Watts Loss (W)
					1000Vdc L/R 15ms	1000Vdc L/R 45ms	
170F8230	Double slotted tag	2	1200Vdc (IEC)	160	12,000	20,000	75
170F8231				200	20,000	35,000	85
170F8232				250	43,000	75,000	94
170F8233				315	87,000	150,000	104
170F8234				400	180,000	310,000	120
170F8235				420	215,000	375,000	122

##### Dimensions - mm



Data Sheet: 170K5520

## Traction Fuse Links

### Size 1\* Square Body Fuse Links 2000Vdc (IEC), 10A to 100A

#### Specifications

##### Description

Traction bolted tags square body high speed fuse link which provides superior protection in DC traction applications up to 2000Vdc

##### Technical Data

Rated Voltage: 2000Vdc (IEC)

Rated Current: 10-100A

Tested Breaking Capacity:

40kA at 2000Vdc, L/R 30ms

Operating Class: aR

##### Standards/Agency Information

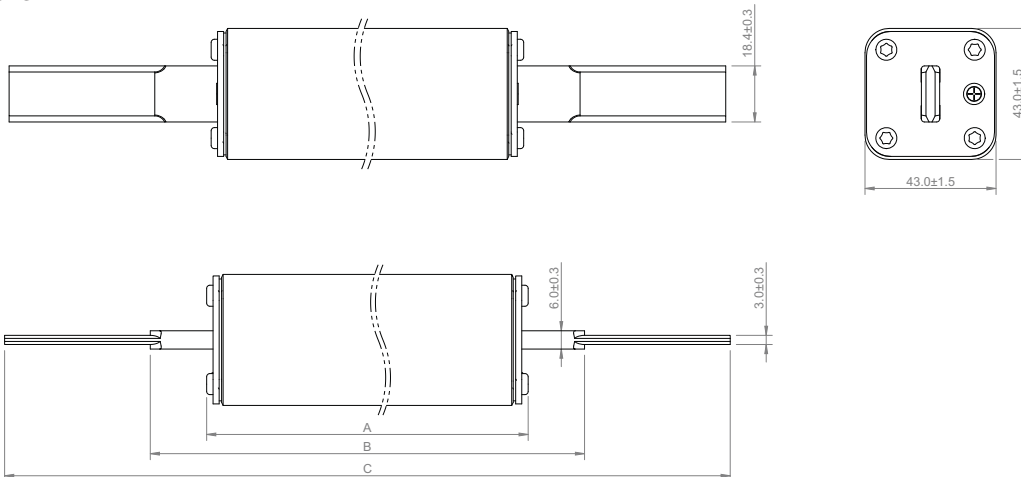
Consult Bussmann [bulehighspeedtechnical@eaton.com](mailto:bulehighspeedtechnical@eaton.com).



#### Catalogue Numbers

Catalogue Numbers	Fuse Link Type	Fuse Link Size	Rated Voltage	Rated Current (Amps)	Watts Loss (W)
170E3977	Knife Blade Style	1*	2000Vdc (IEC)	10	7
170E3982				12	8
170E3971				16	11
170E3906				20	13
170E3907				25	17
170E3908				32	22
170E3909				40	27
170E3910				50	34
170E3911				63	43
170E3912				80	50
170E3946				100	61

#### Dimensions - mm



A	B	C
215 ± 2.5	250.5 ± 3.2	345.5 ± 3.5

Data Sheet: 170K4538

## Traction Fuse Links

### Size 1\* Square Body Fuse Links 2000Vdc (IEC), 10A to 125A

#### Specifications

##### Description

Traction bolted tags square body high speed fuse link which provides superior protection in DC traction applications up to 2000Vdc

##### Technical Data

Rated Voltage: 2000Vdc (IEC)

Rated Current: 10-125A

Tested Breaking Capacity:

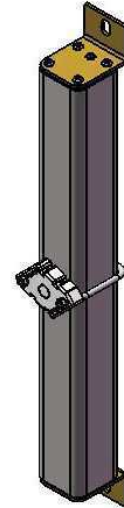
40kA at 2000Vdc, L/R 30ms

##### Class of Operation:

aR (170E3937 to 170E3945)/gR (170E3950 to 170E3956 and 170E3970 and 170E3976)

##### Standards/Agency Information

Consult Bussmann [bulehighspeedtechnical@eaton.com](mailto:bulehighspeedtechnical@eaton.com).



#### Catalogue Numbers

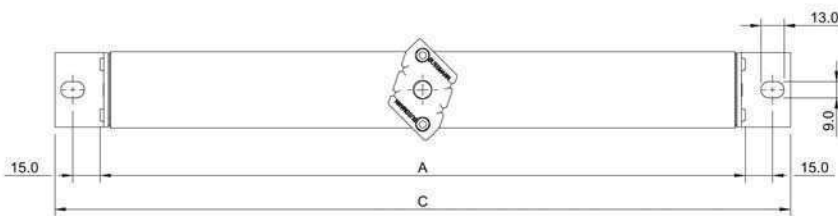
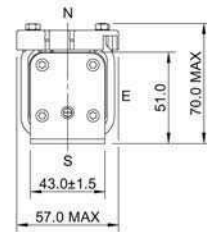
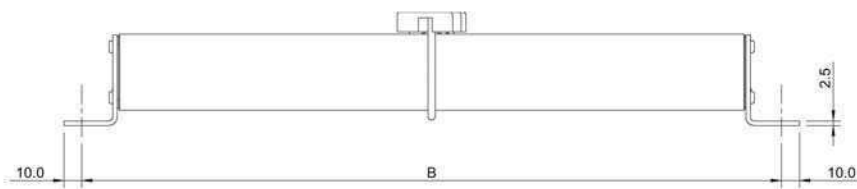
Catalogue Numbers	Fuse Link Type	Fuse Link Size	Rated Voltage	Rated Current (Amps)	Watts Loss (W)
170E3937	Bolted Blade Style	1*	2000Vdc (IEC)	20	13
170E3938				25	16
170E3939				32	20
170E3940				40	25
170E3941				50	32
170E3942				63	40
170E3943				80	51
170E3944				100	64
170E3945				125	80
170E3976				10	7
170E3970				16	11
170E3950				20	13
170E3951				25	17
170E3952				32	22
170E3953				40	27
170E3954				50	34
170E3955				63	43
170E3956				80	40

Data Sheets: 170K4538 (IR = 30kA), 170K4900 (IR = 60kA)

# Traction Fuse Links

Size 1\* Square Body Fuse Links  
2000Vdc (IEC), 10A to 125A

Dimensions - mm



A	B	C
217	246	266

## Traction Fuse Links

### Square Body Fuse Links

2000Vdc (IEC), 20A to 600A, 170M Series

#### Specifications

##### Description

Traction bolted tags square body high speed fuse links which provides superior protection for DC traction third rail applications up to 2000Vdc.

##### Technical Data

Rated Voltage: 2000Vdc (IEC)  
 Rated Current: 20-215A Single slot tag  
 160-400A Double slot tag  
 500-600A Parallel double slot tag  
 Rated Breaking Capacity:  
 100kA at 2000Vdc, L/R <15ms  
 100kA at 1500Vdc, L/R <30ms



Operating Class: aR

##### Standards/Agency Information

Tested in line with IEC 60269.

##### Catalogue Numbers

Catalogue Numbers	Fuse Link Type	Rated Voltage	Rated Current (Amps)	I <sup>2</sup> t (A <sup>2</sup> s)		Watts Loss (W)			
				Pre-Arcing	Total at 2000V	0.8 I <sub>n</sub>	I <sub>n</sub>		
170M2046	Single Slot Tag	2000Vdc (IEC)	20	85	240	9	12		
170M2047			25	130	390	9	16		
170M2048			32	220	645	11	18		
170M2049			40	390	1140	12	20		
170M2050			50	610	1780	17	33		
170M2051			63	1030	3000	20	39		
170M2052			80	1555	4550	28	53		
170M2053			100	2680	7840	33	63		
170M2054			125	4110	12,020	42	79		
170M2055			160	6620	19,360	45	87		
170M2056			200	10,720	31,360	50	95		
170M2057			215	21,870	64,000	51	97		
170M2039			Double Slot Tag	2000Vdc (IEC)	160	7875	75,960	68	91
170M2040					200	12,300	118,670	85	113
170M2041	250	21,870			211,000	100	133		
170M2042	315	38,880			375,110	119	158		
170M2043	400	65,710			633,965	148	176		
170M2044	Parallel Double Slot Tag	500	105,851		163,010	109	230		
170M2045		600	188,179		289,796	153	305		

Data Sheet: 720142



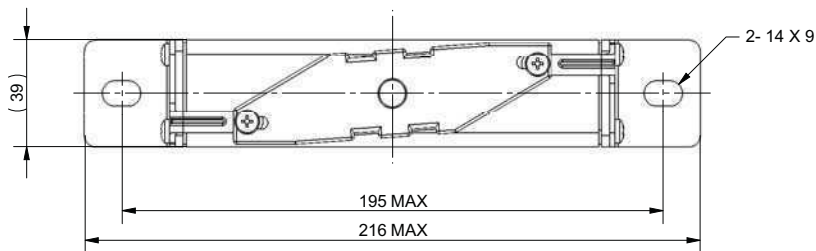
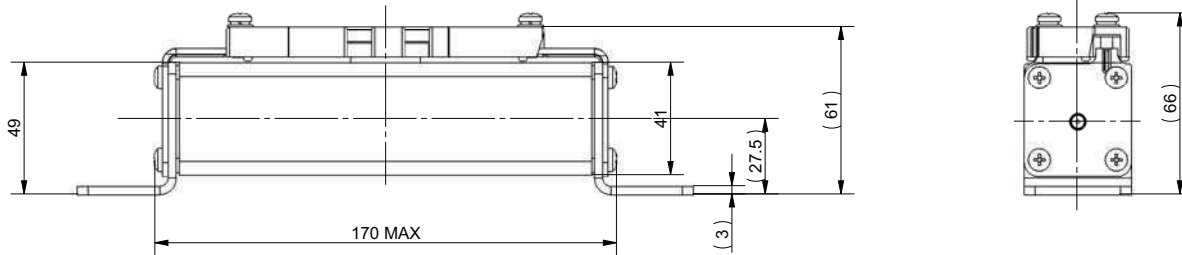
# Traction Fuse Links

## Square Body Fuse Links

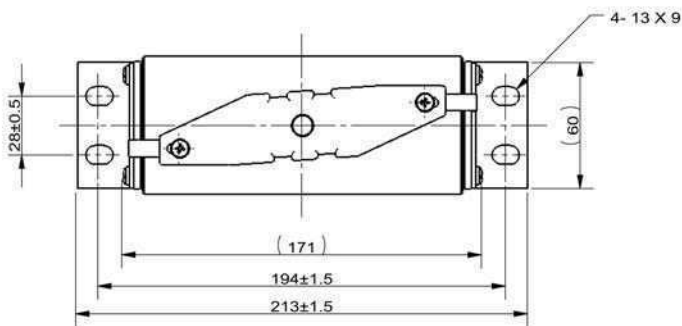
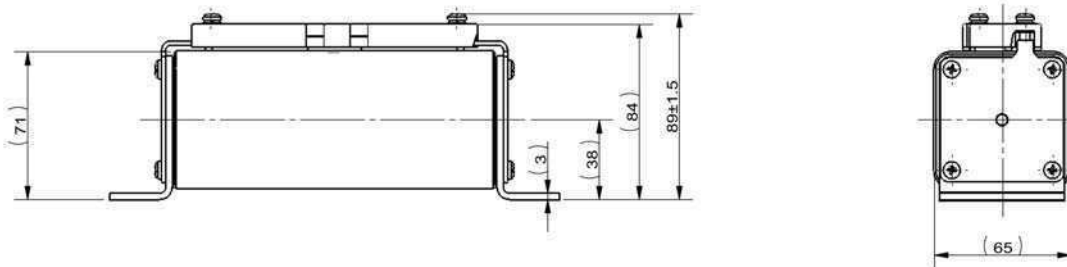
2000Vdc (IEC), 20A to 600A, 170M Series

Dimensions - mm

170M2046 to 170M2057 - Single Slot Tag



170M2039 to 170M2043 - Double Slot Tag



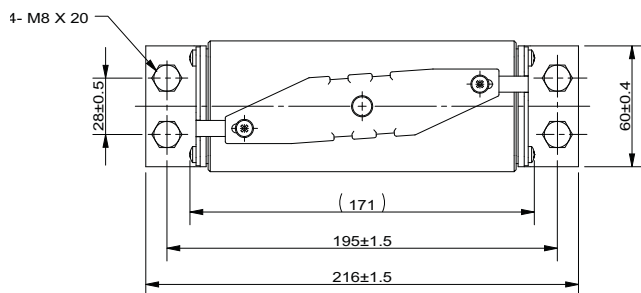
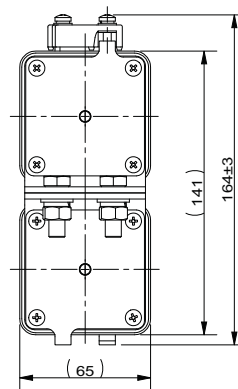
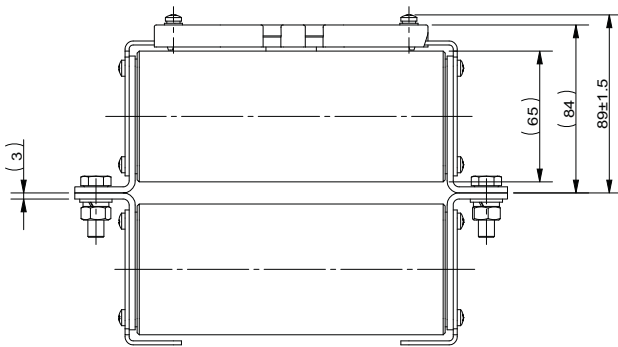
# Traction Fuse Links

## Square Body Fuse Links

2000Vdc (IEC), 20A to 600A, 170M Series

Dimensions - mm

170M2044 and 170M2045 - Parallel Double Slot Tag



## Traction Fuse Links

### Size 3 Square Body Fuse Links 2400Vdc (IEC), 100A to 400A, 170M Series

#### Specifications

##### Description

Traction bolted tags square body high speed fuse links for superior protection of DC third rail applications up to 2400Vdc.

##### Technical Data

Rated Voltage: 2400Vdc (IEC)

Rated Current: 100-400A

Tested Breaking Capacity: 100kA at 2400Vdc, L/R<15ms  
100kA at 2000Vdc, L/R < 45ms

Operating Class: aR

##### Standards/Agency Information

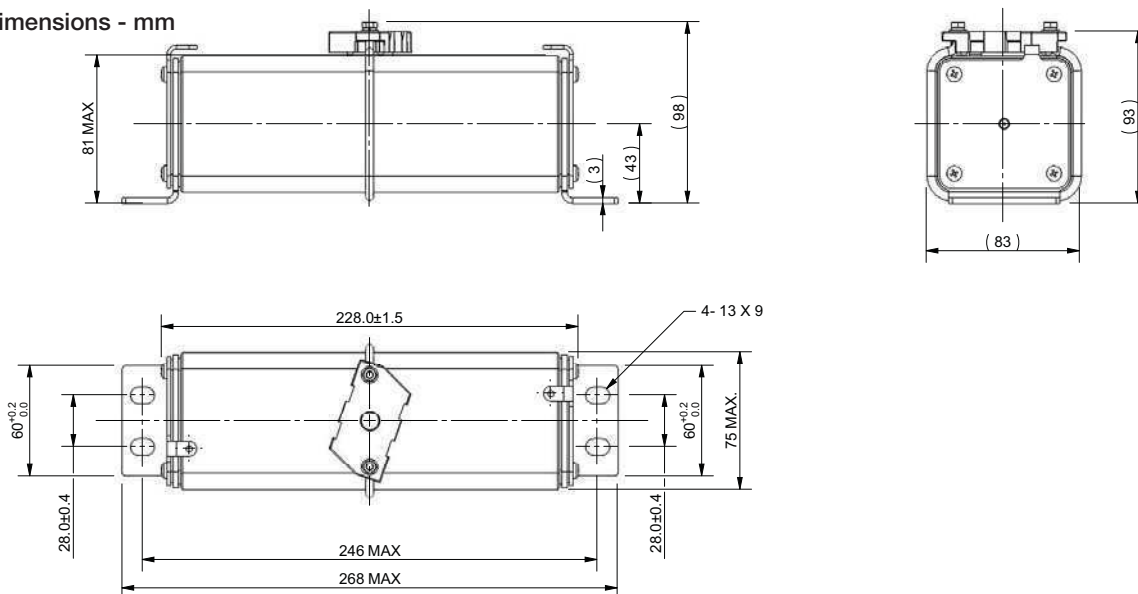
Tested in line with IEC 60269



#### Catalogue Numbers

Catalogue Numbers	Fuse Link Type	Fuse Link Size	Rated Voltage	Rated Current (Amps)	I <sup>2</sup> t (A <sup>2</sup> s)		Watts Loss (W)	
					Pre-Arcing	Total at 2000Vdc	0.8 I <sub>n</sub>	I <sub>n</sub>
170M2090	Double Slot Tag	3	2400Vdc (IEC)	100	5468	15,457	20	39
170M2091				160	16,427	46,439	43	84
170M2092				200	25,667	72,561	53	97
170M2093				250	36,960	104,488	60	103
170M2094				315	66,977	189,346	82	162
170M2095				350	87,480	247,309	89	175
170M2096				400	110,717	313,000	103	203

#### Dimensions - mm



Data Sheet: 720143

## Traction Fuse Links

### Size 1\* Square Body Fuse Links 4000Vdc (IEC), 20A to 125A, 170E Series

#### Specifications

##### Description

Traction bolted tags square body high speed fuse link for superior protection in DC traction applications up to 4000Vdc

##### Technical Data:

Rated Voltage: 4000Vdc (IEC)

Rated Current: 20-125A

Tested Breaking Capacity:

50kA at 4000Vdc, L/R 10ms

Operating Class: aR

##### Standards/Agency Information

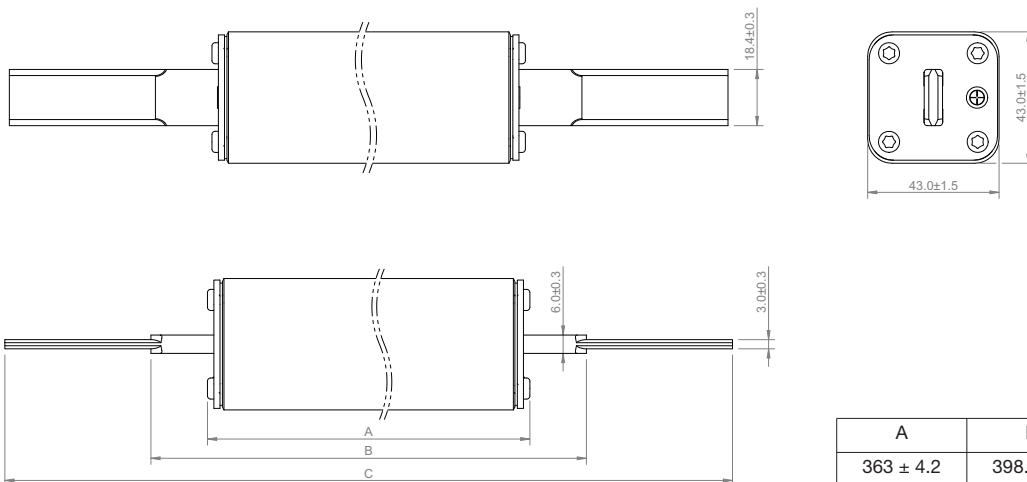
Consult Bussmann [bulehighspeedtechnical@eaton.com](mailto:bulehighspeedtechnical@eaton.com).



#### Catalogue Numbers

Catalogue Numbers	Fuse Link Size	Rated Voltage	Rated Current (Amps)	Watts Loss (W)
				$I_n$
170E3924	1*	4000Vdc (IEC)	20	23
170E3925			25	28
170E3926			32	34
170E3927			40	45
170E3928			50	57
170E3929			63	72
170E3930			80	91
170E3931			100	114
170E3932			125	143

#### Dimensions - mm



Data Sheet: 170K6600

## Traction Fuse Links

### Size 1\*, 2 and 2//2 Square Body Fuse Links 4000Vdc (IEC), 20A to 450A, 170E Series

#### Specifications

##### Description

Traction bolted tags square body high speed fuse link for superior protection in DC traction applications up to 4000Vdc

##### Technical Data:

Rated Voltage: 4000Vdc (IEC)

Rated Current: 20-450A

Rated Breaking Capacity:

60kA at 4000Vdc, L/R 25ms

Operating Class: aR

##### Standards/Agency Information

Consult Bussmann [bulehighspeedtechnical@eaton.com](mailto:bulehighspeedtechnical@eaton.com).

#### Catalogue Numbers

Catalogue Numbers	Fuse Link Size	Rated Voltage	Rated Current (Amps)	Watts Loss (W)
				$I_n$
170E3914	1*	4000Vdc (IEC)	20	23
170E3915			25	28
170E3916			32	34
170E3917			40	45
170E3918			50	57
170E3919			63	72
170E3984			80	91
170E3933			100	114
170E3922			125	143
170E8882			2	4000Vdc (IEC)
170E8883	200	228		
170E8884	250	285		
170E8885	2//2	315	360	
170E8886		350	400	
170E8887		400	455	
170E8888		450	515	

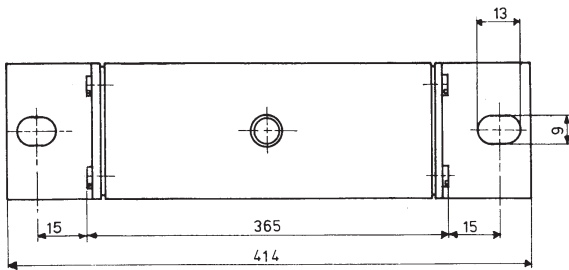
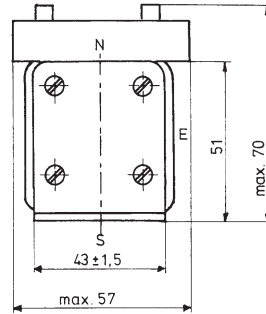
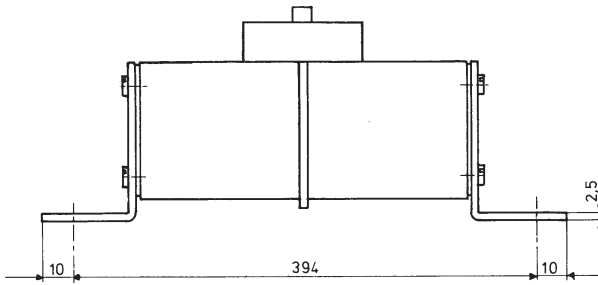
Data Sheets: 1\* 170K6600, 2 & 2//2 170K6604

# Traction Fuse Links

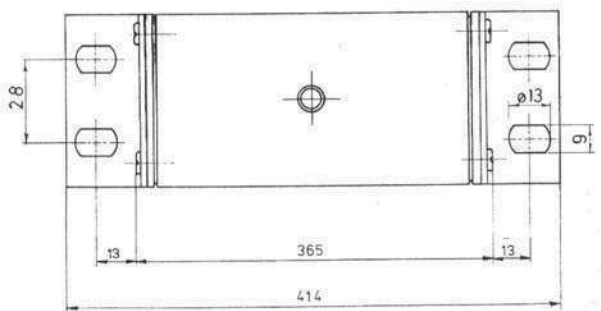
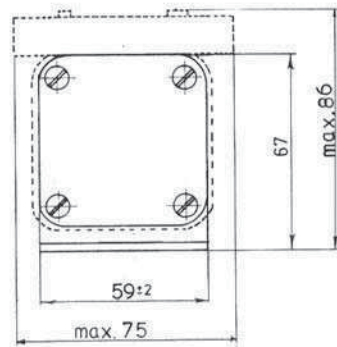
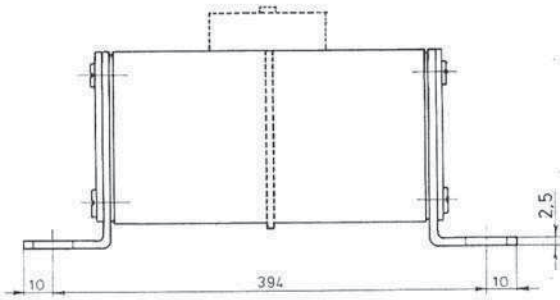
Size 1\*, 2 and 22 Square Body Fuse Links  
4000Vdc (IEC), 20A to 450A, 170E Series

Dimensions - mm

Type 1\*SKN/394



Type 2SKN/394



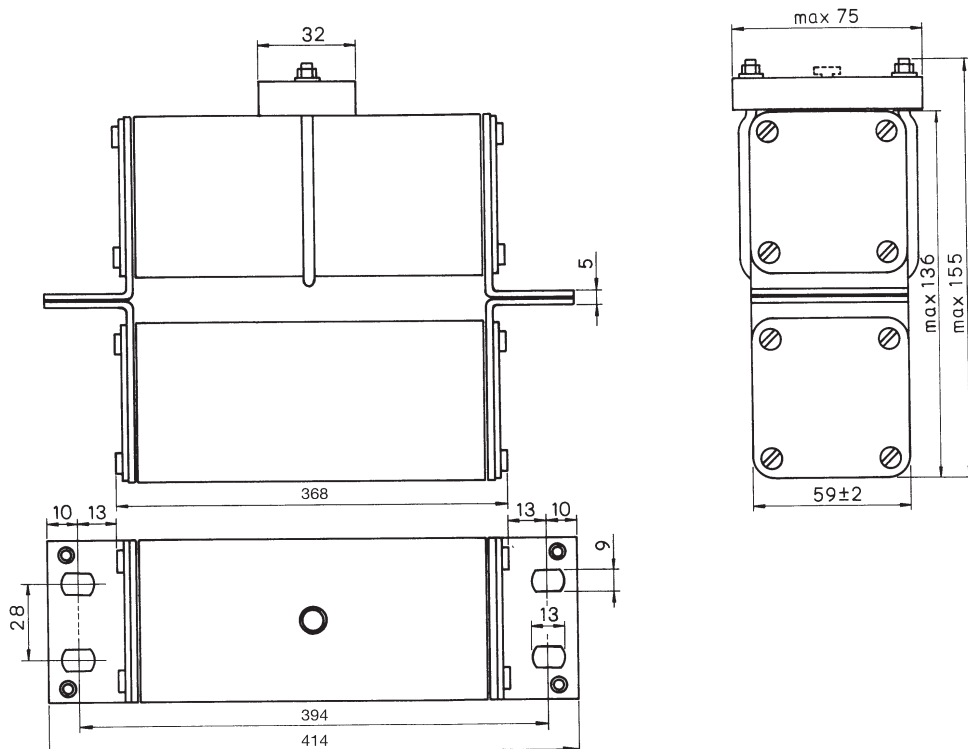
Data Sheets: 1\* 170K6600, 2 & 2/2 170K6604

# Traction Fuse Links

Size 1\*, 2 and 22 Square Body Fuse Links  
4000Vdc (IEC), 20A to 450A, 170E Series

Dimensions - mm

Type 2//SKN/394



## Traction Fuse Links

### 20x127 and 25x146mm Ferrule Fuse Links 750Vdc (IEC), 5A to 60A, FWK Series

#### Specifications

##### Description

Ferrule high speed fuse links for light rail applications in auxiliary power and distribution equipment.

##### Technical Data

Rated Voltage: 750Vdc (IEC)

Rated Current: 5-30A (20x127mm)  
35-60A (25x146mm)

Rated Breaking Capacity:  
50kA at 750Vdc, L/R 10-15ms



Operating Class: gG

##### Standards/Agency Information

Tested in line with IEC 60269

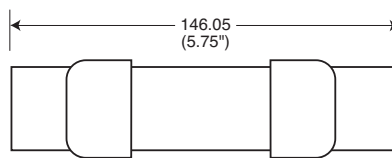
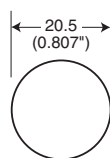
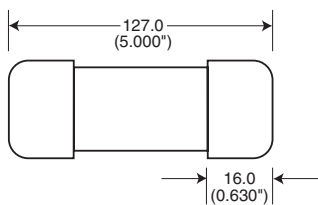
##### Catalogue Numbers

Catalogue Numbers	Fuse Link Size	Rated Voltage	Rated Current (Amps)	I <sup>2</sup> t (A <sup>2</sup> Sec)		Watts Loss (W)
				Minimum Pre-Arc	Clearing at 750Vdc	
FWK-5A20F	20x127mm ( <sup>13</sup> / <sub>18</sub> " x 5")	750Vdc (IEC)	5	8.5	16	6.7
FWK-8A20F			8	50	100	8.8
FWK-10A20F			10	95	200	8.5
FWK-15A20F			15	100	240	5
FWK-20A20F			20	125	315	7.8
FWK-25A20F			25	400	1100	6.5
FWK-30A20F			30	800	2600	6.5
FWK-35A25F	25x146mm (1" x 5 <sup>3</sup> / <sub>4</sub> ")		35	1300	4300	6
FWK-40A25F			40	1600	5300	6.8
FWK-50A25F			50	3100	12000	7.3
FWK-60A25F			60	5900	24000	7.7

##### Dimensions - mm (in)

5-30A

35-60A



Data Sheets: 720039, 35785031



## Traction Fuse Links

### Ferrule Fuse Links

750Vdc (IEC), 30A to 50A, LRC750 Series

#### Specifications

##### Description

Ferrule high speed fuse links for light rail applications in auxiliary power and distribution equipment. Also suitable for heavy rails applications in instrumentation and control circuits equipment.

##### Technical Data

Rated Voltage: 750Vdc (IEC)

Rated Current: 30-50A

Rated Breaking Capacity:

50kA at 750Vdc, L/R 15-20ms

Operating Class: gR

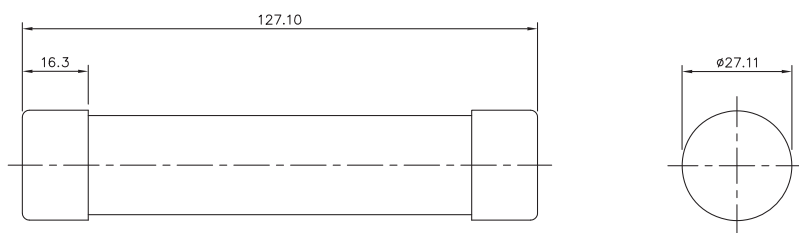
##### Standards/Agency Information

Tested in line with IEC 60269

##### Catalogue Numbers

Catalogue Numbers	Fuse Link Type	Rated Voltage	Rated Current (Amps)	I <sup>2</sup> t (A <sup>2</sup> s)		Watts Loss (W)
				Pre-Arcing	Clearing at 750Vdc	
30LRC750	LRC750	750Vdc (IEC)	30	700	2250	4.5
40LRC750			40	1800	5300	5.8
50LRC750			50	3100	12000	9.4

##### Dimensions - mm



## Traction Fuse Links

### 20x127mm Ferrule Fuse Links FWL and FWS Series 1200-1400-2000Vac (IEC), 1000Vdc (IEC), 2A to 30A

#### Specifications

##### Description

Ferrule high speed fuse links for light rail applications in auxiliary power and distribution equipment.

##### Technical Data

Rated Voltage: FWL: 1200Vac (IEC)/1000Vdc  
FWS: 2000Vac/1000Vdc (IEC, 2-8A)  
1400Vac/1000Vdc (IEC, 10-15A)

Rated Current: 2-30A

Rated Breaking Capacity:  
50kA at 1000Vdc, L/R 15ms

Operating Class: gG

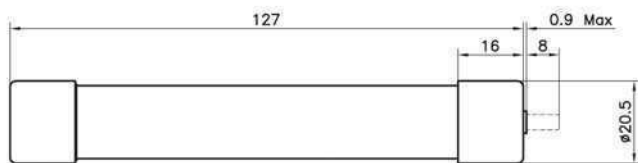
##### Standards/Agency Information

Consult Bussmann [bulehighspeedtechnical@eaton.com](mailto:bulehighspeedtechnical@eaton.com).

#### Catalogue Numbers

Catalogue Numbers		Fuse Link Size	Rated Voltage	Rated Current (Amps)	I <sup>2</sup> t (A <sup>2</sup> Sec)		Watts Loss (W)
Without Indicator	With Indicator				Pre-Arcing	Clearing at 1000Vdc	
FWS-2A20F	FWS-2A20FI	20x127mm (1 <sup>3</sup> / <sub>16</sub> " x 5)	2000Vac 1000Vdc (IEC)	2	0.8	2.4	4.4
FWS-6A20F	FWS-6A20FI			6	27	81	6.7
FWS-8A20F	FWS-8A20FI			8	64	192	7.6
FWS-10A20F	FWS-10A20FI		1400Vac/ 1000Vdc (IEC)	10	118	277	3.0
FWS-12A20F	FWS-12A20FI			12	170	380	3.4
FWS-15A20F	FWS-15A20FI			15	209	500	5.0
FWL-20A20F	FWL-20A20FI	20x127mm (1 <sup>3</sup> / <sub>16</sub> " x 5)	1200Vac (IEC) 1000Vdc (IEC)	20	675	1550	5.9
FWL-25A20F	FWL-25A20FI			25	1200	2760	6.5
FWL-30A20F	FWL-30A20FI			30	1850	4300	7.5

#### Dimensions - mm



Data Sheets: 720040, 5785109

## Traction Fuse Links

### Round Body Fuse Links KC36 Series 750Vdc (IEC), 5A to 60A

#### Specifications

##### Description:

Ferrule high speed fuse links for light rail applications in auxiliary power and distribution equipment. Also suitable for heavy rails applications in instrumentation and control circuits equipment.

##### Technical Data:

Rated Voltage: 750Vdc (IEC)

Rated Current: 5-60A

Rated Breaking Capacity:

50kA at 750Vdc, L/R 15-20ms



Operating Class: gG

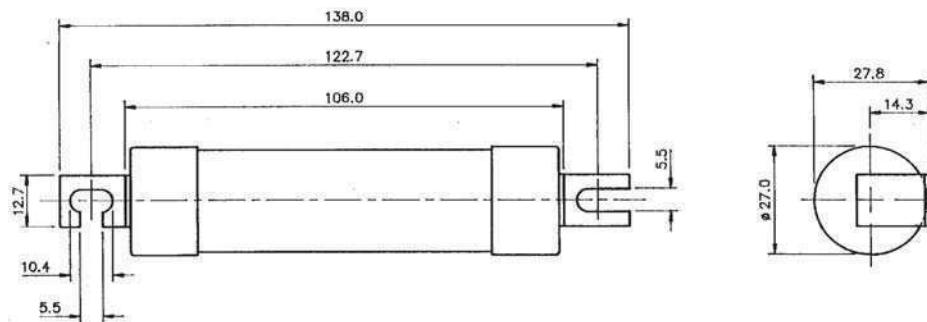
##### Standards/Agency Information

Tested in line with IEC 60269

##### Catalogue Numbers

Catalogue Numbers	Fuse Link Type	Rated Voltage	Rated Current (Amps)	I <sup>2</sup> t (A <sup>2</sup> s)		Watts Loss (W)
				Pre-Arcing	Clearing at 750Vdc	
5KC36	KC36	750Vdc (IEC)	5	8.5	16	6.7
8KC36			8	50	100	8.8
10KC36			10	95	200	8.5
15KC36			15	100	240	5
20KC36			20	125	315	7.8
25KC36			25	400	1100	6.5
30KC36			30	800	2600	6.5
35KC36			35	1300	4300	6
40KC36			40	1600	5300	6.8
50KC36			50	3100	12,000	7.3
60KC36			60	5900	24,000	7.7

##### Dimensions - mm



Data Sheets: 5778844 and 5785049

## Traction Fuse Links

### Round Body Fuse Links RC Series 750Vdc (IEC), 200A to 400A

#### Specifications

##### Description:

Round bodied bolted tags high speed traction fuse links which provides protection for DC traction third rail applications.

##### Technical Data:

Rated Voltage: 750Vdc (IEC)  
 Rated Current: 200-400A  
 Rated Breaking Capacity: Consult Bussmann

Operating Class: gG

##### Standards/Agency Information

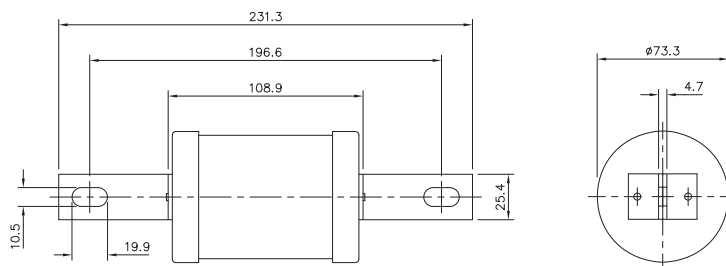
Consult Bussmann [bulehighspeedtechnical@eaton.com](mailto:bulehighspeedtechnical@eaton.com).



#### Catalogue Numbers

Catalogue Numbers	Operating Class	Rated Voltage	Rated Current (Amps)	$I^2t$ (A <sup>2</sup> s)	Watts Loss (W)
200RC	gG	750Vdc (IEC)	200	85,000	31
250RC			250	225,000	33
300RC			300	340,000	37
350RC			350	530,000	41
400RC			400	756,000	48

#### Dimensions - mm



Data Sheets: 5778869, 5785107 and 5785207

## Traction Fuse Links

### Round Body Fuse Links SF Series 900Vdc (IEC), 160A to 1000A

#### Specifications

##### Description:

Round bodied flush end high speed traction fuse links which provides protection for DC traction third rail applications.

##### Technical Data:

Rated Voltage: 900Vdc (IEC)

Rated Current: 160-1000A

Rated Breaking Capacity:

80kA at 900Vdc, L/R 80ms<sup>1</sup>

Operating Class: aR (600 to 1000A)/gR (160 to 320A)

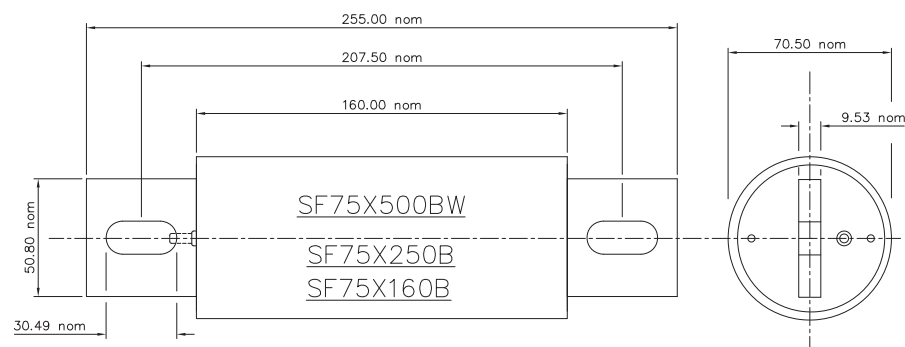


#### Catalogue Numbers

Catalogue Numbers		Rated Voltage	Rated Current (Amps)	I <sup>2</sup> t (A <sup>2</sup> s)	Total at 900Vac
Blade Contact	Flush End Contact				
SF75X160B	-	900Vdc (IEC)	160	23,000	205,000
SF75X250B	-		250	54,000	90,000
SF75X500BW	-		320	150,000	570,000
SF75X600BW	-		600	585,000	4,000,000
SF75X800BW	SF75X800BB		800	1,400,000	9,000,000
SF100X1000	SF100X1000HP		1000	-	-

#### Dimensions - mm

Blade contact: SF75X160B, SF75X250B, SF75X500B



<sup>1</sup> Consult Bussmann for full details [bulehighspeedtechnical@eaton.com](mailto:bulehighspeedtechnical@eaton.com)

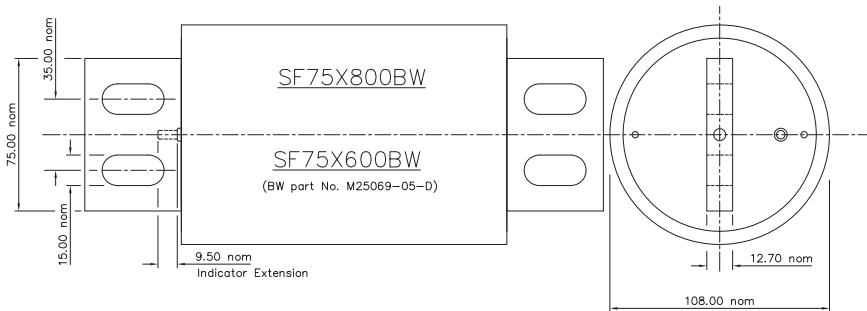
Data Sheets: 5785227, 5779017

## Traction Fuse Links

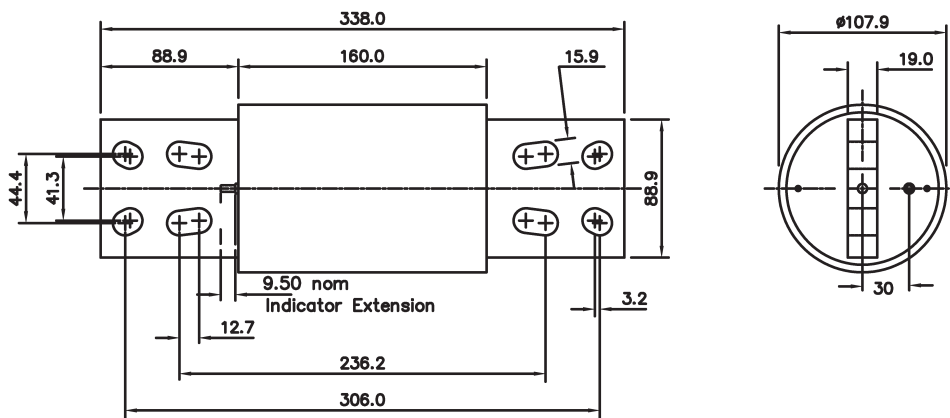
### Round Body Fuse Links SF Series 900Vdc (IEC), 160A to 1000A

#### Dimensions - mm

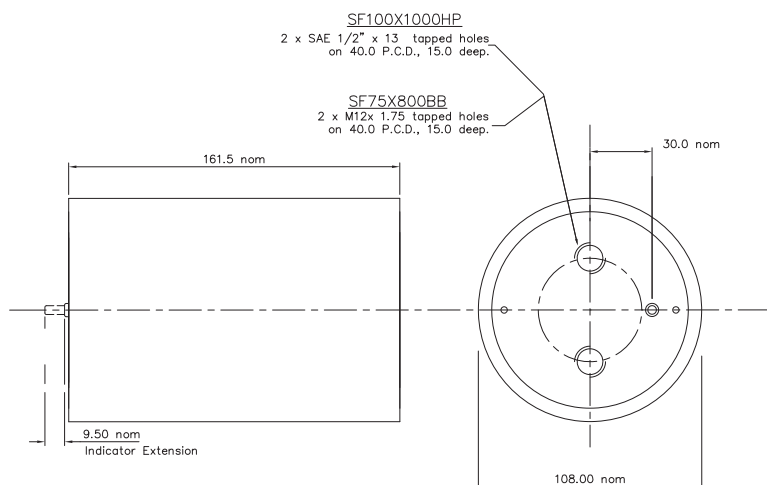
Blade contact: SF75X600BW and SF75X800BW



Blade contact: SF100X1000



Flush end: SF75X800BB and SF100X1000HP



Data Sheets: 5785227, 5779017

## Traction Fuse Links

### Round Body Fuse Links, NBC Series 1500Vdc (IEC), 25 to 200A

#### Specifications

##### Description

A range of round body bolted tags high speed fuse links for heavy rail applications such as auxiliary and distribution equipment.

##### Technical Data:

Rated Voltage: 1500Vdc (IEC)

Rated Current: 25-200A

Rated Breaking Capacity: Consult Bussmann for interrupting rating and time constant capabilities.

Operating Class: gR

##### Standards/Agency Information

Consult Bussmann [bulehighspeedtechnical@eaton.com](mailto:bulehighspeedtechnical@eaton.com).

##### Catalogue Numbers

Catalogue Numbers	Fuse Type	Rated Voltage	Rated Current (Amps)
NBC-25	NBC	1500Vdc (IEC)	25
NBC-60			60
NBC-70			70
NBC-100			100
NBC-150			150
NBC-200			200

##### Dimensions:

Consult Bussmann [bulehighspeedtechnical@eaton.com](mailto:bulehighspeedtechnical@eaton.com).



## Photovoltaic Fuse Links

10x38mm, PVM Series  
600Vdc (UL), 4 to 30A

### Specifications

#### Description

A range of UL 2579 fast-acting 600Vdc midget fuse links specifically designed to protect solar power systems in extreme ambient temperature, high cycling and low level fault current conditions (reverse current, multi-array fault).

#### Technical Data

Rated Voltage: 600Vdc to UL 2579  
Rated Current: 4-30A  
Breaking Capacity: 50kA DC (4-30A)

#### Standards/Agency Information

UL Listed 2579, Guide JFGA, File E335324, CSA Component Certified C22.2



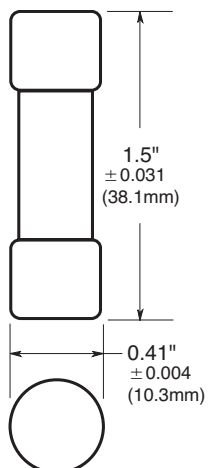
#### Catalogue Numbers

Catalogue Numbers	Rated Current (Amps)	Rated Voltage
PVM-4	4	600Vdc (UL)
PVM-5	5	
PVM-6	6	
PVM-7	7	
PVM-8	8	
PVM-9	9	
PVM-10	10	
PVM-12	12	
PVM-15	15	
PVM-20	20	
PVM-25	25	
PVM-30	30	

#### Power Loss (Watts)

Catalogue Numbers	Rated Current (Amps)	Power Loss (Watts)	
		0.8 x I <sub>n</sub>	1 x I <sub>n</sub>
PVM-10	10	1.04	1.86
PVM-15	15	1	1.72
PVM-30	30	1.65	2.91

#### Dimensions - in (mm)





## Photovoltaic Fuse Links

10x38mm, PV-10F Series  
1000Vdc (IEC/UL), 1 to 20A

### Specifications

#### Description

A range of fuse links in a 10x38mm package specifically designed for the protection and isolation of photovoltaic strings. The fuse links are capable of interrupting low overcurrents associated with faulted PV (reverse current, multi-array fault) string arrays.

#### Technical Data

Rated Voltage: 1000Vdc (IEC/UL)  
Rated Current: 1-6A, 8-15A and 20A  
Breaking Capacity: 50kA

#### Operating Class

gPV and UL PV fuse links

#### Standards/Agency Information

IEC 60269-6, UL Recognised 2579 (File number E335324), CSA, CCC (1-15A), RoHS compliant.



### Catalogue Numbers

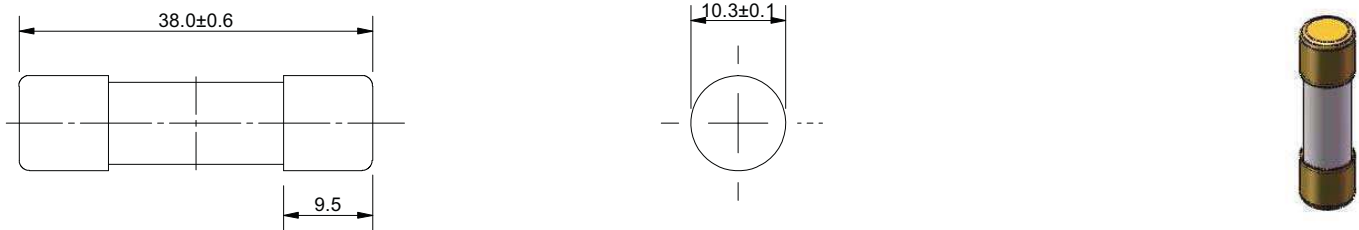
Catalogue Numbers				Rated Current (Amps)	Rated Voltage	I <sup>2</sup> t (A <sup>2</sup> s)		Watts Loss (W)	
Cylindrical	Bolt Fixing	PCB Fixing Single Pin	PCB Fixing Double Pin			Pre-Arcing	Total at 1000V	0.8 I <sub>n</sub>	I <sub>n</sub>
PV-1A10F	PV-1A10-T	PV-1A10-1P	PV-1A10-2P	1	1000Vdc (UL/IEC)	0.15	0.4	0.8	1.5
PV-2A10F	PV-2A10-T	PV-2A10-1P	PV-2A10-2P	2		1.2	3.4	0.6	1.0
PV-3A10F	PV-3A10-T	PV-3A10-1P	PV-3A10-2P	3		4	11	0.8	1.3
PV-3-5A10F	PV-3-5A10-T	PV-3-5A10-1P	PV-3-5A10-2P	3.5		6.6	18	0.9	1.4
PV-4A10F	PV-4A10-T	PV-4A10-1P	PV-4A10-2P	4		9.5	26	1.0	1.5
PV-5A10F	PV-5A10-T	PV-5A10-1P	PV-5A10-2P	5		19	50	1.0	1.6
PV-6A10F	PV-6A10-T	PV-6A10-1P	PV-6A10-2P	6		30	90	1.1	1.8
PV-8A10F	PV-8A10-T	PV-8A10-1P	PV-8A10-2P	8		3	32	1.2	2.1
PV-10A10F	PV-10A10-T	PV-10A10-1P	PV-10A10-2P	10		7	70	1.2	2.3
PV-12A10F	PV-12A10-T	PV-12A10-1P	PV-12A10-2P	12		12	120	1.5	2.7
PV-15A10F	PV-15A10-T	PV-15A10-1P	PV-15A10-2P	15		22	220	1.7	2.9
PV-20A10F	PV-20A10-T	PV-20A10-1P	PV-20A10-2P	20		34	350	2.1	3.6

# Photovoltaic Fuse Links

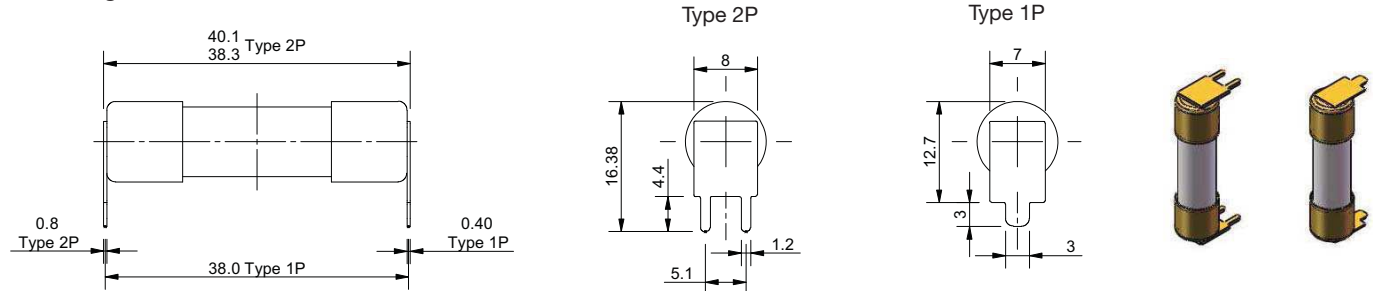
10x38mm, PV-10F Series  
1000Vdc (IEC/UL), 1 to 20A

## Dimensions - mm

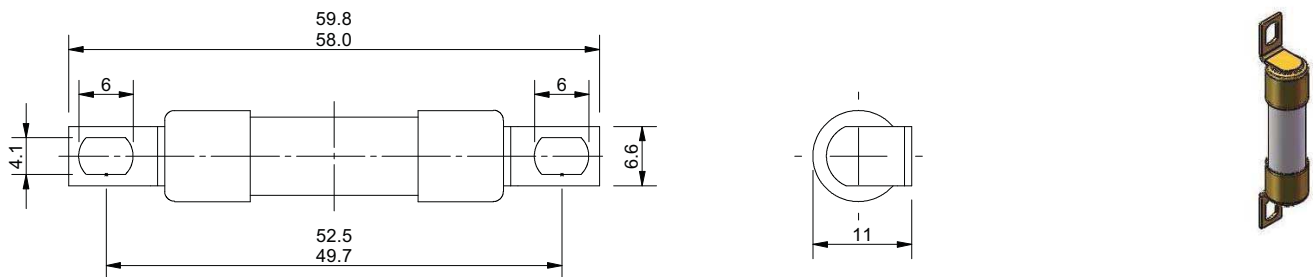
### Cylindrical PV-\*\*A10F



### PCB Fixing PV-\*\*A10-1P



### Bolt Fixing PV-\*\*A10-T



## Photovoltaic Fuse Links

### 14x51mm, PV-14F Series

1000 and 1100Vdc (IEC/UL), 15 to 32A, Solar PV Series

#### Specifications

##### Description

A range of fuse links in a 14x51mm package specifically designed for the protection and isolation of photovoltaic strings. The fuse links are capable of interrupting low overcurrents associated with faulted PV (reverse current, multi-array fault).

##### Technical Data

Rated Voltage: 1100Vdc (IEC and UL, 15 and 20A)  
1000Vdc (IEC and UL, 25 and 32A)

Rated Current: 15 to 32A

Breaking Capacity: 30kA

##### Operating Class:

gPV and UL PV fuse links

##### Standards/Agency Information

IEC 60269-6, UL Recognised 2579 (File number E335324), RoHS compliant

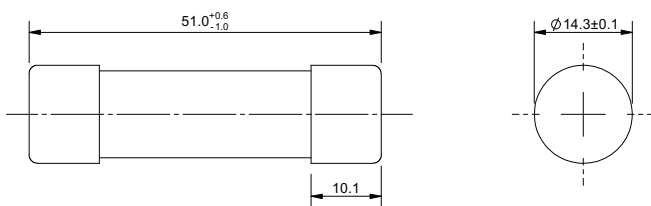
Pending: CCC.

##### Catalogue Numbers

Catalogue Numbers	Rated Current (Amps)	Rated Voltage	I <sup>2</sup> t (A <sup>2</sup> s)		Watts Loss (W)	
			Pre-Arcing	Total at Rated Voltage	0.8 I <sub>n</sub>	I <sub>n</sub>
PV-15A14F	15	1100Vdc (IEC/UL)	14	270	2.1	4
PV-20A14F	20		27	570	2.9	5.5
PV-25A14F	25	1000Vdc (IEC/UL)	65	950	2.8	5.3
PV-32A14F	32		120	1750	4	7.5



#### Dimensions - mm



## Photovoltaic Fuse Links

### 14x65mm, PV-14L Series

1300-1500Vdc (IEC and UL), 15 to 32A, Solar PV Series

#### Specifications

##### Description

A range of fuse links in a 14x65mm package specifically designed for the protection and isolation of photovoltaic strings. The fuse links are capable of interrupting low overcurrents associated with faulted PV (reverse current, multi-array fault).

##### Technical Data

Rated Voltage: 1500Vdc (IEC and UL, 15 and 20A)  
 1 1300Vdc (IEC and UL, 25 and 32A)  
 Rated Current: 15 to 32A  
 Breaking Capacity: 10kA

##### Operating Class:

gPV and UL PV fuse links

##### Standards/Agency Information

IEC 60269-6, UL Recognised 2579 (File number E335324), RoHS compliant,  
 Pending: CCC.

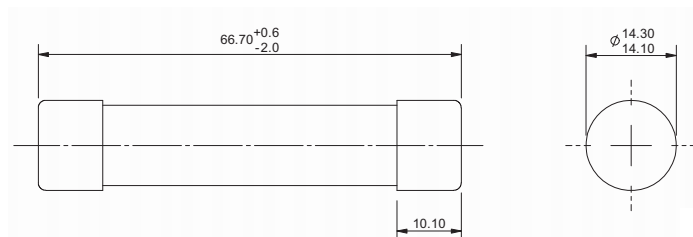


#### Catalogue Numbers

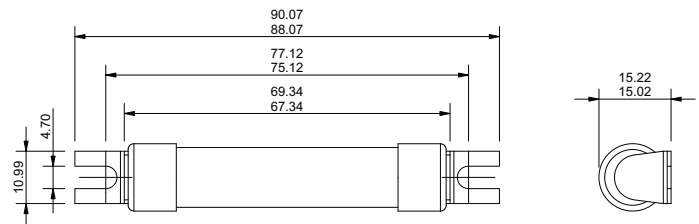
Catalogue Numbers			Rated Current (Amps)	Rated Voltage	I <sup>2</sup> t (A <sup>2</sup> s)		Watts Loss (W)	
Cylindrical	Cylindrical with Tags	Cylindrical with 10mm Fixings			Pre-Arcing	Total at rated voltage	0.8 I <sub>n</sub>	I <sub>n</sub>
PV-15A14LF	PV-15A14L-T	PV-15A14LF10F	15	1500Vdc	14	160	3.2	5.8
PV-20A14LF	PV-20A14L-T	PV-20A14LF10F	20	(IEC/UL)	34	400	3.6	6.5
PV-25A14LF	PV-25A14L-T	PV-25A14LF10F	25	1300Vdc	65	550	4.1	7.5
PV-32A14LF	PV-32A14L-T	PV-32A14LF10F	32	(IEC/UL)	105	900	5.7	10.4

#### Dimensions - mm

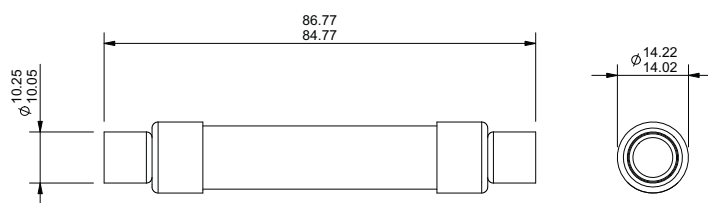
##### Cylindrical PV-(amp rating)A14LF



##### Cylindrical with Tags PV-(amp rating)A14L-T



##### Cylindrical with 10mm Fixings PV-(amp rating)A14LF10F



## Photovoltaic Fuse Links

### NH, PV-ANH1 Series

1000Vdc (IEC/UL), 32 to 400A

#### Specifications

##### Description

A range of NH size bladed fuse links specifically designed for protecting and isolating photovoltaic array combiners and disconnects. These fuse links are capable of interrupting low overcurrents associated with faulted PV systems (reverse current, multi-array fault).

##### Technical Data

Rated Voltage: 1000Vdc (IEC and UL)  
 Rated Current: 32 to 400A  
 Breaking Capacity: 50kA

##### Operating Class

gPV and UL PV fuse links

##### Standards/Agency Information

IEC 60269-6, UL Recognised file 2579 E335324 for size 1 only, RoHS compliant, pending: CCC.



#### Catalogue Numbers

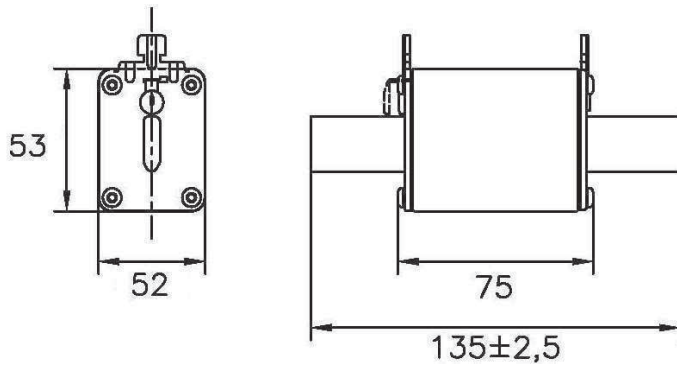
Catalogue Numbers	Fuse link size	Rated Current (Amps)	Rated Voltage	I <sup>2</sup> t (A <sup>2</sup> s)		Watts Loss (W)	
				Pre-Arcing	Total at 1000V	0.8 I <sub>n</sub>	I <sub>n</sub>
PV-32ANH1	NH1	32	1000Vdc (IEC/UL)	80	720	4.3	8.5
PV-40ANH1		40		185	1670	4.6	9
PV-50ANH1		50		400	3600	5.4	11
PV-63ANH1		63		470	4300	6.1	12
PV-80ANH1		80		640	5760	7.9	15.5
PV-100ANH1		100		1300	11,700	8.4	16.5
PV-125ANH1		125		2600	23,400	8.9	17.5
PV-160ANH1		160		5200	46,800	12.2	27.5
PV-200ANH1		200		10,200	82,000	13	25
PV-250ANH2	NH2	250		26,000	129,000	23	38
PV-400ANH3	NH3	400		85,000	420,000	50	50

## Photovoltaic Fuse Links

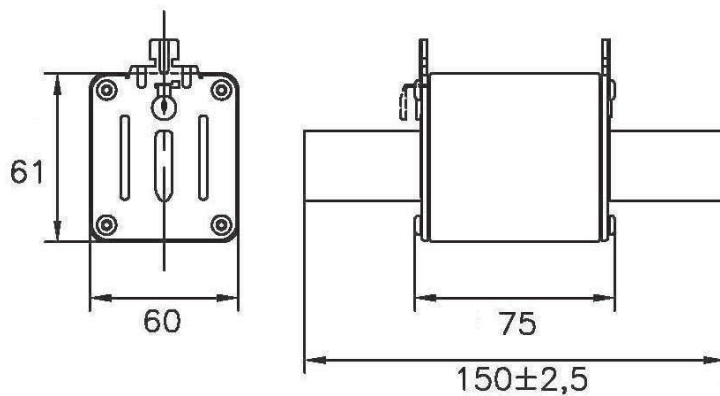
### NH, PV-ANH1 Series

1000Vdc (IEC/UL), 32 to 400A

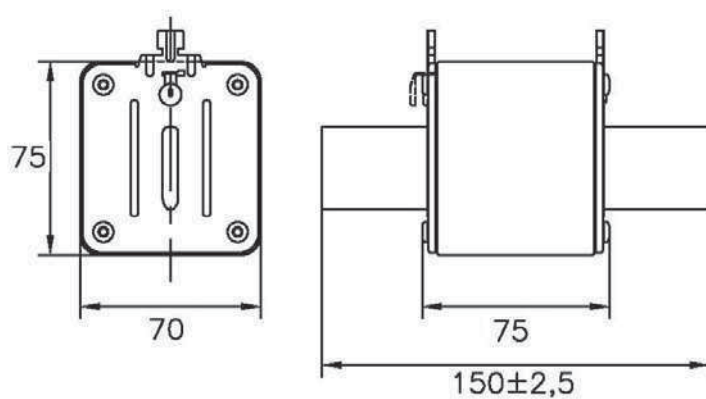
NH Size 1 dimensions - mm



NH Size 2 dimensions - mm



NH Size 3 dimensions - mm



## Photovoltaic Fuse Links

### XL Style, PV-XL Series

1000-1500Vdc (IEC/UL), 50 to 630A

#### Specifications

##### Description

A range of XL package bladed fuse links specifically designed for protecting and isolating photovoltaic array combiners and disconnects. These fuse links are capable of interrupting low overcurrents associated with faulted PV systems (reverse current, multi-array fault).

##### Technical Data

Rated Voltage: 1000Vdc (IEC and UL 63 to 630A)  
1200Vdc (IEC and UL 160A)  
1500Vdc (IEC and UL 50 to 400A)

Rated Current: 50 to 630A

Breaking Capacity:	1000Vdc	Size 01 and 3	50kA
		Size 1 and 2	33kA
	1500Vdc	Size 01 to 3	30kA



##### Operating Class

gPV and UL PV fuse links

##### Standards/Agency Information

IEC 60269-6, UL Recognised file 2579 E335324, RoHS compliant, pending: CCC.

##### Catalogue Numbers - 1000Vdc\*

Catalogue Numbers		Body Size	Rated Current (Amps)	Rated Voltage	I <sup>2</sup> t (A <sup>2</sup> s)		Watts Loss (W)	
Bladed Version	Bolted Version				Pre-Arcing	Total at 1000V	0.8 I <sub>n</sub>	I <sub>n</sub>
PV-63A-01XL	PV-63A-01XL-B	01	63	1000Vdc (IEC/UL)	260	1900	13	24
PV-80A-01XL	PV-80A-01XL-B		80		490	3600	17	29
PV-100A-01XL	PV-100A-01XL-B		100		870	6300	18	32
PV-125A-01XL	PV-125A-01XL-B		125		1930	13,900	20	40
PV-160A-01XL	PV-160A-01XL-B		160		3900	28,100	22	44
PV-200A-1XL	PV-200A-1XL-B	1	200		9400	27,260	31	60
PV-160A-2XL	PV-160A-2XL-B	2	160		2780	21,000	25	44
PV-200A-2XL	PV-200A-2XL-B		200		4950	37,000	28	50
PV-250A-2XL	PV-250A-2XL-B		250		9450	70,000	34	60
PV-315A-2XL	PV-315A-2XL-B		315		16,600	123,000	40	66
PV-355A-2XL	PV-355A-2XL-B		355		26,000	192,000	42	68
PV-350A-3L	PV-350A-3L-B	3	350		31,000	161,200	40	65
PV-400A-3L	PV-400A-3L-B		400		44,500	231,400	48	82
PV-500A-3L	PV-500A-3L-B		500		85,000	442,000	50	85
PV-600A-3L	PV-600A-3L-B		600		137,000	712,400	80	108
PV-630A-3L <sup>1</sup>	PV-630A-3L-B <sup>1</sup>		630 <sup>1</sup>	137,000	712,400	92	118	

<sup>1</sup> 630A Thermally rated to UL only.

## Photovoltaic Fuse Links

### XL Style, PV-XL Series

1000-1500Vdc (IEC/UL), 50 to 630A

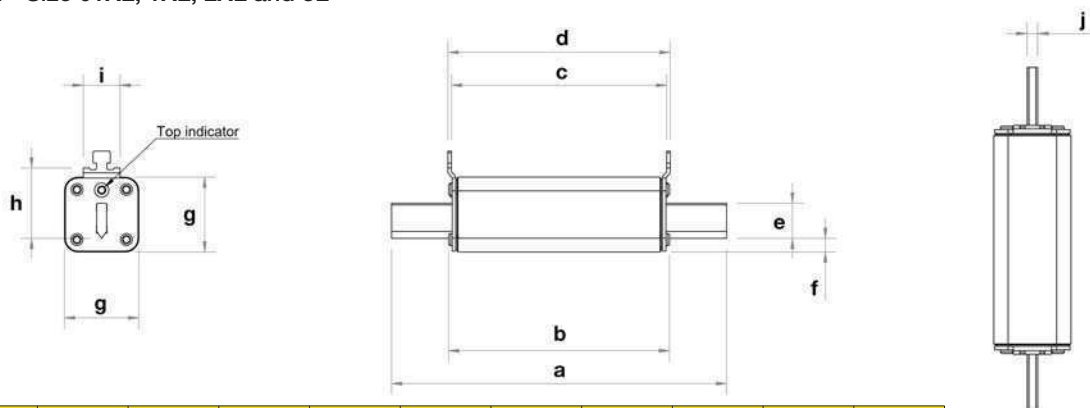
Catalogue Numbers - 1500Vdc\*\*

Catalogue Numbers		Body Size	Rated Current (A)	Rated Voltage	I <sup>2</sup> t (A <sup>2</sup> s)		Watts Loss (W)	
Bladed Version	Bolted Version				Pre-Arcing	Total at 1500Vdc <sup>1</sup>	0.8 I <sub>n</sub>	I <sub>n</sub>
PV-50A-01XL-15	PV-50A-01XL-B-15	01	50	1500Vdc (IEC/UL)	175	1000	14	25
PV-63A-01XL-15	PV-63A-01XL-B-15		63		362	2250	15	26
PV-80A-01XL-15	PV-80A-01XL-B-15		80		565	3300	19	35
PV-100A-01XL-15	PV-100A-01XL-B-15		100		1100	6600	22	40
PV-125A-01XL-15	PV-125A-01XL-B-15		125		2200	10,500	23	42
PV-160A-01XL-12	PV-160A-01XL-B-12		160		1200Vdc (IEC/UL)	5000	24,000 <sup>1</sup>	26
PV-100A-1XL-15	PV-100A-1XL-B-15	1	100	1500Vdc (IEC/UL)	1250	6000	24	43
PV-125A-1XL-15	PV-125A-1XL-B-15		125		1950	9360	25	52
PV-160A-1XL-15	PV-160A-1XL-B-15		160		4200	20,160	30	58
PV-200A-1XL-15	PV-200A-1XL-B-15		200		9400	45,120	31	61
PV-125A-2XL-15	PV-125A-2XL-B-15	2	125		2200	15,000	25	44
PV-160A-2XL-15	PV-160A-2XL-B-15		160		5000	32,000	29	48
PV-200A-2XL-15	PV-200A-2XL-B-15		200		8800	51,000	32	57
PV-250A-2XL-15	PV-250A-2XL-B-15		250		16,600	85,000	40	70
PV-250A-3L-15	PV-250A-3L-B-15	3	250		22,300	92,000	32	50
PV-315A-3L-15	PV-315A-3L-B-15		315		38,000	160,000	36	66
PV-355A-3L-15	PV-355A-3L-B-15		355	44,500	184,000	44	80	
PV-400A-3L-15	PV-400A-3L-B-15		400	58,000	240,000	49	91	

<sup>1</sup>1200Vdc for 160A.

### Dimensions - mm

Bladed - Size 01XL, 1XL, 2XL and 3L



Size	a	b	c	d	e	f	g	h	i	j
01XL	193.8	127.8	124.6	128.6	20	7.9	43	40.4	21.3	5.8
1XL	189.8	127.8	119.6	123.6	20	13.4	51	39.8	20	5.8
2XL	204.5	128.5	119.3	123.3	26	14.4	59.2	47.9	20	5.8
3L	204.9	127.5	118.3	122.3	32.3	18.7	73.5	60	22	6



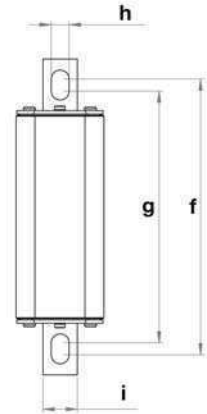
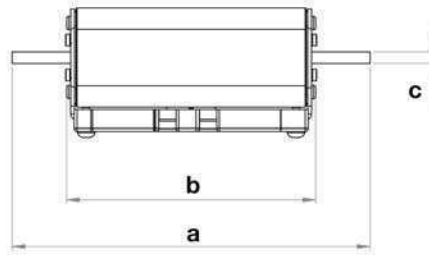
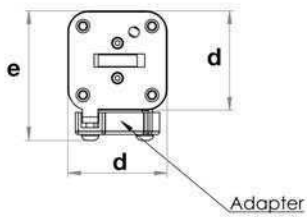
## Photovoltaic Fuse Links

### XL Style, PV-XL Series

1000-1500Vdc (IEC/UL), 50 to 630A

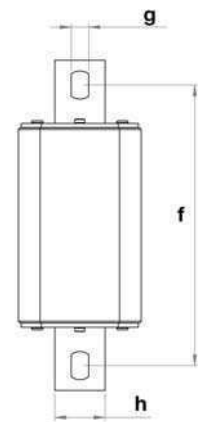
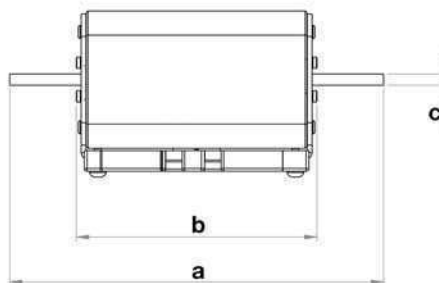
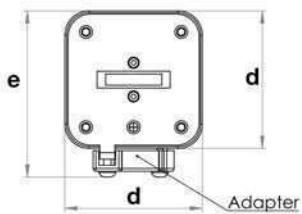
Dimensions - mm

Bolted - Size 01XL, 1XL and 2XL



Size	a	b	c	d	e	f	g	h	i
01XL	187.6	127.8	6	43	58.3	164.3	150.3	10.4	20
1XL	183.6	127.8	6	51	66.3	160.3	146.3	10.4	20
2XL	191.3	128.5	6	59.2	74.5	167.8	154.8	10.5	25

Bolted - Size 3L



Size	a	b	c	d	e	f	g	h
3L	199.7	128.5	6	73.5	88.8	169.7	10.5	30

## Fuse Bases for North American, British and Square Body Fuse Links

### Modular Style

#### Description

Bussmann offers a comprehensive line of fuse bases that provide the user with design and manufacturing flexibility. Two identical half bases make up a Bussmann modular fuse base. These 'split' units can be panel mounted any distance apart to accommodate any length fuse.

#### 1 - Stud Type

The simpler design is the C5268 series modular fuse base. With this design, the fuse terminal and cable (with termination) are mounted on the same stud, minimizing labor needed for installation. The stud type base is available in the configurations shown in the table below.

#### Catalogue Numbers

Catalogue Numbers	Max Fuse Amp Rating	Stud Height (in)	Stud Dia. & Threads
C5268-1	200	1	5/16"-18
C5268-2	200	1.75	5/16"-18
C5268-3	200	0.75	5/16"-18
C5268-4	100	1	1/4"-20
C5268-5	100	1.75	1/4"-20

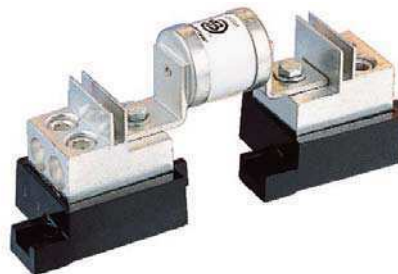


#### 2 - Connector Type

Bussmann also offers a modular style fuse base that utilizes a tin-plated connector for wire termination and heat dissipation) and a plated-steel stud (for fuse mounting). The connector type fuse base is available in the configurations shown below. Consult Bussmann for additional product details.

#### Catalogue Numbers

Catalogue Numbers	Max Voltage	Max Fuse Amp Rating
1BS101	600	100
1BS102	600	400
1BS103	600	400
1BS104	600	600



#### 3 - BH Series

BH fuse blocks provide a wide range of mounting configurations for Bussmann High Speed semi-conductors fuse links. BH fuse blocks have a Short-Circuit Current Rating of any installed fuse up to 200kA RMS Sym.

#### Catalogue Numbers

Catalogue Numbers	Max Voltage	Max Fuse Amp Rating
BH-0	700	100
BH-1	2500	400
BH-2	5000	600
BH-3	1250	700



Data Sheets: 1200 (BH-0), 1201 (BH-1), 1202 (BH-2), 1203 (BH-3), 1206 (1BS101), 1207 (1BS102), 1208 (1BS103), 1209 (1BS104)

## Fuse Bases for Square Body Fuse Links

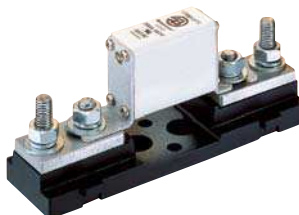
### Fixed Center Fuse Bases for DIN 43653 Fuse Links

#### Description

Fuse bases (blocks) to be used with DIN 43653 square body fuse links with Centre distances of 80 and 110mm. Available for sizes 000, 00, 1\*, 1, 2 and 3.

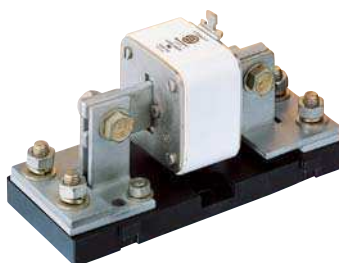
#### Sizes 000 to 0 Fuse Bases

Catalogue Numbers	Max Voltage (Volts)	Max Fuse Amp Rating (Amps)	Centre Distance (mm)	Fuse Sizes
170H1007	1000	400	80	00, 000
170H1013	690	200	80	0000, 000



#### Sizes 1\* to 3

Catalogue Numbers	Max Voltage (Volts)	Max Fuse Amp Rating (Amps)	Centre Distance (mm)
170H3003	1000	630	80
170H3004	1000	1250	80
170H3005	1400	630	110
170H3006	1400	1250	110



The fuse bases rated 1250A can also be used for size 3 fuse links (690V, 1000V and 1250V). Fuse links with higher rated current can be used if the maximum load current is derated according to the table below:

Fuse Amp Rating	Max. Amp Load in Fuse Base
1400	1325
1500	1400
1600	1500
1800	1650
2000	1800

## NH Fuse Bases

1500Vdc (IEC), 250 to 630A, Sizes 1 to 3

### Specifications

#### Description

Sizes 1 to 3 NH Fuse bases specifically designed for use with the Bussmann range of NH PV (Photovoltaic) fuse links.

#### Technical Data

Rated Voltage: 1500Vdc (IEC)  
Rated Current: 250 to 630A

Fuse Base Size: 1 to 3

Compatible Fuse Links: PV-(amps)ANH1, see pages 113-114

#### Standards/Agency Information

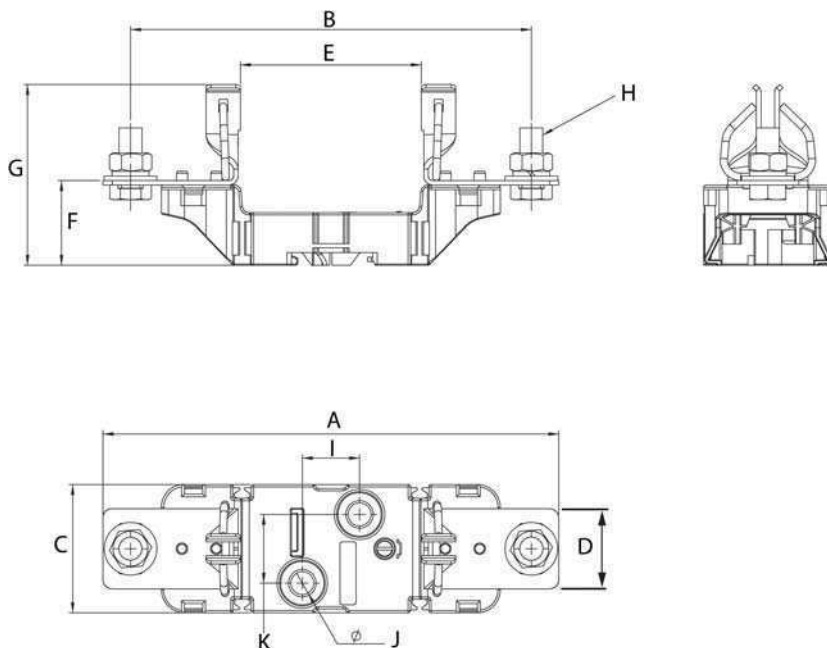
IEC 60269-1

#### Accessories:

Microswitches - 170H0236 or 170H0238, BVL50  
IP20 Finger-Safe Protection Kit - TD1-IP20, TD2-IP20, TD3-IP20



### Dimensions - mm



Catalogue Numbers	Poles/Type	A	B	C	D	E	F	G	H	I	J	K
SD1-D-PV	1-pole	199	175	56	35	79	37	78	M10x25	25	10	30
SD2-D-PV	1 pole	224	199	56	35	79	37.5	86	M10x25	25	10	30
SD3-D-PV	1-pole	239	209	56	36	82	37.5	88	M12x30	25	10	30

## XL Fuse Bases for XL Style Photovoltaic Fuse Links

1500Vdc (IEC), 250 to 630A, Sizes 1 to 3

### Specifications

#### Description

Sizes 1 to 3 NH Fuse bases specifically designed for use with the Bussmann range of NH PV (Photovoltaic) fuse links.

#### Technical Data

Rated Voltage: 1500Vdc (IEC)  
Rated Current: 250 to 630A

Fuse Base Size: 1 to 3

Compatible Fuse Links: PV XL Series see pages 115-117

#### Standards/Agency Information

IEC 60269-1

#### Accessory

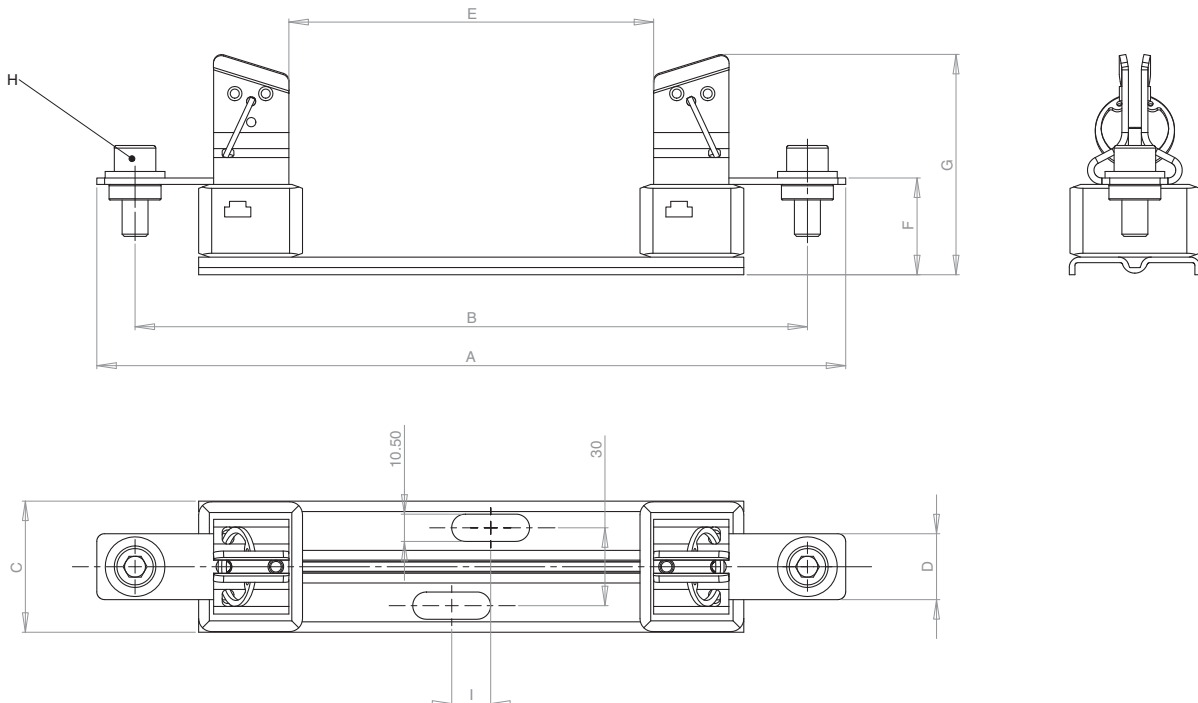
Fuse extraction handle available in sizes 01XL to 3L

Part numbers: FEH1500

Unit packing: 1



### Dimensions - mm



Part Number	XL Style Fuse Link Size	Maximum Fuse Current	Power Acceptance	A	B	C	D	E	F	G	H	I
SD1XL-S	01XL, 1XL	250A	54W	287	257	51	25	140	37	85	M10x25	18
SD2XL-S	2XL	400A	90W	287	257	51	30	140	38	100	M10x30	18
SD3L-S	3L	630A	120W	305	267	69	40	140	40	105	M12x30	25

Data Sheet: 10066

## Fuse Bases for Ferrule Fuse Links

### BM Series

600Vac (UL), 30A

### Specifications

#### Description

Fuse blocks for cylindrical industrial fuse links. Screw mounting fixing.

#### Technical Data

Rated Voltage: 600Vac (UL)  
 Rated Current: 30A (box lug terminal)  
 20A (with quick connector terminal)

Compatible Fuse Links: FWA-A10F, FWC-A10F, PVM and PV-A10F

#### Standards/Agency Information

UL Recognised, UL 512, Guide IZTL2, File 14853 CSA certified, C22.2 No 39, Class-6225-01, File 47235.

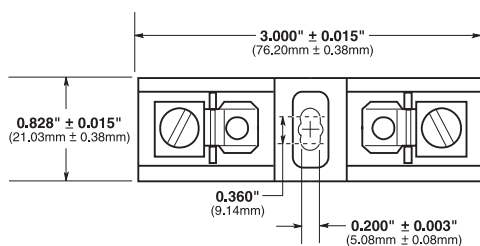
#### Catalogue Numbers

Terminal Type			Fuse Link Size	Number of Poles
Screw w/Quick Connector <sup>1</sup>	Pressure Plate w/Quick Connector <sup>1</sup>	Box Lug		
BM6031SQ	BM6031PQ	BM6031B	10x38mm	1
BM6032SQ	BM6032PQ	BM6032B		2
BM6033SQ	BM6033PQ	BM6033B		3

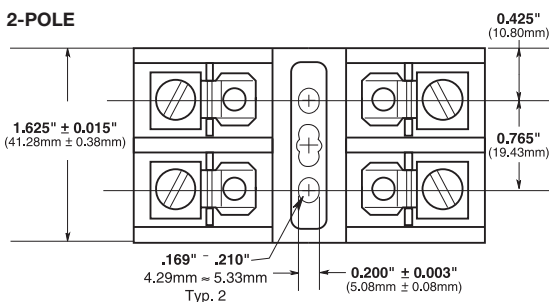
<sup>1</sup> Size which quick connect is 1/4" and is rated at 20A max.

#### Dimensions - in (mm)

##### 1-POLE



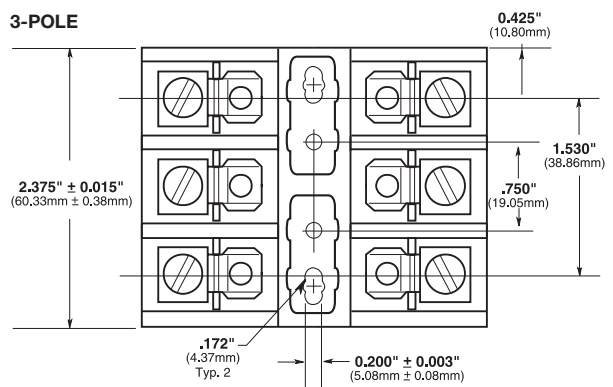
##### 2-POLE



##### FUSEBLOCK LABEL (EXAMPLE SHOWN)



##### 3-POLE



# Fuse Bases for Ferrule Fuse Links

## J70100 Series

700Vac (UL), 100A

### Specifications

#### Description

Fuse blocks for cylindrical industrial fuse links. Screw mounting fixing.

#### Technical Data

Rated Voltage: 700Vac (UL)

Rated Current: 100A

Compatible Fuse Links: FWP-A22F(I) see page 30

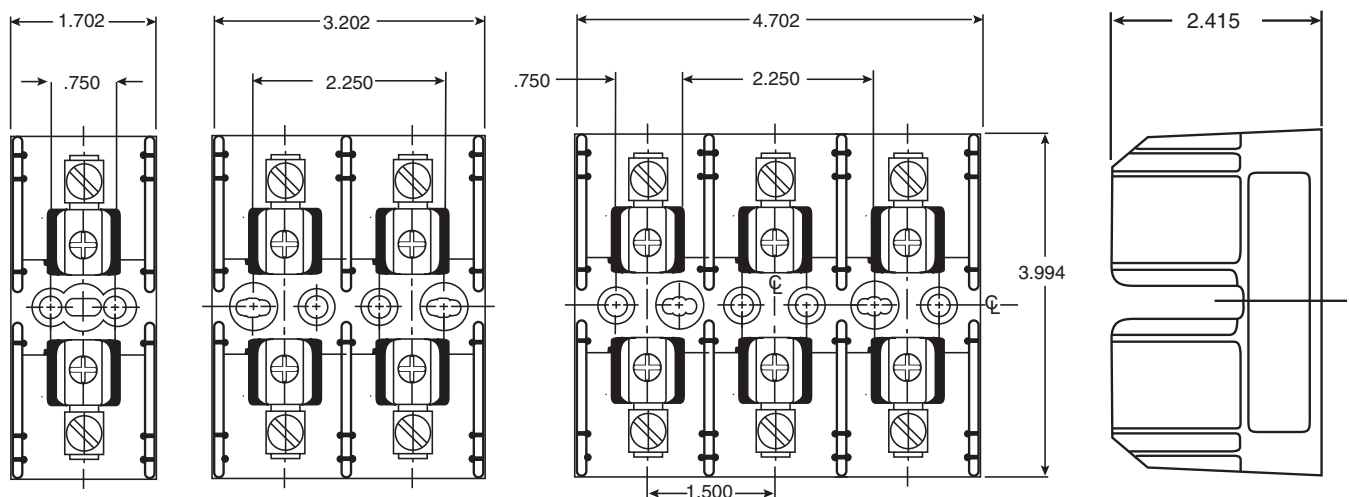
#### Standards/Agency Information

UL Recognised, Guide IZTL2, File 14853.

#### Catalogue Numbers

Terminal Type Screw w/Quick Connector	Fuse Link Size	Number of Poles
J70100-1CR	22x58mm	1
J70100-2CR		2
J70100-3CR		3

#### Dimensions - in



## Modular Fuse Holder

### 10x38mm, CHM Series

#### Specifications

##### Description

Fuse holder for cylindrical industrial fuse links for DIN-Rail mounting. Available with and without light indicator for fuse link operation.

##### Technical Data

Rated Voltage & Current: see tables below

Compatible Fuse Links: see page 109-110

##### Standards/Agency Information

See tables below

##### Catalogue Numbers



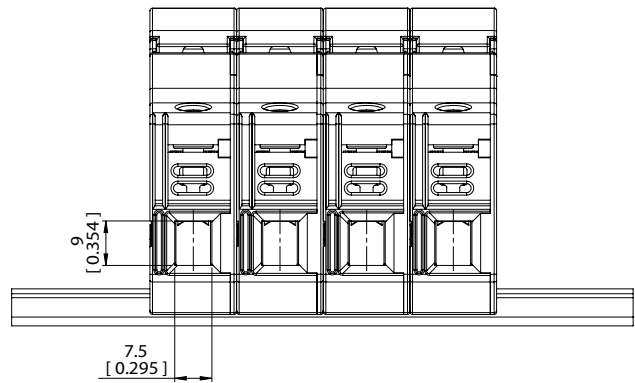
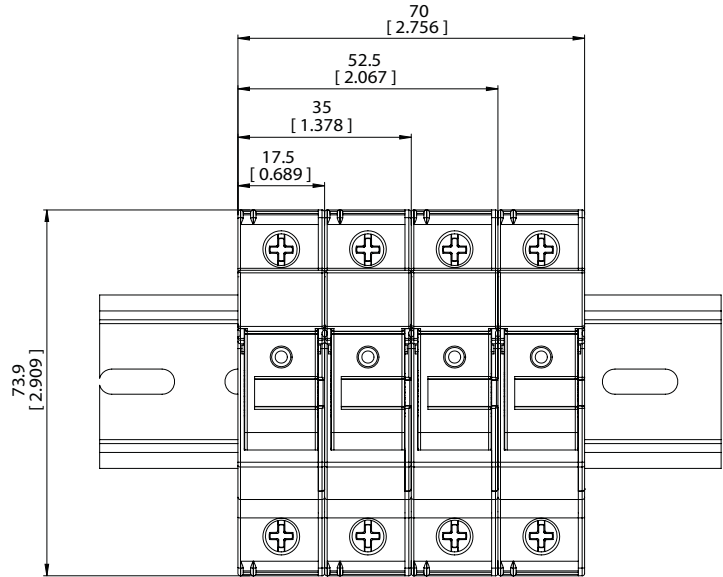
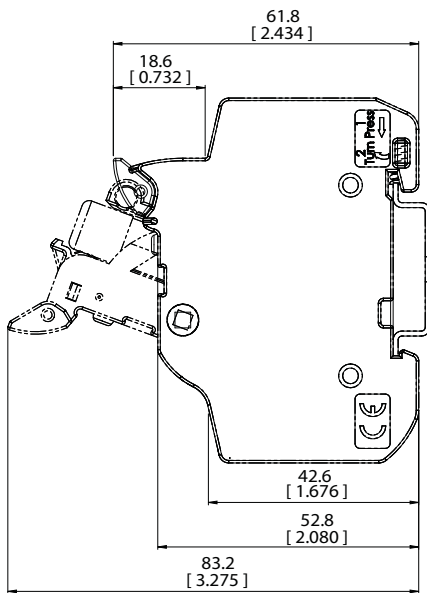
Series & Size	Catalogue Numbers		Rated Voltage & Rated Current	Agency Markings	Number of Poles	Terminal Rating	Rated Breaking Withstand Capacity	Cooper Bussmann Fuse Links	
	With Indicator	Without Indicator							
CHM 10x38 and Midget	CHM1DIU	CHM1DU	IEC 690Vac/32A UL 600Vac/30A;	IEC 60269-2 UR; CSA; CCC	1	IEC: 1 to 25mm <sup>2</sup> 70°C PVC/Copper Cable Solid, Stranded, Fine Stranded, Spade Lug, Comb Bus Bar; Single and Dual	IEC 120kA rms sym UL 200kA rms sym CCC 100kA rms sym	IEC: C10 Series  UL: FNQ, KLM, FNM, KTK, BAF, FWA, PVM, AGU, BAN, FWC.	
	CHM2DIU	CHM2DU			2				
	CHM3DIU	CHM3DU			3				
	CHM4DIU	CHM4DU			4				
	CHM1DNIU	CHM1DNU			IEC 60269-2				1-pole + 1 neutral
	CHM3DNIU	CHM3DNU							3-pole + 1 neutral
	CHM1DI-48U	N/A	IEC 48Vdc/32A UL 48Vdc/30A;	IEC 60269-2; UR; CSA; CCC	1				
N/A	CHM1DNXU	IEC 690Vac/32A	IEC 60269-2	1 neutral		N/A	N/A		
CHPV Photovoltaic	CHPV1IU	CHPV1U	IEC 1000Vdc/32A UL 1000Vdc/30A;	IEC 60269-1 UR; CSA; CCC UL4248-18	1		33kA	Solar PV series, PVM, PV-xxA10F	
	CHPV2IU	CHPV2U			2				
CHCC Class CC	CHCC1DIU	CHCC1DU	UL 600Vac/30A	UL; CSA; CCC	1	Cable 75°C and 90°C Cu cable	200kA rms sym	LP-CC, FNQ-R, KTK-R	
	CHCC2DIU	CHCC2DU			2				
	CHCC3DIU	CHCC3DU			3				
	N/A	CHCC1DI-48U	UL 48Vdc/30A		1				



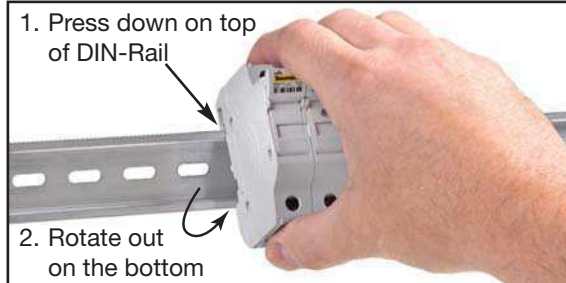
# Modular Fuse Holder

## 10x38mm, CHM Series

Dimensions - mm (in)



### Removing Instructions



# Modular Fuse Holder

## 14x51mm, CH14B Series

### Part Numbers System

New Catalogue Numbers	Number of Poles	Description
<b>Neutral Only</b>		
CH141BNX	1	Neutral fuse holder
<b>Fuse Holder Only</b>		
CH141B	1	1-pole fuse holder
CH142B	2	2-pole fuse holder
CH143B	3	3-pole fuse holder
CH144B	4	4-pole fuse holder
<b>Fuse Holder and Neutral</b>		
CH141BN	2	1-pole + neutral fuse holder
CH143DN	4	3-pole + neutral fuse holder
<b>Fuse Holder with Neon Indicator</b>		
CH141BI	1	1-pole fuse holder with neon indicator
CH142BI	2	2-pole fuse holder with neon indicator
CH143BI	3	3-pole fuse holder with neon indicator
CH144BI	4	4-pole fuse holder with neon indicator
<b>Fuse Holder with Neon Indicator and Neutral</b>		
CH141BNI	2	1-pole + neutral fuse holder with neon indicator
CH143BNI	4	3-pole + neutral fuse holder with neon indicator
<b>Fuse Holder with Microswitch</b>		
CH141BMS	1	1-pole fuse holder with microswitch (fuse operation)
CH141BMS-F	1	1-pole fuse holder with microswitch (pre-breaking/fuse operation/presence)
CH143BMS	3	3-pole fuse holder with microswitch (fuse operation)
CH143BMS-F	3	3-pole fuse holder with microswitch (pre-breaking/fuse operation/presence)
<b>Fuse Holder with Microswitch and Neutral</b>		
CH143BNMS-F	4	3-pole + neutral fuse holder with microswitch (pre-breaking/fuse operation/ presence)
CH143DNMS	4	3-pole + neutral fuse holder with microswitch (fuse operation)

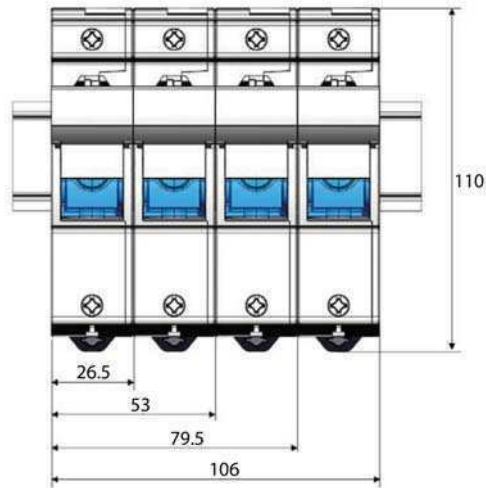
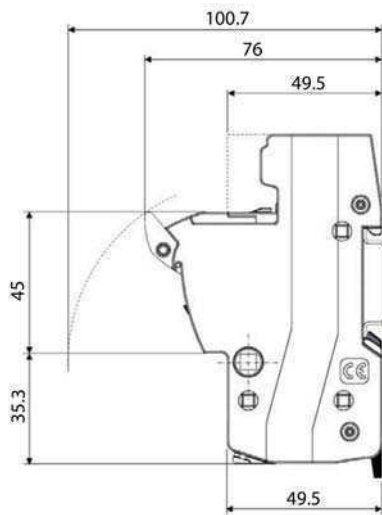
### Accessories

Part Number	Description	Unit Packing
AL-D	Multi-pole ganging clips, one kit will gang up to 4-poles together	12
CH14-P	Multi-pole handle pins, one kit will gang up to 12 handles together	12
CH14-L	Lockout padlock support, it will accept up to 5mm diameter padlock shank	5
CH14-IP20	IP20 protection accessory, provides IP20 protection to terminals with 10mm <sup>2</sup> or less cable	12
CH14-MS1	1-pole microswitch accessory, provides detection of a blown fuse link	5
CH14-MS3	3-pole microswitch accessory, provides detection of a blown fuse link	3

# Modular Fuse Holder

14x51mm, CH14B Series

Dimensions - mm



## Modular Fuse Holder

22x58mm CH22B Series  
600Vac, 125A

### Specifications

#### Description

Compact DIN-Rail mount fuse holders for 22x58mm cylindrical fuse links. Available in different versions with neutral and microswitch.

#### Technical Data

CH22B Series	IEC	UL
Rated Voltage	600Vac	600Vac/dc
Rated Current	125A	100A
SCCR	200kA	200kA



#### Compatible Fuse Links:

FW ferrule fuse links<sup>1</sup>, see table below and page 30

Catalogue Numbers	Maximum Continuous Fuse Current
FWP-20A22F	20
FWP-25A22F	25
FWP-32A22F	32
FWP-40A22F	40
FWP-50A22F	50
FWP-63A22F	58
FWP-80A22F	66
FWP-100A22F	77

<sup>1</sup> Please contact Bussmann Application Engineers if you wish to use a FWP fuse link with a striker option: [buletechnical@eaton.com](mailto:buletechnical@eaton.com).

#### Standards/Agency Information

- IEC 60269-1, 60269-2, 60947-1, 60947-3
- UL Recognised (CH22xB and CH22xBN only)

## Modular Fuse Holder

22x58mm CH22B Series

600Vac, 125A

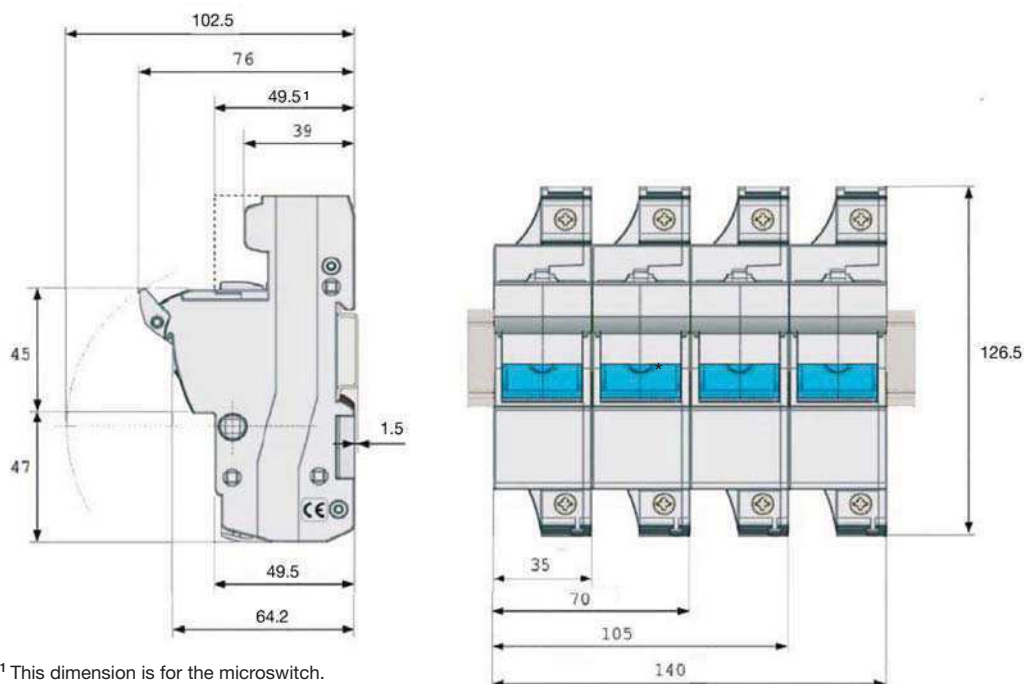
### Part Numbers System

New Catalogue Numbers	Number of Poles	Description
<b>Neutral Only</b>		
CH221BNX	1	Neutral holder
<b>Fuse Holder Only</b>		
CH221B	1	1-pole fuse holder
CH222B	2	2-pole fuse holder
CH223B	3	3-pole fuse holder
CH224B	4	4-pole fuse holder
<b>Fuse Holder and Neutral</b>		
CH221BN	2	1-pole + neutral fuse holder
CH223BN	4	3-pole + neutral fuse holder
<b>Fuse Holder with Microswitch</b>		
CH221BMS	1	1-pole fuse holder with microswitch (fuse operation)
CH223BMS	3	3-pole fuse holder with microswitch (fuse operation)

### Accessories

Part Number	Description	Unit Packing
AL-D	Multi-pole ganging clips, one kit will gang up to 4-poles together	12
CH14-P	Multi-pole handle pins, one kit will gang up to 12 handles together	12
CH22-L	Lockout padlock support, it will accept up to 5mm diameter padlock shank	5
CH22-IP20	IP20 protection accessory, provides IP20 protection to terminals with 10mm <sup>2</sup> or less cable	12
CH22-MS1	1-pole microswitch accessory, for blown fuse link monitoring	5
CH22-MS3	3-pole microswitch accessory, for blown fuse link monitoring	3

### Dimensions - mm



<sup>1</sup> This dimension is for the microswitch.

## Microswitches for Square Body Fuse Links

### Indicator Systems

High Speed square body fuse links are available with three different indicators.

#### 1 - Visual Indicator

The indicator situated in one end plate is clearly visible as soon as the fuse link has operated. The minimum voltage for operating the indicator is 20V.

#### 2 - Type T Indicator

The indicator is situated on one cover plate with a cover plate tag to accommodate an auxiliary switch. The minimum voltage for operating the indicator is 20V. A special low voltage indicator (1.5V) is available on request).

#### 3 - Type K Indicator

The indicator is situated on the fuse link body. It is covered by an adaptor for snap-on mounting of an auxiliary switch. The operating voltage of the indicator is 1.5V. As a matter of safety, the factory mounted adaptor must not be removed from the fuse link.



### Microswitches

#### Specifications

High Speed square body fuse links with either Type T indicator or Type K indicator can be equipped with a microswitch. For remote electrical indication of fuse link operations. All microswitches have one normally open and one normally closed contact.

#### Technical Data

Rated Voltage: 10 - 250Vac

Rated Current: 30mA - 2A

#### Catalogue Numbers

Fuse Size	DIN 43653		DIN 43620		French Style		Flush End		US Style	Terminal Size	
	Type T	Type K	aR	gR and Dual Indication	Type T	Type K	Type T	Type K	Type K	6.3 x 0.8mm Lugs	2.8 x 0.5mm Lugs
000	170H0236		170H0236	170H0236						X	
	170H0238		170H0238	170H0238							X
00	170H0235		170H0236	170H0236			170H0235			X	
	170H0237		170H0238	170H0238			170H0237				X
1*	170H0235	170H0069	170H0235		170H0236	170H0069		170H0069	170H0069	X	
	170H0237		170H0237		170H0238						X
1	170H0235	170H0069	170H0235 <sup>1</sup>	170H0236	170H0236	170H0069		170H0069	170H0069	X	
	170H0237		170H0237 <sup>1</sup>	170H0238	170H0238						X
2	170H0235	170H0069	170H0235	170H0236	170H0236	170H0069		170H0069	170H0069	X	
	170H0237		170H0237	170H0238	170H0238						X
3	170H0235	170H0069	170H0236	170H0236	170H0236	170H0069		170H0069	170H0069	X	
	170H0237		170H0238	170H0236	170H0238						X
4								170H0069		X	
23								170H0069		X	
24								170H0069		X	

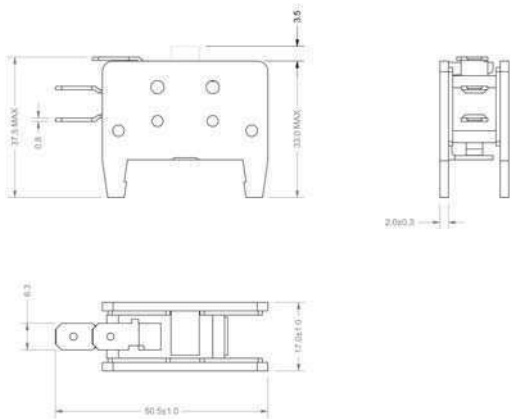
For special microswitches, double microswitches, DC rating of the microswitches, lower/higher signal levels and for insulation voltages please contact Bussmann: [bulehighspeedtechnical@eaton.com](mailto:bulehighspeedtechnical@eaton.com)

<sup>1</sup> DIN2\* (55x55), if DIN2 then use microswitch 170H0236, 170H0238

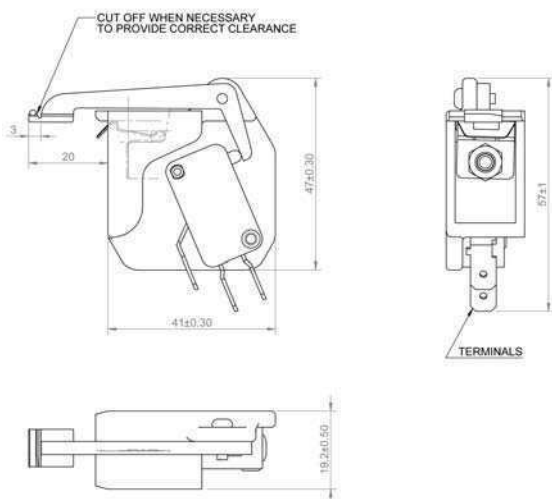
## Microswitches for Square Body Fuse Links

Dimensions - mm

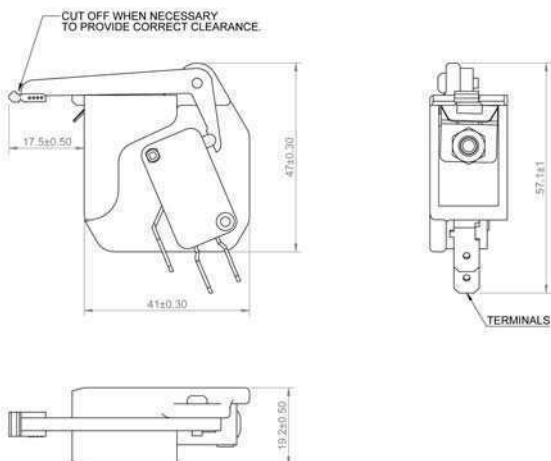
170H0069



170H0235/170H0237



170H0236/170H0238



## Microswitches for British Standard BS88-4 Fuse Links

### Trip Indicator/Microswitches

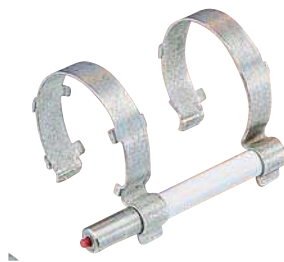
Specifications: Trip-indicator fuse links are available for use in parallel with the main BS88-4 fuse links. They can either be attached to the associated fuse link or mounted separately in panel mounted fuse clips. A push-on adaptor and microswitch attachment is available for use with the trip indicator to give the facility of remote indication.

Fuse ratings of 20A and below cannot usually accommodate a trip fuse link in parallel.

#### Catalogue Numbers

##### Trip Indicator Kit (Indicator + Clips)

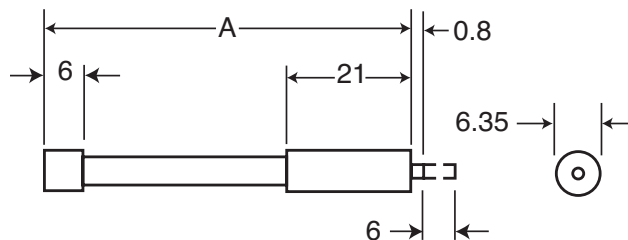
Fuse Type	Catalogue Number
ET	EC-600
EET	EC-600
FE	EC-600
FEE	EC-600
LET	EC-250
FM	MC-600
FMM	MC-600
LMT	MC-250
LMMT	MC-250



##### Indicator Only

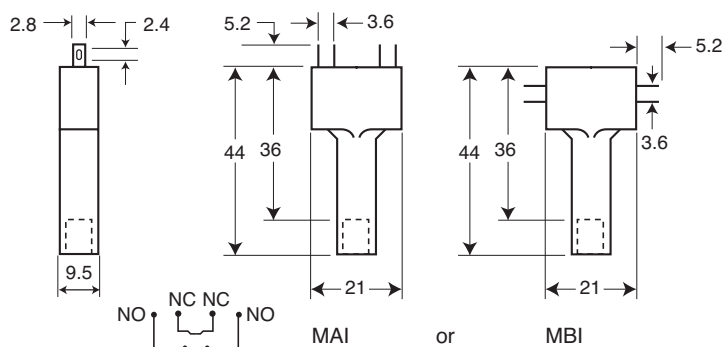
Fuse Type	Rated Current (Vac)	Dim 'A' (mm)
TI250	250	37.6
TI500	500	47.5
TI600	600	55.7
TI700	700	61.8
TI1100	1100	98.4
TI1500	1500	120.8
TI2000	2000	147.5
TI2500	2500	198.3

##### Dimensions - mm



##### Microswitch/Adaptor: MAI and MBI

##### Dimensions - mm





## Index

Part Number	Page	Part Number	Page	Part Number	Page
170E3577 to 170E3581	84-85	170M3158 to 170M3173	37-38	170M5008 to 170M5018	37-38
170E3583 to 170E3587	84-85	170M3188 to 170M3198	42-43	170M5058 to 170M5068	37-38
170E3906 to 170E3912	89	170M3208 to 170M3223	37-38	170M5108 to 170M5118	37-38
170E3914 to 170E3919	97-99	170M3238 to 170M3248	42-43	170M5138 to 170M5150	42-43
170E3922	97-99	170M3258 to 170M3273	37-38	170M5158 to 170M5168	37-38
170E3924 to 170E3932	96	170M3308 to 170M3321	49-50	170M5188 to 170M5200	42-43
170E3933	97-99	170M3358 to 170M3371	49-50	170M5208 to 170M5218	37-38
170E3937 to 170E3945	90-91	170M3388 to 170M3397	62-63	170M5238 to 170M5250	42-43
170E3946	89	170M3408 to 170M3423	58-59	170M5258 to 170M5268	37-38
170E3950 to 170E3956	90-91	170M3438 to 170M3448	62-63	170M5308 to 170M5316	49-50
170E3970	90-91	170M3458 to 170M3473	58-59	170M5358 to 170M5366	49-50
170E3971	89	170M3488 to 170M3497	62-63	170M5388 to 170M5398	62-63
170E3976	90-91	170M3508 to 170M3523	58-59	170M5408 to 170M5418	58-59
170E3977	89	170M3531 to 170M3541	53-54	170M5438 to 170M5448	62-63
170E3982	89	170M3558 to 170M3573	58-59	170M5458 to 170M5468	58-59
170E3984	97-99	170M3608 to 170M3623	51-52	170M5494 to 170M5500	62-63
170E5417 to 170E5418	84-85	170M3658 to 170M3673	51-52	170M5508 to 170M5518	58-59
170E5420 to 170E5421	84-85	170M3688 to 170M3697	55-56	170M5531 to 170M5540	53-54
170E8335 to 170E8337	84-85	170M3708 to 170M3723	51-52	170M5558 to 170M5568	58-59
170E8345 to 170E8347	84-85	170M3738 to 170M3747	55-56	170M5588 to 170M5598	62-63
170E8882 to 170E8888	97-99	170M3758 to 170M3773	51-52	170M5608 to 170M5618	51-52
170E9681	84-85	170M3808D to 170M3819D	46-47	170M5644 to 170M5650	62-63
170E9685	84-85	170M3921 to 170M3931	60-61	170M5658 to 170M5668	51-52
170F8230 to 170F8235	88	170M3951 to 170M3961	60-61	170M5688 to 170M5700	55-56
170H0069	130-131	170M3965 to 170M3975	40-41	170M5708 to 170M5718	51-52
170H0235	130-131	170M3981 to 170M3991	40-41	170M5738 to 170M5750	55-56
170H0236	130-131	170M4008 to 170M4019	37-38	170M5758 to 170M5768	51-52
170H1007	119	170M4058 to 170M4069	37-38	170M5808D to 170M5817D	46-47
170H1013	119	170M4108 to 170M4119	37-38	170M5881 to 170M5889	44-45
170H238	130-131	170M4138 to 170M4147	42-43	170M5922 to 170M5931	60-61
170H3003 to 170H3006	119	170M4158 to 170M4169	37-38	170M5952 to 170M5961	60-61
170M1308 to 170M1322	35-36	170M4176 to 170M4186	44-45	170M5966 to 170M5975	40-41
170M1358 to 170M1372	35-36	170M4188 to 170M4197	42-43	170M5981 to 170M5990	40-41
170M1408 to 170M1422	35-36	170M4208 to 170M4219	37-38	170M6008 to 170M6021	37-38
170M1558D to 170M1572D	46-47	170M4238 to 170M4247	42-43	170M6058 to 170M6071	37-38
170M1730 to 170M1742	77-78	170M4258 to 170M4269	37-38	170M6080 to 170M6087	44-45
170M1750 to 170M1762	77-78	170M4308 to 170M4318	49-50	170M6108 to 170M6121	37-38
170M1770 to 170M1781	77-78	170M4358 to 170M4368	49-50	170M6138 to 170M6151	42-43
170M1785 to 170M1796	77-78	170M4388 to 170M4397	62-63	170M6158 to 170M6171	37-38
170M1802 to 170M1813	79-80	170M4408 to 170M4419	58-59	170M6188 to 170M6201	42-43
170M1824 to 170M1833	79-80	170M4438 to 170M4447	62-63	170M6208 to 170M6221	37-38
170M1842 to 170M1853	79-80	170M4458 to 170M4469	58-59	170M6238 to 170M6251	42-43
170M1860 to 170M1869	79-80	170M4488 to 170M4497	62-63	170M6258 to 170M6271	37-38
170M2000 to 170M2005	81-83	170M4508 to 170M4519	58-59	170M6308 to 170M6319	49-50
170M2010 to 170M2021	81-83	170M4531 to 170M4540	53-54	170M6338 to 170M6349	62-63
170M2039 to 170M2045	92-94	170M4558 to 170M4569	58-59	170M6358 to 170M6369	49-50
170M2046 to 170M2057	92-94	170M4608 to 170M4619	51-52	170M6408 to 170M6421	58-59
170M2090 to 170M2096	95	170M4658 to 170M4669	51-52	170M6458 to 170M6471	58-59
170M2100 to 170M2111	87	170M4688 to 170M4697	55-56	170M6494 to 170M65101	62-63
170M2608 to 170M2621	35-36	170M4708 to 170M4719	51-52	170M6508 to 170M6521	58-59
170M2658 to 170M2671	35-36	170M4738 to 170M4747	55-56	170M6538 to 170M6549	62-63
170M2673 to 170M2685	48	170M4758 to 170M4769	51-52	170M6558 to 170M6571	58-59
170M2691 to 170M2702	44-45	170M4802 to 170M4815	39	170M6588 to 170M6599	62-63
170M2708 to 170M2721	57	170M4822 to 170M4835	39	170M6608 to 170M6621	51-52
170M2758 to 170M2771	57	170M4863D to 170M4867D	46-47	170M6644 to 170M6651	62-63
170M3008 to 170M3023	37-38	170M4921 to 170M4930	60-61	170M6658 to 170M6671	51-52
170M3058 to 170M3073	37-38	170M4951 to 170M4960	60-61	170M6688 to 170M6701	55-56
170M3108 to 170M3123	37-38	170M4965 to 170M4974	40-41	170M6708 to 170M6721	51-52
170M3138 to 170M3148	42-43	170M4980 to 170M4989	40-41	170M6738 to 170M6751	55-56

## Index

Part Number	Page	Part Number	Page	Part Number	Page
170M6758 to 170M6771	51-52	170M8614 to 170M8627	40-41	KBC	12-13
170M6775 to 170M6804	72	170M8629 to 170M8642	40-41	KC36	103
170M6808D to 170M6814D	46-47	1BS1	118	LCT	17-18
170M6815 to 170M6817	72	AL-D	126 & 128	LET	17-18
170M6827 to 170M6829	72	BH	118	LMMT	19
170M6833 to 170M6835	72	BM6031 to BM6033	122	LMT	19
170M6858 to 170M6870	70-71	C5268	118	LRC	101
170M6878 to 170M6890	70-71	CH143DNMS	127-127	MC-250	132
170M6892D	46-47	CH14-IP20	126-127	MC-600	132
170M6898 to 170M6910	70-71	CH14-L	126-127	MMT	22-23
170M6918 to 170M6930	70-71	CH14-MS	126-127	MT	22-23
170M6938 to 170M6950	70-71	CH14-P	126 & 128	NBC	107
170M6958 to 170M6970	70-71	CH14xB	126-127	PV-01XL	115-117
170M7031	66-67	CH22-IP20	129	PV-01XL-B	115-117
170M7034 to 170M7037	66-67	CH22-L	129	PV-1XL	115-117
170M7053	66-67	CH22-MS	129	PV-2XL	115-117
170M7058 to 170M7066	64-65	CH22xB	128-129	PV-2XL-B	115-117
170M7078 to 170M7086	64-65	CHCC	124-125	PV-3L	115-117
170M7090	66-67	CHM	124-125	PV-3L-B	115-117
170M7098 to 170M7106	64-65	CHPV	124-125	PV-A10-1P	109-110
170M7107	68-69	CT	20-21	PV-A10-2P	109-110
170M7118 to 170M7126	64-65	DFJ	76	PV-A10F	109-110
170M7138 to 170M7149	73	EC-250	132	PV-A10-T	109-110
170M7156	66-67	EC-600	132	PV-A14F	111
170M7158 to 170M7169	73	EET	20-21	PV-A14LF	112
170M7198 to 170M7209	73	ET	20-21	PV-A14LF10F	112
170M7217	68-69 & 86	FE	20-21	PV-A14L-T	112
170M7218 to 170M7229	73	FEE	20-21	PV-ANH	113-114
170M7488	74	FM	22-23	PVM	108
170M7498	74	FMM	22-23	RC	104
170M7510 to 170M7513	68-69	FWA-A	7-8	SD3L-S	121
170M7516	68-69	FWA-A10F	24	SD-D-PV	120
170M7532	68-69	FWA-A21F	24	SD-XL-S	121
170M7542	66-67	FWA-AH	6	SF100X	105-106
170M7544	66-67	FWA-B	7-8	SF75X	105-106
170M7546	68-69	FWC-A10F	28	TI	132
170M7548	66-67	FWH-A	10		
170M7567 to 170M7569	74	FWH-A14F	27		
170M7592	68-69	FWH-A6F	26		
170M7595	68-69	FWH-B	10		
170M7597	68-69	FWJ-A	16		
170M7608	74	FWJ-A14F	32		
170M7622	74	FWK-A20F	31 & 100		
170M7633	68-69	FWK-A25F	31 & 100		
170M7636	66-67	FWL-A20F	33 & 102		
170M7639	66-67	FWL-A20FI	33 & 102		
170M7640	66-67	FWP-A	14-15		
170M7658	66-67	FWP-A14F	29		
170M7661	66-67	FWP-A14FI	29		
170M7676	68-69	FWP-A22F	30		
170M7680	74	FWP-A22FI	30		
170M7962	66-67	FWP-B	14-15		
170M7963	66-67	FWS-A20F	34 & 102		
170M7976	68-69	FWS-A20FI	34 & 102		
170M7978	68-69	FWX	9		
170M8500 to 170M8513	60-61	FWX-A14F	25		
170M8531 to 170M8544	53-54	FWX-AH	9		
170M8554D to 170M8557D	46-47	J70100	123		
170M8600 to 170M8613	60-61	KAC	11		

## Customer satisfaction team

Bussmann's Customer Satisfaction Team is available to answer questions regarding Bussmann products.

Europe calls can be made between:

Monday - Thursday 7.30 a.m. - 5.30 p.m. GMT  
Friday 7.30 a.m. - 5.00 p.m. GMT

The Customer Service Satisfaction Team can be reached via:

- Phone: 00 44 (0) 1509 882 600
- Fax: 00 44 (0) 1509 882 786
- Email: bulesales@eaton.com

## C3 customer center

The C3 portal supports the following Divisions: B-Line, Bussmann, Crouse-Hinds, Cooper Lighting, Cooper Power Systems, Cooper Safety, and Cooper Wiring Devices.

Get started today at [www.cooperc3.com](http://www.cooperc3.com) by clicking 'Request User ID and Password'.

- Easy to Navigate
- Simple to Use
- Real-Time Data

## Online resources

Visit [www.bussmann.com](http://www.bussmann.com) for the following resources:

- Product cross reference
- Product profiles
- Online catalogues for the latest United States and European catalogues

## Application engineering

Application Engineering assistance is available to all customers. The Application Engineering team is staffed by university-qualified electrical engineers who are available with technical and application support.

Europe calls can be made between:

Monday - Thursday 8.30 a.m. - 4.30 p.m. GMT  
Friday 8.30 a.m. - 4.00 p.m. GMT

Application Engineering can be reached via:

- Phone: 00 44 (0) 1509 882 699
- Fax: 00 44 (0) 1509 882 794
- Email: buletechnical@eaton.com

Eaton is dedicated to ensuring that reliable, efficient and safe power is available when it's needed most. With unparalleled knowledge of electrical power management across industries, experts at Eaton deliver customised, integrated solutions to solve our customers' most critical challenges.

Our focus is on delivering the right solution for the application. But, decision makers demand more than just innovative products. They turn to Eaton for an unwavering commitment to personal support that makes customer success a top priority.

For more information, visit [www.eaton.com/electrical](http://www.eaton.com/electrical)

Eaton  
Cooper Bussmann (UK) Ltd  
Melton Road  
Burton-on-the-Wolds  
LE12 5TH  
Leicestershire  
United Kingdom

Eaton Industries Manufacturing GmbH  
EMEA Headquarters  
Route de la Longeraie  
1110 Morges  
Switzerland  
Eaton.eu

© 2013 Eaton Industries  
All rights reserved  
Printed in the United Kingdom  
Publication No.CA081004EN  
November 2013

Changes to the products, to the information contained in this document, and to prices are reserved; so are errors and omissions. Only order confirmations and technical documentation by Eaton is binding. Photos and pictures also do not warrant a specific layout or functionality. Their use in whatever form is subject to prior approval by Eaton. The same applies to Trademarks (especially Eaton, Moeller, and Cutler-Hammer). The Terms and Conditions of Eaton apply, as referenced on Eaton Internet pages and Eaton order confirmations.

Eaton is a registered trademark.

All other trademarks are property of their respective owners.