

22x58mm Modular Fuse Holder

RoHS



1-Pole



3-Pole



1-Pole with microswitch

Catalogue Symbol:

CH22(# of poles)**B**: standard fuse holder

CH22(# of poles)**BN**: standard fuse holder and neutral

CH22(# of poles)**BMS**: fuse holder with microswitch (fuse operation)

Compatible Fuse Links:

C22G and C22M 22x58mm fuse links

FW ferrule fuse links*, see table below

Part Number	Maximum Continuous Fuse Current
FWP-20A22F	20
FWP-25A22F	25
FWP-32A22F	32
FWP-40A22F	40
FWP-50A22F	50
FWP-63A22F	58
FWP-80A22F	66
FWP-100A22F	77

*Please contact Cooper Bussmann Application Engineers if you wish to use a FWP fuse link with a striker option.

Standards/Certifications:

- IEC 60269-1, 60269-2, 60947-1, 60947-3
- UL Recognised (CH22xB and CH22xBN only)

Description: Compact DIN-Rail mount fuse holders for 22x58mm cylindrical fuse links. Available in different versions with neutral and microswitch.

Packaging: 1-pole: 6 per pack
2-pole: 3 per pack
3-pole: 2 per pack
4-pole: 1 per pack

Technical Data:

Number of Poles: 1 to 4

CH22B Series	IEC	UL
Rated Voltage	690Vac	750Vac
Rated Current	125A	100A
SCCR	200kA	200kA

Microswitch	IEC	UL
Rated Voltage	250Vac	250Vac
Rated Current	5A	5A

Rated Power Acceptance: 9.5W

Utilisation Category: 125A at AC-21B 690V

Pollution Degree: 3

Protection Index: IP20 Finger-safe*

Rated Insulation Voltage: 8kV U_{imp}

Conductors (Cu only): 1.5-35mm² stranded

1.5-50mm² solid

14-1 AWG solid cable, Cu only

Maximum Torque: 4N•m

Operating Temperature Range: -20°C to 70°C

Storage Temperature Range: -40°C to 80°C

Mounting: 35mm DIN-Rail

* Requires using protection accessory CH22-IP20 and 10mm² or less conductors.

Environmental

- RoHS compliant

Features

- Silver-plated copper contacts
- Engineered polymer enables greater performance with melting temperature in excess of 300°C
- Ventilation zones optimized for a better heat dissipation
- Accessory to isolate the fuse holder via a padlock
- IP20 security accessory to improve protection
- Label holder for easy circuit identification

22x58mm Modular Fuse Holder



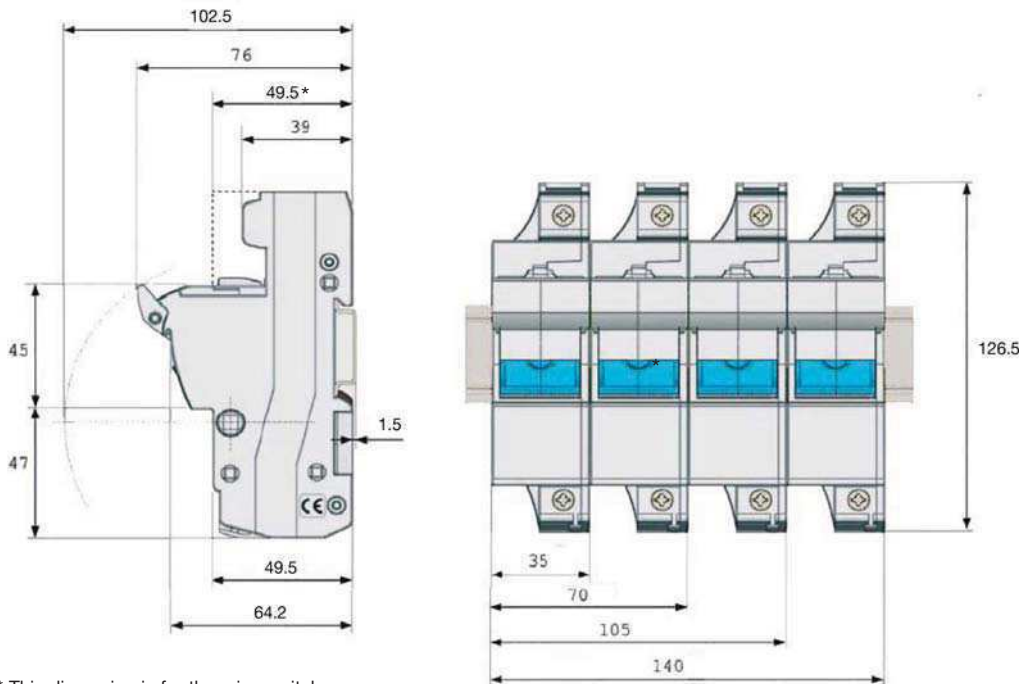
Part Numbers System

Old Part Number	New Part Number	Number of Poles	Description
Neutral Only			
CH221DNX	CH221BNX	1	Neutral holder
Fuse Holder Only			
CH221D	CH221B	1	1-pole fuse holder
CH222D	CH222B	2	2-pole fuse holder
CH223D	CH223B	3	3-pole fuse holder
CH224D	CH224B	4	4-pole fuse holder
Fuse Holder and Neutral			
CH221DN	CH221BN	2	1-pole + neutral fuse holder
CH223DN	CH223BN	4	3-pole + neutral fuse holder
Fuse Holder with Microswitch			
CH221DMS	CH221BMS	1	1-pole fuse holder with microswitch (fuse operation)
CH223DMS	CH223BMS	3	3-pole fuse holder with microswitch (fuse operation)

Accessories

Part Number	Description	Unit Packing
AL-D	Multi-pole ganging clips, one kit will gang up to 4-poles together	12
CH14-HP	Multi-pole handle pins, one kit will gang up to 12 handles together	12
CH22-L	Lockout padlock support, it will accept up to 5mm diameter padlock shank	5
CH22-IP20	IP20 protection accessory, provides IP20 protection to terminals with 10mm ² or less cable	12
CH22-MS1	1-pole microswitch accessory, for blown fuse link monitoring	5
CH22-MS3	3-pole microswitch accessory, for blown fuse link monitoring	3

Dimensions (mm)



* This dimension is for the microswitch