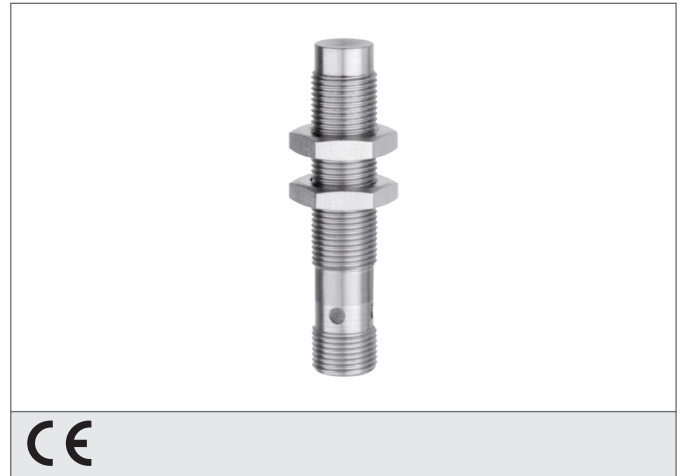


D7C 12 V 10 NSK-IBSL

Inductive Proximity Switch

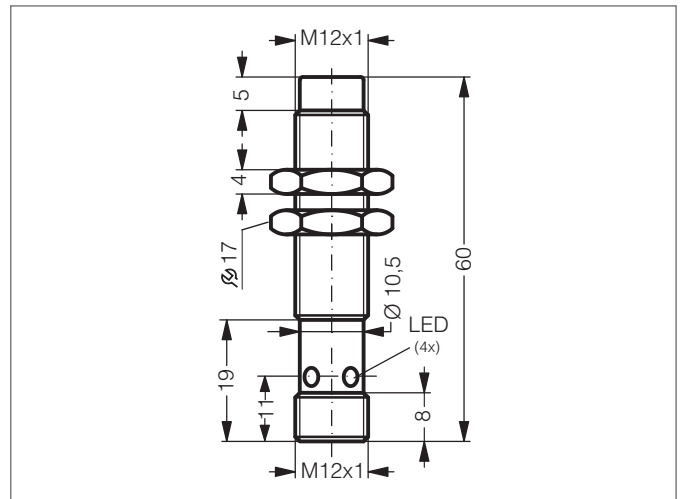
- One-piece stainless steel housing
- 3-times the standard operating distance
- Same operating distance to steel and aluminium
- Housing and sensing face made of stainless steel
- Insensitive to cleaning agents, environmental influences and hot chips
- Metal plug
- Integrated amplifier
- Short-circuit protection
- Starting pulse suppression
- LED



Safety instructions

The Instruments are not to be used for safety applications, in particular applications in which safety of persons depends on proper operation of the instruments.

These instruments shall exclusively be used by qualified personnel.



TECHNICAL INFORMATION (typ.)		+20°C, 24V DC
Operating principle		Inductive
Evaluation		digital
Size		M12 x 1 (thread)
Design		screw
Mounting		non-flush
Characteristics		extremely high operating distance, up to 80 bar, All stainless steel housing, pressure resistant
Operating distance		10 mm
Standardized measuring plate		30 x 30 x 1 mm
Service voltage		10 ... 30 V DC
Internal power consumption		< 12 mA
Switching output		npn, 200 mA, NO
Switching hysteresis		< 15 %, typ. 5 %
Voltage drop		< 2,0 V
Switching frequency		400 Hz
Ambient temperature		-25 ... +70 °C
Insulation voltage endurance		500 V
Protection class		IP 68
Casing material		stainless steel
Connection		Connector, M12, 3-poled