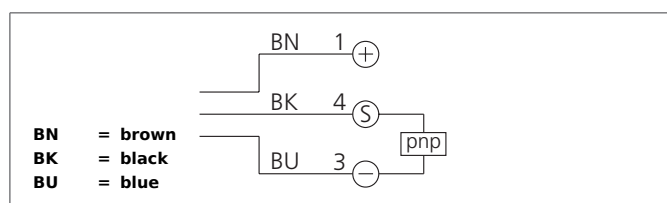


D7C 30 V 20 PSK-IBSL Inductive Proximity Switch

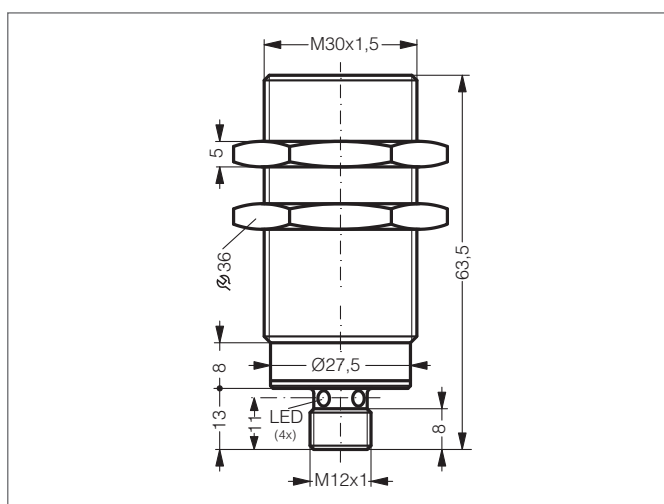
- One-piece stainless steel housing
- 3-times the standard operating distance
- Same operating distance to steel and aluminium
- Housing and sensing face made of stainless steel
- Insensitive to cleaning agents, environmental influences and hot chips
- Metal plug
- Integrated amplifier
- Short-circuit protection
- Starting pulse suppression
- LED



Safety instructions

The Instruments are not to be used for safety applications, in particular applications in which safety of persons depends on proper operation of the instruments.

These instruments shall exclusively be used by qualified personnel.



TECHNICAL INFORMATION (typ.)	+20°C, 24V DC
Operating principle	Inductive
Evaluation	digital
Size	M30 x 1,5 (thread)
Design	screw
Mounting	flush
Characteristics	extremely high operating distance, up to 40 bar, All stainless steel housing
Operating distance	20 mm
Standardized measuring plate	60 x 60 x 1 mm
Service voltage	10 ... 30 V DC
Internal power consumption	< 12 mA
Switching output	pnp, 200 mA, NO
Switching hysteresis	< 15 %, typ. 5 %
Voltage drop	< 2,0 V
Switching frequency	100 Hz
Ambient temperature	-25 ... +70 °C
Insulation voltage endurance	500 V
Protection class	IP 68
Casing material	stainless steel
Connection	Connector, M12, 3-poled