

# D7C 30 V 40 PSLK

## Inductive Proximity Switch

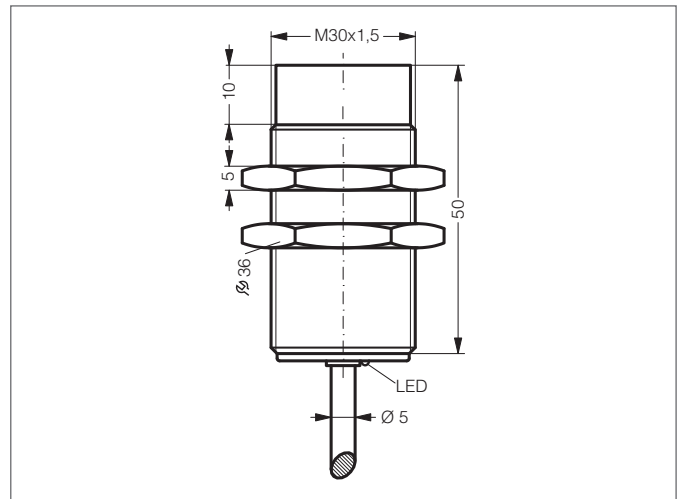
- One-piece stainless steel housing
- 3-times the standard operating distance
- Same operating distance to steel and aluminium
- Housing and sensing face made of stainless steel
- Insensitive to cleaning agents, environmental influences and hot chips
- Cable, highly flexible
- Integrated amplifier
- Short-circuit protection
- Starting pulse suppression
- LED



### Safety instructions

The Instruments are not to be used for safety applications, in particular applications in which safety of persons depends on proper operation of the instruments.

These instruments shall exclusively be used by qualified personnel.



| TECHNICAL INFORMATION (typ.) | +20°C, 24V DC  |
|------------------------------|--|
| Operating principle          | Inductive  |
| Evaluation                   | digital  |
| Size                         | M30 x 1,5 (thread)   |
| Design                       | screw  |
| Mounting                     | non-flush  |
| Characteristics              | extremely high operating distance, up to 40 bar, All stainless steel housing |
| Operating distance           | 40 mm  |
| Standardized measuring plate | 120 x 120 x 1 mm   |
| Service voltage              | 10 ... 30 V DC   |
| Internal power consumption   | < 12 mA  |
| Switching output             | pnp, 200 mA, NO  |
| Switching hysteresis         | < 15 %, typ. 5 %   |
| Voltage drop                 | < 2,0 V  |
| Switching frequency          | 100 Hz   |
| Ambient temperature          | -25 ... +70 °C   |
| Insulation voltage endurance | 500 V  |
| Protection class             | IP 69K   |
| Casing material              | stainless steel  |
| Connection                   | cable PUR, 2 m   |