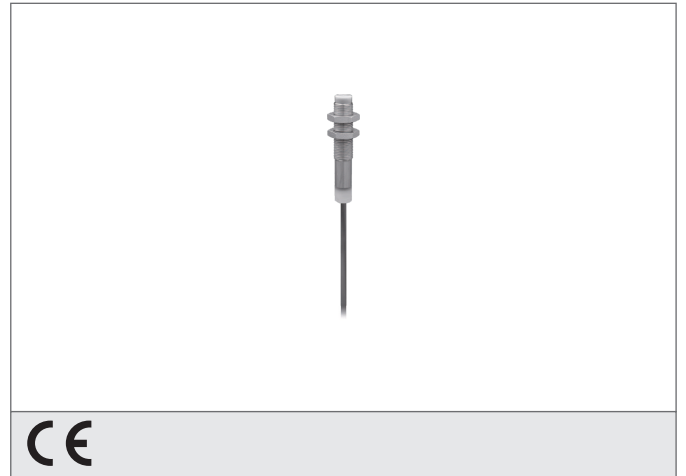


## DCE 12 VH 04 PSK Inductive Proximity Switch

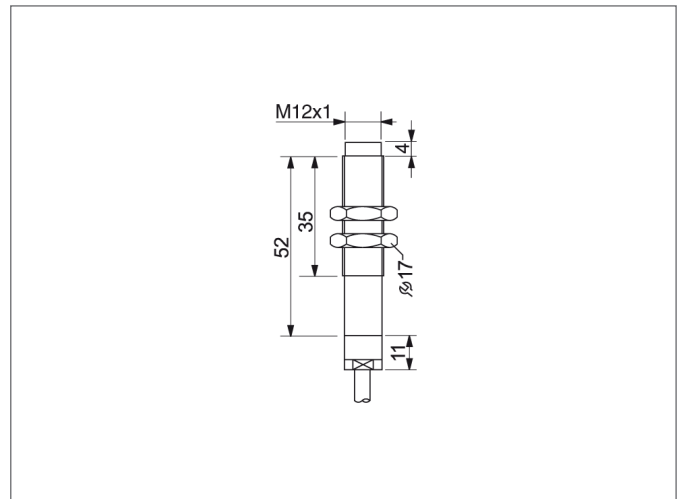
- Climatic cycle resistant version up to 120 °C permanent temperature and pressure resistant up to 10 bar
- Stainless steel casing
- Sensing surface PTFE
- Cable, highly flexible
- Integrated amplifier
- Short-circuit protection
- Starting pulse suppression



### Safety instructions

The Instruments are not to be used for safety applications, in particular applications in which safety of persons depends on proper operation of the instruments.

These instruments shall exclusively be used by qualified personnel.



TECHNICAL INFORMATION (typ.)	+20°C, 24V DC
Operating principle	Inductive
Evaluation	digital
Size	M12 x 1 (thread)
Design	screw
Mounting	non-flush
Characteristics	up to 120° and 10 bar, high-temperature resistant and pressure resistant
Operating distance	4 mm
Standardized measuring plate	12 x 12 x 1 mm
Service voltage	10 ... 33 V DC
Internal power consumption	< 4 mA
Switching output	pnp, 200 mA, NO
Switching hysteresis	< 10 %
Voltage drop	< 2,0 V
Switching frequency	200 Hz
Ambient temperature	-25 ... +120 °C
Insulation voltage endurance	500 V
Protection class	IP 68
Casing material	stainless steel, plastics V4A, (1.4571 / AISI 316Ti), (PTFE)
Connection	cable PTFE, 2 m