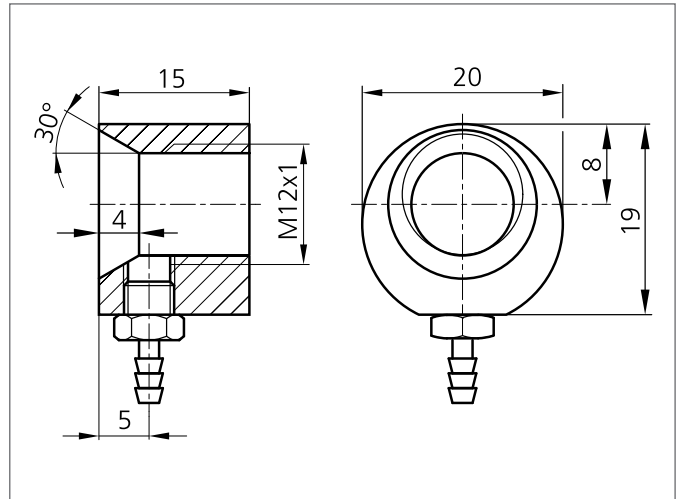


ISO 12 Cleaning air nozzle

- For cleaning the receiver optics from accumulations and dirt
- By means of an M5 tube-adaption easy pneumatic connection



TECHNICAL INFORMATION (typ.)

For

+20°C, 24V DC

high performance photoelectric sensors M12x1

Casing material

metal