

KDC 50 K 25 PNSOLK

Capacitive Proximity Switch

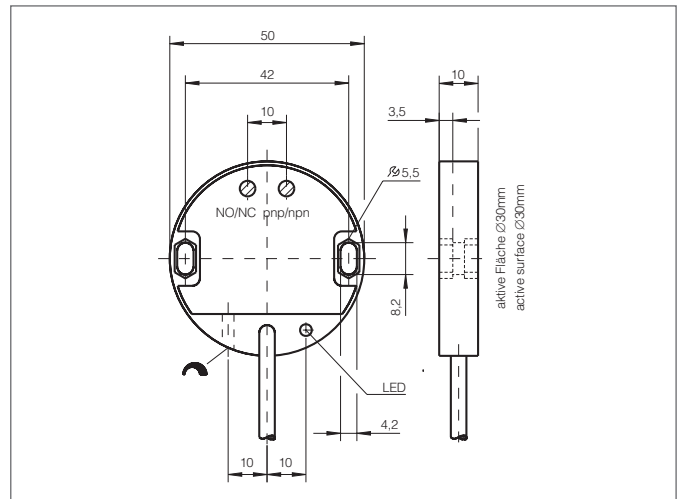
- Detection of electrically conductive and non-conductive materials
- Detection of liquids, powdery and solid materials
- Detection possible even through containers and packages
- Sensitivity adjustable
- Cable, highly flexible
- Integrated amplifier
- Short-circuit protection
- Starting pulse suppression
- LED



Safety instructions

The Instruments are not to be used for safety applications, in particular applications in which safety of persons depends on proper operation of the instruments.

These instruments shall exclusively be used by qualified personnel.



TECHNICAL INFORMATION (typ.)	+20°C, 24V DC
Operating principle	Capacitive
Evaluation	digital
Size	Ø 50 mm (Diameter)
Design	cylinder
Mounting	flush
Operating distance	2 ... 25 mm adjustable
Standardized measuring plate	75 x 75 x 1 mm
Service voltage	10 ... 30 V DC
Internal power consumption	< 15 mA
Sensitivity adjustment	potentiometer
Switching output	pnp/npn, 150 mA, NO/NC, switchable
Switching hysteresis	3 ... 20 %
Voltage drop	< 2,0 V
Switching frequency	50 Hz
Ambient temperature	-30 ... +70 °C
Insulation voltage endurance	500 V
Protection class	IP 67
Casing material	plastics
Connection	cable PUR, 2 m