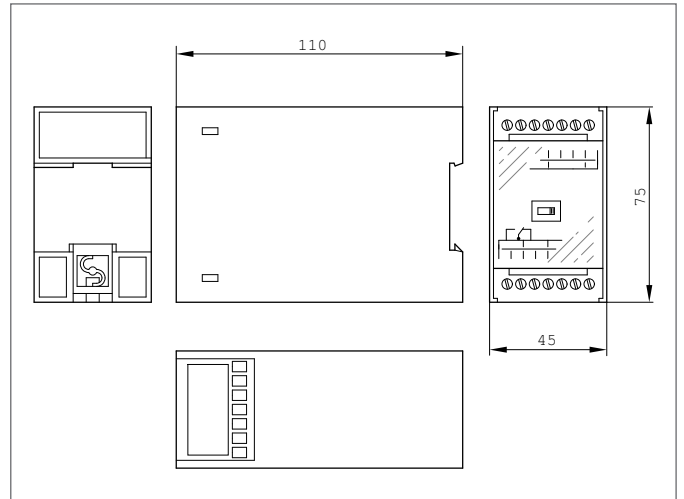
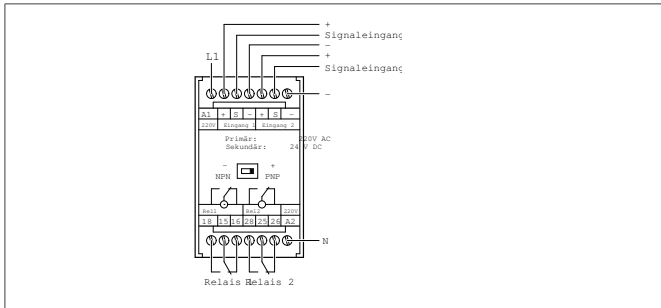


NSP-2001

Power supply

- Stabilized voltage supply
- DC output, permanently short circuit proof
- 2-LED display for the switch contact state
- 2 pnp or npn input, switchable



Safety instructions

The Instruments are not to be used for safety applications, in particular applications in which safety of persons depends on proper operation of the instruments.
These instruments shall exclusively be used by qualified personnel.

TECHNICAL INFORMATION (typ.)

Maximum rating	200 mA, in all
Output voltage	2 x 24 V DC
Contact rating	250 V AC, 1.0 A / 125 V AC, 10 A (relay)
Display	LED: red - relay at work
Switching frequency	10 Hz
Ambient temperature	0 ... +50 °C
Protection class	IP 20
Casing material	plastics
Connection	clamps, up to 2,5 mm ²
Supply voltage	230 V AC, ± 10 %, 50/60 Hz