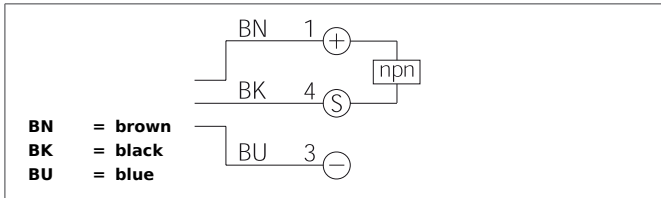


ODG 30 N3K-TSSL

Differential Fork Light Barrier

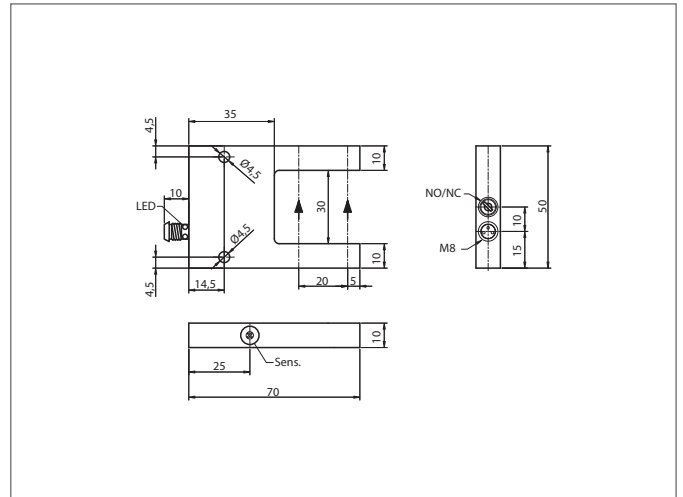
- High resolution
- Metal casing
- Integrated electronic module
- Differential evaluation
- Sensitivity adjustable
- High operating frequency
- Light / dark switching
- Bright ring LED
- 5-year warranty



Safety instructions

The Instruments are not to be used for safety applications, in particular applications in which safety of persons depends on proper operation of the instruments.

These instruments shall exclusively be used by qualified personnel.



TECHNICAL INFORMATION (typ.)	+20°C, 24V DC
Operating principle	Optical
Evaluation	digital, difference
Size	50 x 70 x 10 mm (Dimensions)
Design	fork
Fork opening	30 mm
Branch length	35 mm
Emitted light	Infrared, non-clocked
Service voltage	12 ... 35 V DC
Internal power consumption	< 35 mA
Resolution	70 µm
Sensitivity adjustment	potentiometer
Switching output	npn, 200 mA, NO/NC, switchable
Switching hysteresis	< 0,2 mm
Voltage drop	2,5 V
Switching frequency	5.000 Hz
Reproducibility	0,01 mm
Ambient temperature	0 ... +60 °C
Ambient light immunity	5 kLx
Insulation voltage endurance	500 V
Protection class	IP 67
Protection degree	III, operation on protective low voltage
Casing material	Aluminium black anodized
Connection	Connector, M8, 3-poled

ODG 30 N3K-TSSL
Differential Fork Light Barrier



TECHNICAL INFORMATION (typ.)	+20°C, 24V DC
Connecting cable	TK ...