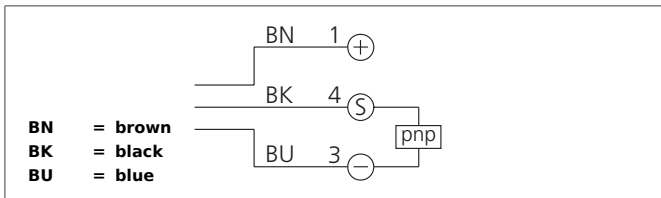


OGU 50 P2-TSSL

Fork Light Barrier

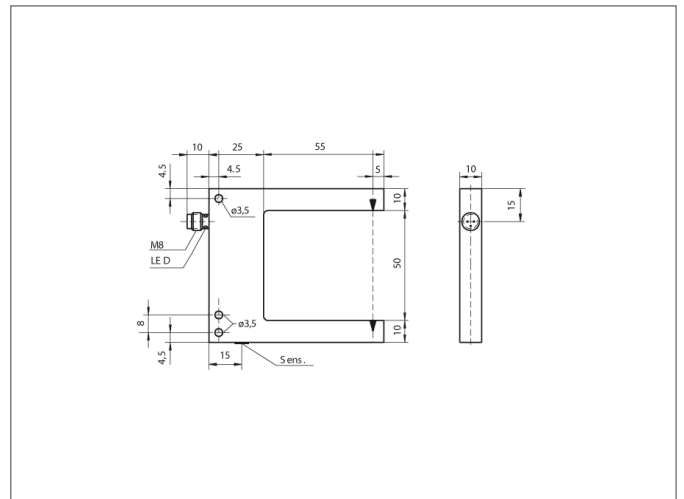
- Metal casing
- Integrated electronic module
- Sensitivity adjustable
- High operating frequency
- Dark switching
- Bright ring LED
- High protection class
- 5-year warranty



Safety instructions

The Instruments are not to be used for safety applications, in particular applications in which safety of persons depends on proper operation of the instruments.

These instruments shall exclusively be used by qualified personnel.



TECHNICAL INFORMATION (typ.)	+20°C, 24V DC
Operating principle	Optical
Evaluation	digital
Size	70 x 80 x 10 mm (Dimensions)
Design	fork
Fork opening	50 mm
Branch length	55 mm
Emitted light	Infrared, non-clocked
Service voltage	10 ... 30 V DC
Internal power consumption	< 35 mA
Resolution	Ø 1,5 mm
Sensitivity adjustment	potentiometer
Switching output	pnp, 200 mA, NO
Switching hysteresis	< 0,3 mm
Voltage drop	2,8 V
Switching frequency	10.000 Hz
Reproducibility	0,02 mm
Ambient temperature	-10 ... +60 °C
Insulation voltage endurance	500 V
Protection class	IP 67
Protection degree	III, operation on protective low voltage
Casing material	Aluminium black anodized
Connection	Connector, M8, 3-poled