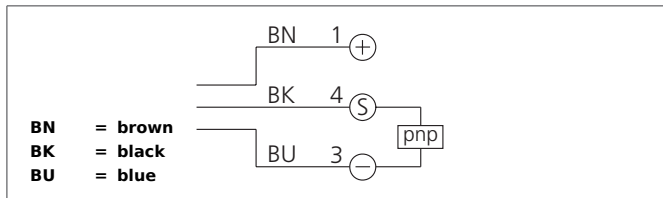


# OGUP 030 P3K-TSSL

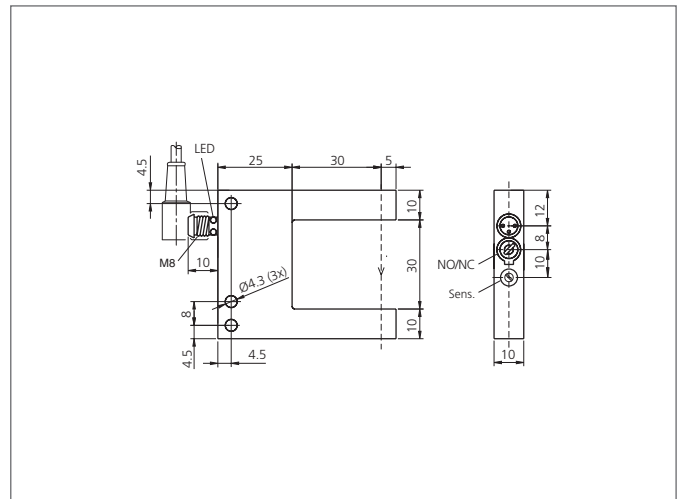
## High Performance Fork Light Barrier

- High functional reserve
- Extremely dirt-resistant
- Collimator optics
- Metal casing
- Integrated electronic module
- Sensitivity adjustable
- Light / dark switching
- Bright ring LED
- High protection class
- 5-year warranty



### Safety instructions

The Instruments are not to be used for safety applications, in particular applications in which safety of persons depends on proper operation of the instruments.  
 These instruments shall exclusively be used by qualified personnel.



TECHNICAL INFORMATION (typ.)	+20°C, 24V DC
Operating principle	Optical
Evaluation	digital
Size	50 x 60 x 10 mm (Dimensions)
Design	fork
Fork opening	30 mm
Branch length	35 mm
Characteristics	High transmit power and dirt penetration
Emitted light	Infrared, clocked
Service voltage	10 ... 30 V DC (Supply Class 2)
Internal power consumption	< 30 mA
Resolution	Ø 3 mm
Sensitivity adjustment	potentiometer
Switching output	pnp, 200 mA, NO/NC, switchable
Switching hysteresis	< 0,2 mm
Voltage drop	< 2,8 V
Switching frequency	300 Hz
Ambient temperature	-10 ... +60 °C
Ambient light immunity	20 kLx
Insulation voltage endurance	500 V
Protection class	IP 67
Protection degree	III, operation on protective low voltage
Casing material	Die-cast zinc black lacquered finish
Connection	Connector, M8, 3-poled

**OGUP 030 P3K-TSSL**  
**High Performance Fork Light Barrier**



**TECHNICAL INFORMATION (typ.)**

**+20°C, 24V DC**

Connecting cable

TK ...