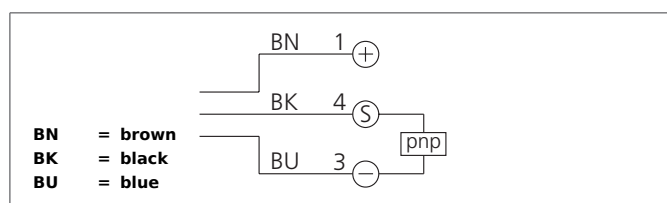


OHT 18 M 120 N1K-IBSL

Diffuse Sensor with Background Suppression

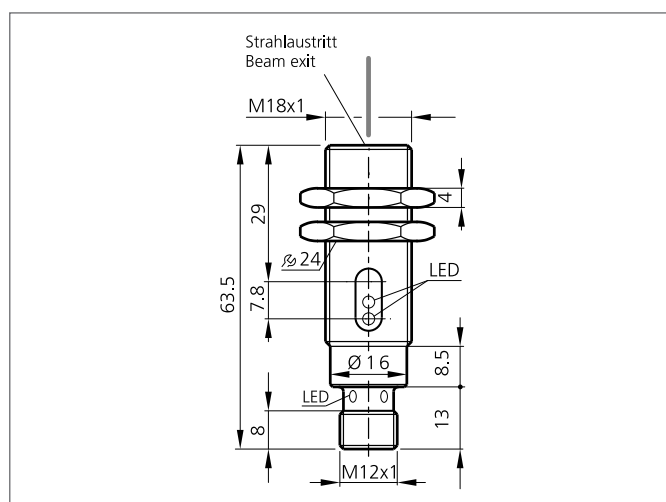
- Compact design
- Red light
- Sensitivity adjustable
- High resolution, operating frequency, functional reserve
- LED indication of output state and functional reserve
- High operating distance



Safety instructions

The Instruments are not to be used for safety applications, in particular applications in which safety of persons depends on proper operation of the instruments.

These instruments shall exclusively be used by qualified personnel.



TECHNICAL INFORMATION (typ.)	+20°C, 24V DC
Operating principle	Diffuse reflective sensor
Evaluation	digital
Size	M18 x 1 (thread)
Design	screw
Emitted light	Red, 660 nm, clocked
Standardized measuring plate	100 x 100 mm, white
Service voltage	10 ... 35 V DC
Internal power consumption	< 25 mA
background suppression	yes
Operating distance	10 ... 120 mm
Sensitivity adjustment	potentiometer
Switching output	npn, 200 mA, NC
Switching hysteresis	< 10 %
Voltage drop	< 2,0 V
Switching frequency	500 Hz
Response-/release time	< 1 ms / < 1 ms
Ambient temperature	-25 ... +55 °C
Temperature drift	0,3 %/K
Ambient light immunity	10 kLx
Insulation voltage endurance	1.000 V
Protection class	IP 65
Protection degree	III, operation on protective low voltage
Casing material	brass nickel plated

OHT 18 M 120 N1K-IBSL
Diffuse Sensor with Background
Suppression

TECHNICAL INFORMATION (typ.)	+20°C, 24V DC
Material	glass (Window)
Connection	Connector, M12, 3-poled