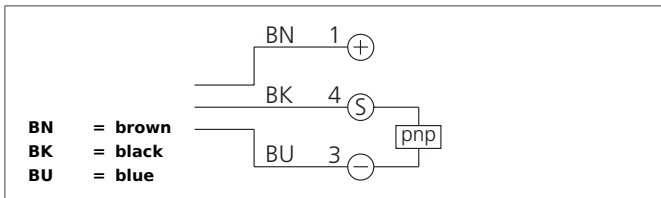


OHT W 18 M 120 P1K-IBSL

Diffuse Sensor with Background Suppression

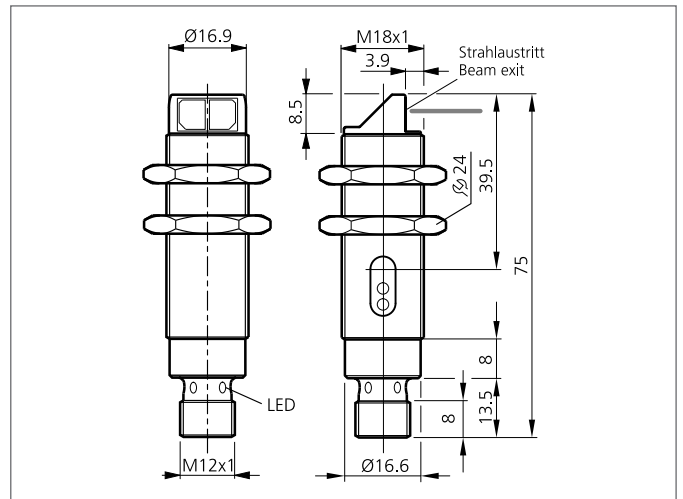
- Compact design, angled optics
- Red light
- Sensitivity adjustable
- High resolution, operating frequency, functional reserve
- LED indication of output state and functional reserve
- High operating distance



Safety instructions

The Instruments are not to be used for safety applications, in particular applications in which safety of persons depends on proper operation of the instruments.

These instruments shall exclusively be used by qualified personnel.



| TECHNICAL INFORMATION (typ.) | | +20°C, 24V DC |
|------------------------------|--|--|
| Operating principle | | Diffuse reflective sensor |
| Evaluation | | digital |
| Size | | M18 x 1 (thread) |
| Design | | screw |
| Emitted light | | Red, 660 nm, clocked |
| Standardized measuring plate | | 100 x 100 mm, white |
| Service voltage | | 10 ... 36 V DC |
| Internal power consumption | | < 25 mA |
| background suppression | | yes |
| Operating distance | | 10 ... 120 mm |
| Sensitivity adjustment | | potentiometer |
| Switching output | | pnp, 200 mA, NO |
| Switching hysteresis | | < 10 % |
| Voltage drop | | < 2,0 V |
| Switching frequency | | 500 Hz |
| Response-/release time | | < 1 ms / < 1 ms |
| Ambient temperature | | -25 ... +55 °C |
| Temperature drift | | 0,3 %/K |
| Ambient light immunity | | 10 kLx |
| Insulation voltage endurance | | 1.000 V |
| Protection class | | IP 65 |
| Protection degree | | III, operation on protective low voltage |
| Casing material | | brass nickel plated |

OHT W 18 M 120 P1K-IBSL
Diffuse Sensor with Background
Suppression

| | |
|-------------------------------------|-------------------------|
| TECHNICAL INFORMATION (typ.) | +20°C, 24V DC |
| Material | glass (Window) |
| Connection | Connector, M12, 3-poled |