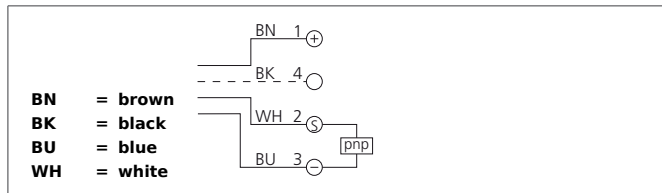


OTV 12 M 300 P2K-IBSL

Diffuse Sensor

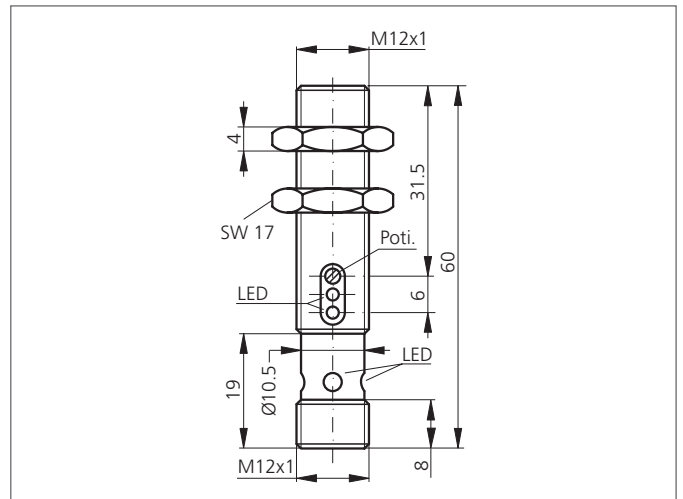
- Small design
- Red light
- High resolution, switching accuracy, switching frequency
- Sensitivity adjustable
- LED indication of output state and functional reserve



Safety instructions

The Instruments are not to be used for safety applications, in particular applications in which safety of persons depends on proper operation of the instruments.

These instruments shall exclusively be used by qualified personnel.



TECHNICAL INFORMATION (typ.)		+20°C, 24V DC
Operating principle		Diffuse reflective sensor
Evaluation		digital
Size		M12 x 1 (thread)
Design		screw
Emitted light		Red, 660 nm, clocked
Standardized measuring plate		200 x 200 mm, white
Service voltage		10 ... 36 V DC
Internal power consumption		< 20 mA
background suppression		no
Operating distance		70 ... 300 mm
Sensitivity adjustment		potentiometer
Switching output		pnp, 200 mA, NC
Switching hysteresis		< 10 %
Voltage drop		< 2,0 V
Switching frequency		1.000 Hz
Response-/release time		< 0,5 ms / < 0,5 ms
Ambient temperature		-25 ... +55 °C
Temperature drift		0,3 %/K
Ambient light immunity		10 kLx
Insulation voltage endurance		1.000 V
Protection class		IP 67
Protection degree		III, operation on protective low voltage
Casing material		brass nickel plated

OTV 12 M 300 P2K-IBSL
Diffuse Sensor



TECHNICAL INFORMATION (typ.)	+20°C, 24V DC
Material	glass (Window)
Connection	Connector, M12, 4-poled