

# OTV 30 K 600 P1K-TSSL

## Diffuse Sensor

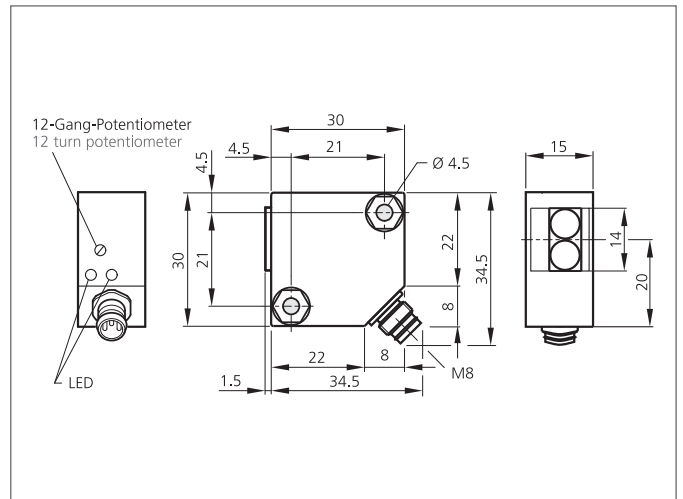
- Small design
- Infrared light
- Sensitivity adjustable, large operating distance
- 12-turn potentiometer



### Safety instructions

The Instruments are not to be used for safety applications, in particular applications in which safety of persons depends on proper operation of the instruments.

These instruments shall exclusively be used by qualified personnel.



TECHNICAL INFORMATION (typ.)		+20°C, 24V DC
Operating principle		Diffuse reflective sensor
Evaluation		digital
Size		30 x 30 x 15 mm (Dimensions)
Design		cuboid design
Emitted light		Infrared, 880 nm, clocked
Standardized measuring plate		200 x 200 mm, white
Service voltage		10 ... 36 V DC
Internal power consumption		< 15 mA
background suppression		no
Operating distance		200 ... 600 mm adjustable
Sensitivity adjustment		Potentiometer 12-way
Switching output		pnp, 200 mA, NO
Switching hysteresis		< 10 %
Voltage drop		< 2,0 V
Switching frequency		1.000 Hz
Response-/release time		< 0,5 ms / < 0,5 ms
Ambient temperature		-25 ... +55 °C
Temperature drift		0,3 %/K
Ambient light immunity		10 kLx
Insulation voltage endurance		1.000 V
Protection class		IP 65
Protection degree		III, operation on protective low voltage
Casing material		plastics (PBT)

**OTV 30 K 600 P1K-TSSL**  
**Diffuse Sensor**



<b>TECHNICAL INFORMATION (typ.)</b>	<b>+20°C, 24V DC</b>
Material	glass (Window)
Connection	Connector, M8, 3-poled