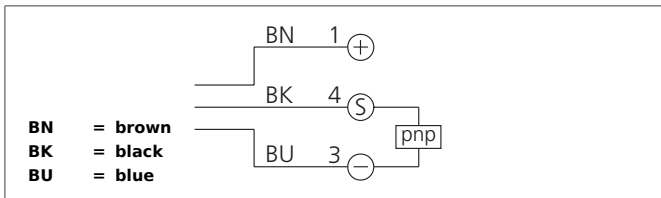


# OTV 30 K 600 P2K-TSSL

## Diffuse Sensor

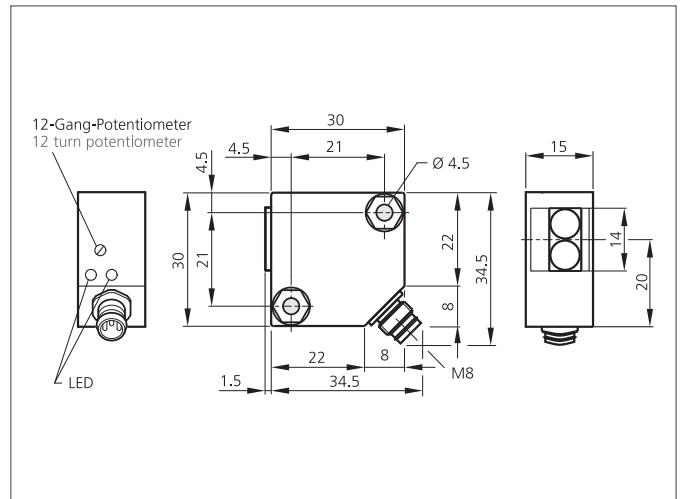
- Small design
- Infrared light
- 12-turn potentiometer
- Sensitivity adjustable, large operating distance



### Safety instructions

The Instruments are not to be used for safety applications, in particular applications in which safety of persons depends on proper operation of the instruments.

These instruments shall exclusively be used by qualified personnel.



TECHNICAL INFORMATION (typ.)	+20°C, 24V DC
Operating principle	Diffuse reflective sensor
Evaluation	digital
Size	30 x 30 x 15 mm (Dimensions)
Design	cuboid design
Emitted light	Infrared, 880 nm, clocked
Standardized measuring plate	200 x 200 mm, white
Service voltage	10 ... 36 V DC
Internal power consumption	< 15 mA
background suppression	no
Operating distance	200 ... 600 mm adjustable
Sensitivity adjustment	Potentiometer 12-way
Switching output	pnp, 200 mA, NC
Switching hysteresis	< 10 %
Voltage drop	< 2,0 V
Switching frequency	1.000 Hz
Response-/release time	< 0,5 ms / < 0,5 ms
Ambient temperature	-25 ... +55 °C
Temperature drift	0,3 %/K
Ambient light immunity	10 kLx
Insulation voltage endurance	1.000 V
Protection class	IP 65
Protection degree	III, operation on protective low voltage
Casing material	plastics (PBT)

# OTV 30 K 600 P2K-TSSL

## Diffuse Sensor



<b>TECHNICAL INFORMATION (typ.)</b>		<b>+20°C, 24V DC</b>
Material		glass (Window)
Connection		Connector, M8, 3-poled