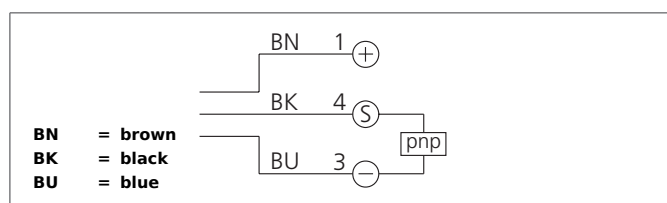
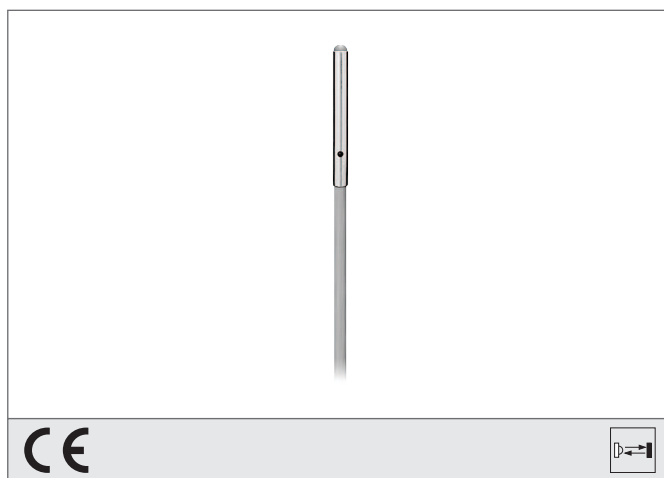


## OTV 4.0 V 10 P1K Diffuse Sensor

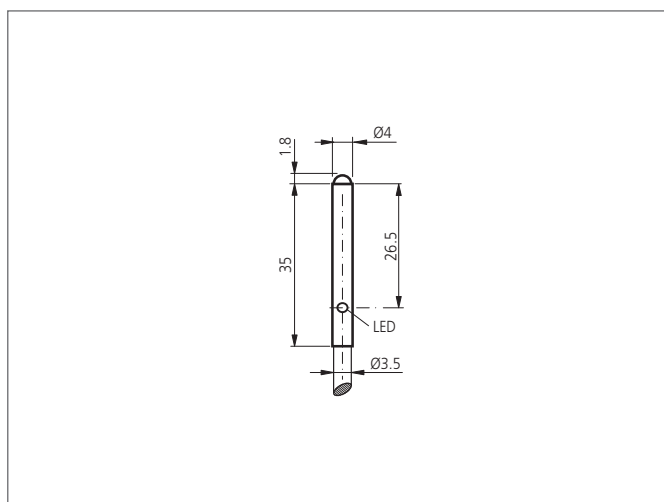
- Extrem small design
- Infrared light
- High resolution
- Functional reserve
- Cylindrical light beam



### Safety instructions

The Instruments are not to be used for safety applications, in particular applications in which safety of persons depends on proper operation of the instruments.

These instruments shall exclusively be used by qualified personnel.



| TECHNICAL INFORMATION (typ.) |  | +20°C, 24V DC                            |
|------------------------------|--|--|
| Operating principle          |  | Diffuse reflective sensor                |
| Evaluation                   |  | digital                                  |
| Size                         |  | Ø 4 mm (Diameter)                        |
| Design                       |  | cylinder                                 |
| Emitted light                |  | Infrared, 880 nm, clocked                |
| Standardized measuring plate |  | 100 x 100 mm, white                      |
| Service voltage              |  | 10 ... 36 V DC                           |
| Internal power consumption   |  | < 10 mA                                  |
| background suppression       |  | no                                       |
| Operating distance           |  | 10 mm                                    |
| Sensitivity adjustment       |  | no setting elements                      |
| Switching output             |  | pnp, 100 mA, NO                          |
| Switching hysteresis         |  | < 10 %                                   |
| Voltage drop                 |  | < 2,0 V                                  |
| Switching frequency          |  | 250 Hz                                   |
| Response-/release time       |  | < 2,5 ms / < 2,5 ms                      |
| Ambient temperature          |  | -25 ... +55 °C                           |
| Temperature drift            |  | 0,3 %/K                                  |
| Ambient light immunity       |  | 10 kLx                                   |
| Insulation voltage endurance |  | 1.000 V                                  |
| Protection class             |  | IP 67                                    |
| Protection degree            |  | III, operation on protective low voltage |
| Casing material              |  | stainless steel V2A (1.4301 / AISI 304)  |

# OTV 4.0 V 10 P1K

## Diffuse Sensor



| <b>TECHNICAL INFORMATION (typ.)</b> |  | <b>+20°C, 24V DC</b> |
|-------------------------------------|--|----------------------|
| Material                            |  | glass (Window)       |
| Connection                          |  | cable PVC, 2 m       |