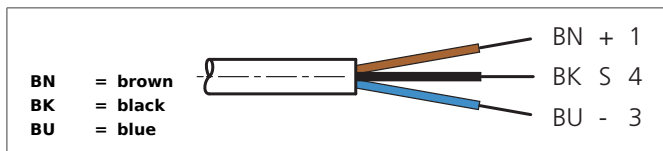


TKHM-Z-2.5 Connecting Cable

- Drag chain compatible
- Sturdy metal coupling ring
- Durable PU coating
- Flexible lead design
- Good stripping properties
- High protection class
- Gold-plated plug-in contacts



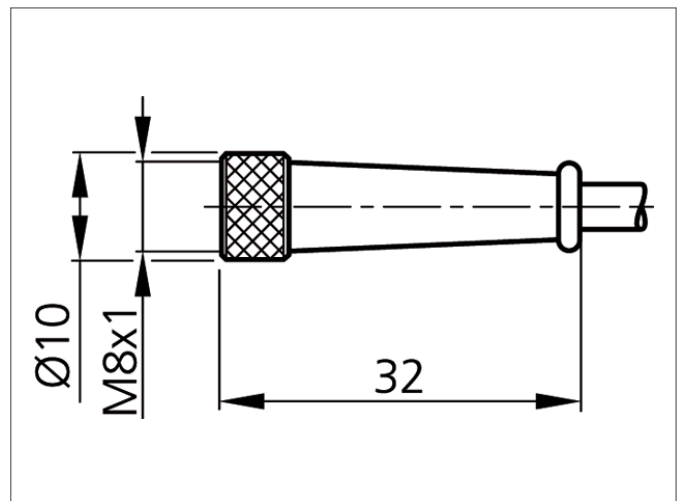
CE



Safety instructions

The Instruments are not to be used for safety applications, in particular applications in which safety of persons depends on proper operation of the instruments.

These instruments shall exclusively be used by qualified personnel.



| TECHNICAL INFORMATION (typ.) | | +20°C, 24V DC |
|------------------------------|--|---|
| Size | | Ø 4,5 mm (Diameter) M8 x 1 (thread) |
| Design | | straight |
| Length | | 2.500 mm |
| Characteristics | | metal coupling ring |
| Service voltage | | < 60 V AC/DC |
| LED indicator | | no |
| Ambient temperature | | -30 ... +80°C (fixed), -5 ... +80°C (moved) |
| Protection class | | IP 67, (at tightening torque 0,4 Nm) |
| Material | | PUR (Cable) PUR (connector) |
| Connection | | Connector, M8, 3-poled |
| Drag chain compatible | | Yes |
| Drag chain properties | | 2 Mio. (Bending cycles) 70 mm (Minimum bending radius) |