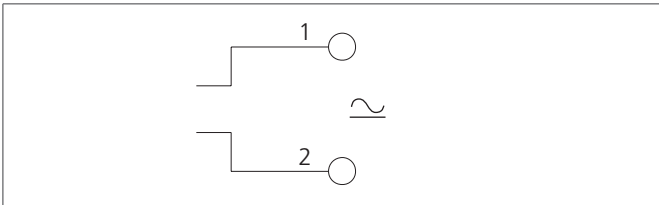
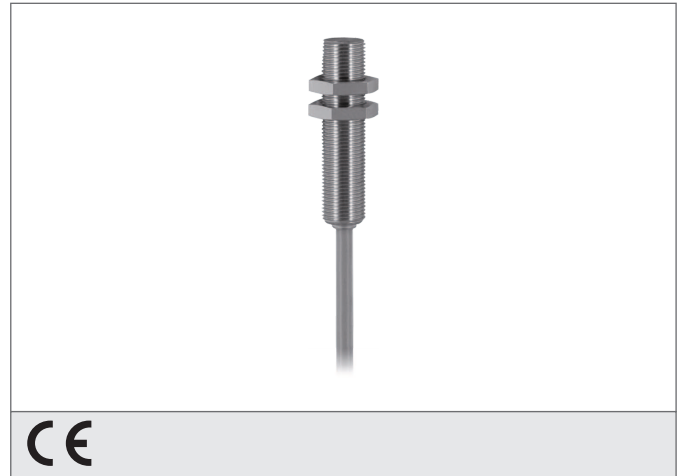


UCC 12 M 02 OL

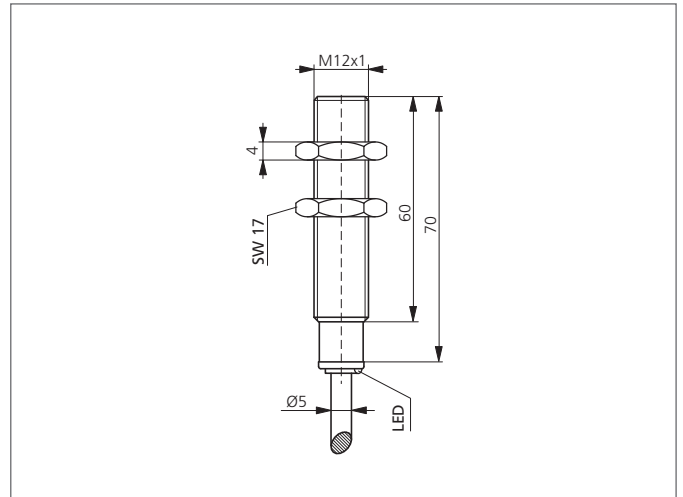
Inductive Proximity Switch

- Service voltage 20 ... 265 V AC, 10 ... 320 V DC
- Protection class IP 67
- Cable, highly flexible
- Integrated amplifier
- Short-circuit protection
- LED/ring-LED



Safety instructions

The Instruments are not to be used for safety applications, in particular applications in which safety of persons depends on proper operation of the instruments.
These instruments shall exclusively be used by qualified personnel.



TECHNICAL INFORMATION (typ.)	+20°C, 24V DC
Operating principle	Inductive
Evaluation	digital
Size	M12 x 1 (thread)
Design	screw
Mounting	flush
Operating distance	2 mm
Standardized measuring plate	12 x 12 x 1 mm
Service voltage	20 ... 265 V AC / 10 ... 320 V DC
Internal power consumption	< 1 mA
Switching output	200 mA, NC, AC/DC
Switching hysteresis	< 10 %
Voltage drop	< 6,0 V
Switching frequency	25 Hz AC, 3.000 Hz DC
Ambient temperature	-25 ... +70 °C
Insulation voltage endurance	500 V
Protection class	IP 67
Casing material	brass nickel plated
Connection	cable PVC, 2 m