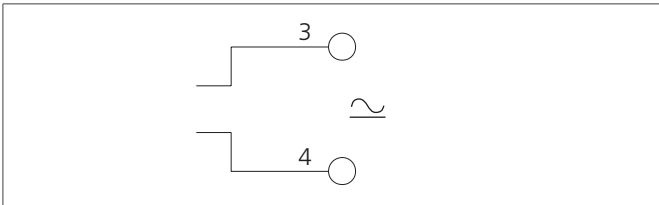


UCC 18 M 08 S-IBSL

Inductive Proximity Switch

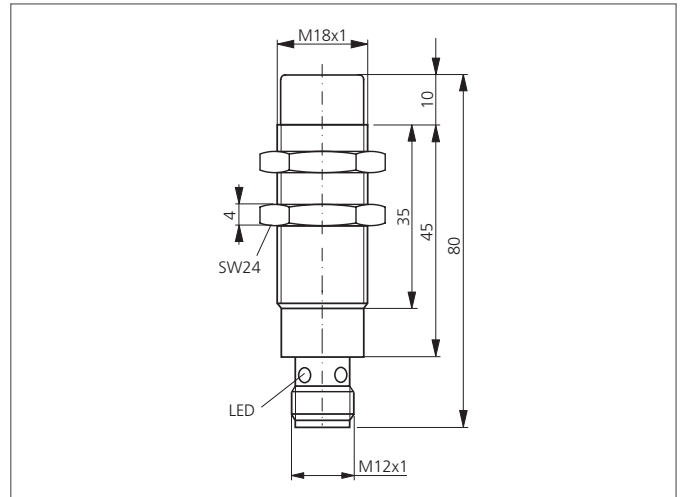
- Service voltage 20 ... 250 V AC, 10 ... 250 V DC
- Protection class IP 67
- Metal plug
- Integrated amplifier
- Short-circuit protection
- LED/ring-LED



Safety instructions

The Instruments are not to be used for safety applications, in particular applications in which safety of persons depends on proper operation of the instruments.

These instruments shall exclusively be used by qualified personnel.



TECHNICAL INFORMATION (typ.)	+20°C, 24V DC
Operating principle	Inductive
Evaluation	digital
Size	M18 x 1 (thread)
Design	screw
Mounting	non-flush
Operating distance	8 mm
Standardized measuring plate	24 x 24 x 1 mm
Service voltage	20 ... 250 V AC / 10 ... 250 V DC
Internal power consumption	< 1 mA
Switching output	200 mA, NO, AC/DC
Switching hysteresis	< 10 %
Voltage drop	< 6,0 V
Switching frequency	25 Hz AC, 1.200 Hz DC
Ambient temperature	-25 ... +70 °C
Insulation voltage endurance	500 V
Protection class	IP 67
Casing material	brass nickel plated
Connection	Connector, M12