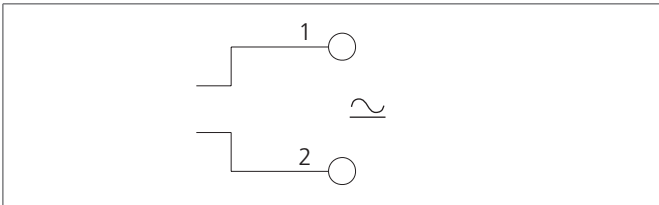


UCC 30 M 10 O-IBSL

Inductive Proximity Switch

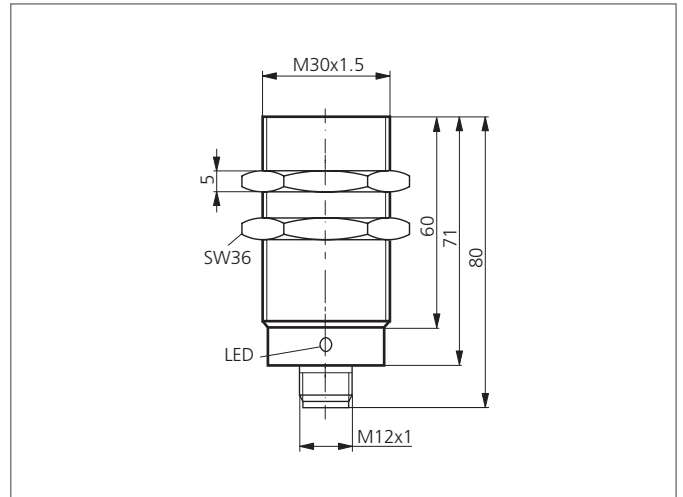
- Service voltage 20 ... 250 V AC, 10 ... 250 V DC
- Protection class IP 67
- Metal plug
- Integrated amplifier
- Short-circuit protection
- LED/ring-LED



Safety instructions

The Instruments are not to be used for safety applications, in particular applications in which safety of persons depends on proper operation of the instruments.

These instruments shall exclusively be used by qualified personnel.



TECHNICAL INFORMATION (typ.)		+20°C, 24V DC
Operating principle		Inductive
Evaluation		digital
Size		M30 x 1,5 (thread)
Design		screw
Mounting		flush
Operating distance		10 mm
Standardized measuring plate		30 x 30 x 1 mm
Service voltage		20 ... 250 V AC / 10 ... 250 V DC
Internal power consumption		< 1 mA
Switching output		200 mA, NC, AC/DC
Switching hysteresis		< 10 %
Voltage drop		< 6,0 V
Switching frequency		25 Hz AC, 600 Hz DC
Ambient temperature		-25 ... +70 °C
Insulation voltage endurance		500 V
Protection class		IP 67
Casing material		brass nickel plated
Connection		Connector, M12