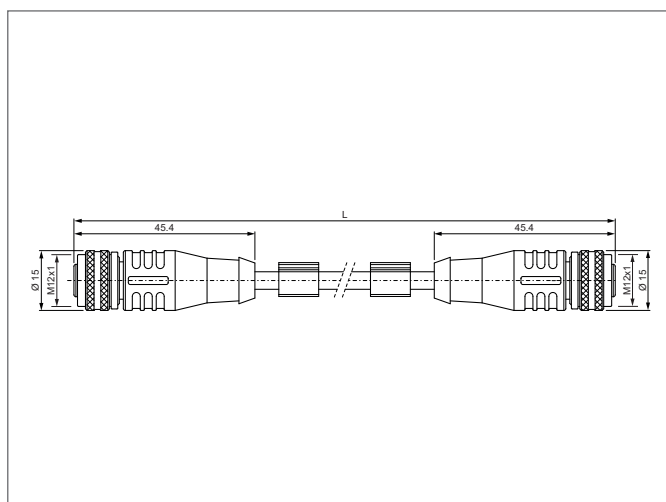
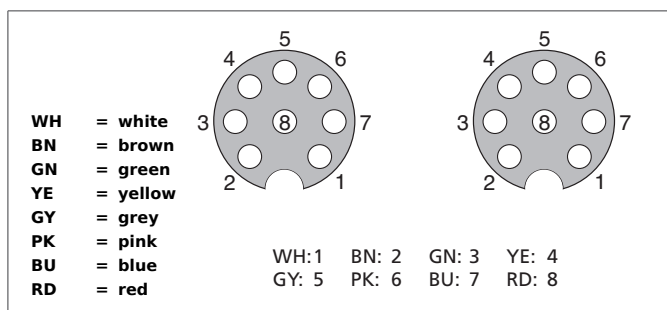
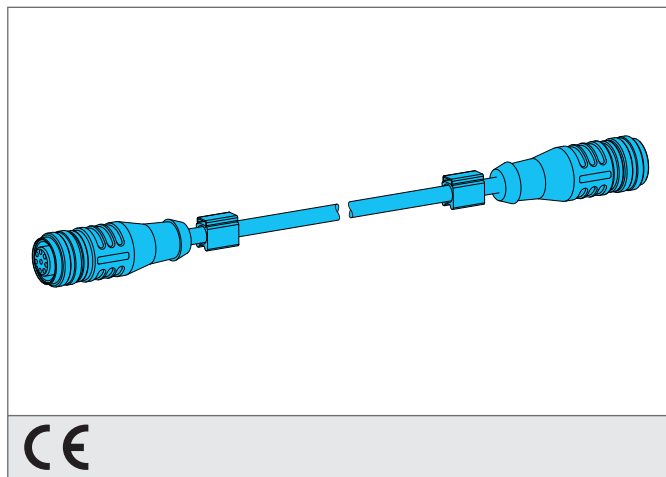


## VKHM-MLG-3/8

### Connecting Cable for MLE/MLS

- Shielded
- Cable, highly flexible
- High protection class



#### Safety instructions

The Instruments are not to be used for safety applications, in particular applications in which safety of persons depends on proper operation of the instruments.

These instruments shall exclusively be used by qualified personnel.

#### TECHNICAL INFORMATION (typ.)

+20°C, 24V DC	
Size	M12 x 1 (thread)
Design	straight
Length	3.000 mm
Service voltage	< 30 V AC/DC
LED indicator	no
Ambient temperature	-30 ... +90 °C (fixed)
Protection class	IP 67, IP 69K, (at tightening torque 0,6 Nm)
Material	PVC (Cable) TPU (connector)
Connection	Socket M12 to socket M12, 8-poled, shielded