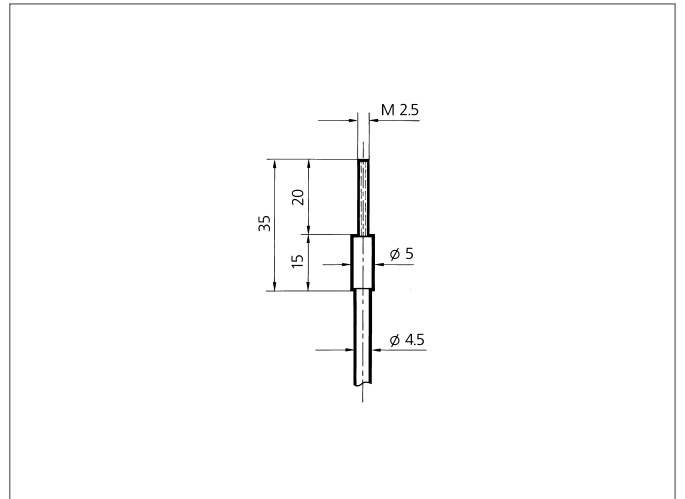
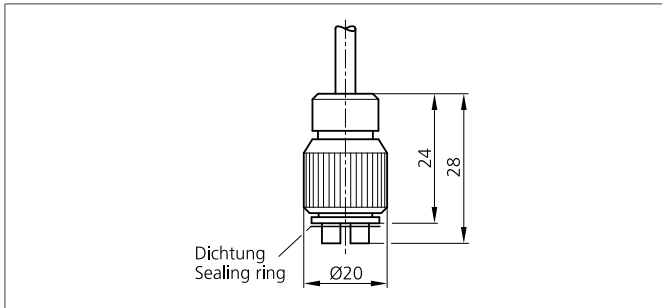
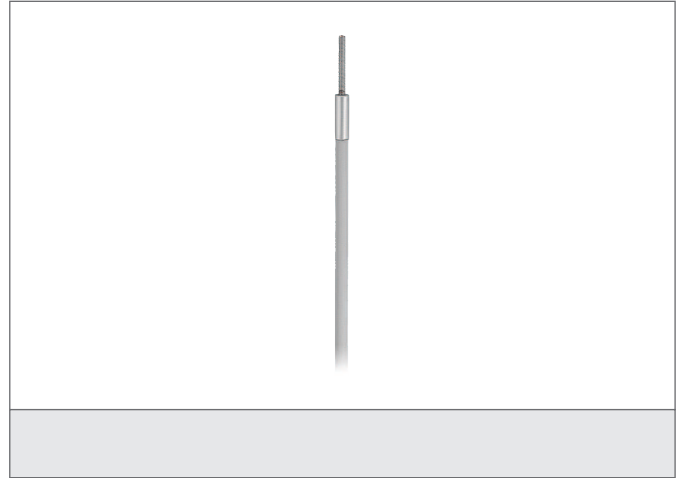


## WRB 110 M-M2.5-1.5

### Glass fiber optic

- High-quality glass fibres
- Resistant to high temperature
- Robust, highly flexible



#### Safety instructions

The Instruments are not to be used for safety applications, in particular applications in which safety of persons depends on proper operation of the instruments.

These instruments shall exclusively be used by qualified personnel.

| TECHNICAL INFORMATION (typ.) | +20°C, 24V DC  |
|------------------------------|--|
| Operating principle          | Diffuse reflective sensor  |
| Design                       | screw  |
| Length                       | 300 mm   |
| Active diameter              | Ø 1,5 mm   |
| Opening angle                | 67°  |
| Light outlet                 | axial  |
| Operating distance           | 30 mm  |
| single fibre                 | Ø 0,05 mm  |
| Bending radius               | ≥ 10 x tube-Ø  |
| Temperature resistance       | -40 ... + 180 °C (short-term up to +300 °C)                          |
| Protection class             | IP 60  |
| For                          | Amplifier for glass fiber optics                                     |
| Material                     | V2A (Sensor probe)<br>glass fibre (Fibre)<br>Metal sleeve (Cladding) |
|                              |  |
|                              |  |
|                              |  |
|                              |  |
|                              |  |
|                              |  |