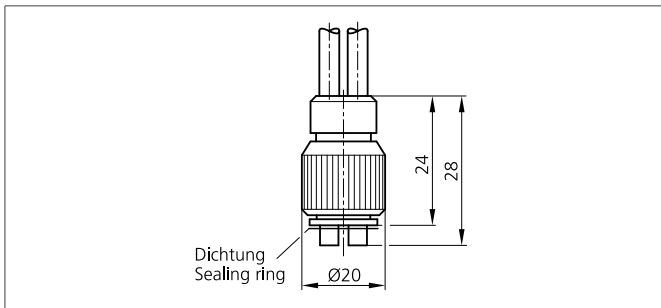
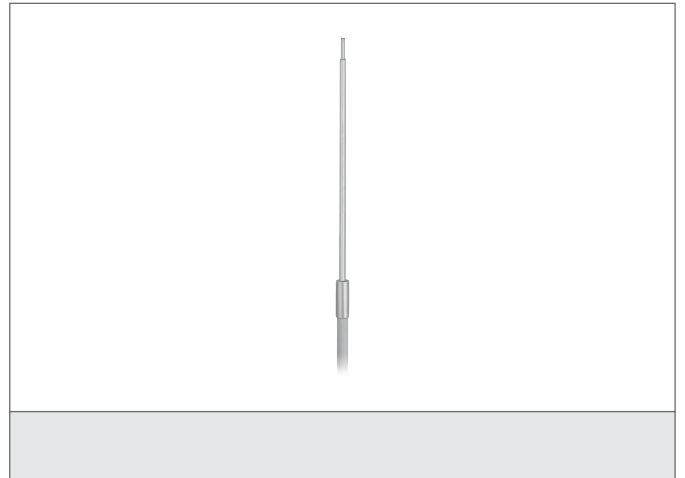


WRB 220 SB-2.0-1.0

Glass fiber optic

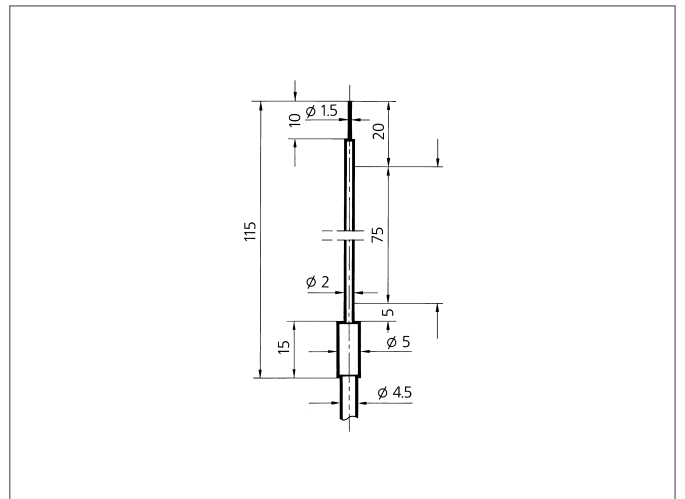
- High-quality glass fibres
- Resistant to high temperature
- Robust, highly flexible



Safety instructions

The Instruments are not to be used for safety applications, in particular applications in which safety of persons depends on proper operation of the instruments.

These instruments shall exclusively be used by qualified personnel.



TECHNICAL INFORMATION (typ.)		+20°C, 24V DC
Operating principle		Through beam sensor
Design		cylinder
Length		600 mm
Active diameter		Ø 1,0 mm
Opening angle		67°
Light outlet		flexible probe
Operating distance		150 mm
single fibre		Ø 0,05 mm
Bending radius		≥ 3 x tube-Ø
Temperature resistance		-40 ... + 180 °C (short-term up to +250 °C)
Protection class		IP 67
For		Amplifier for glass fiber optics
Material		V2A (Sensor probe) glass fibre (Fibre) Silicone-metal sleeve (Cladding)