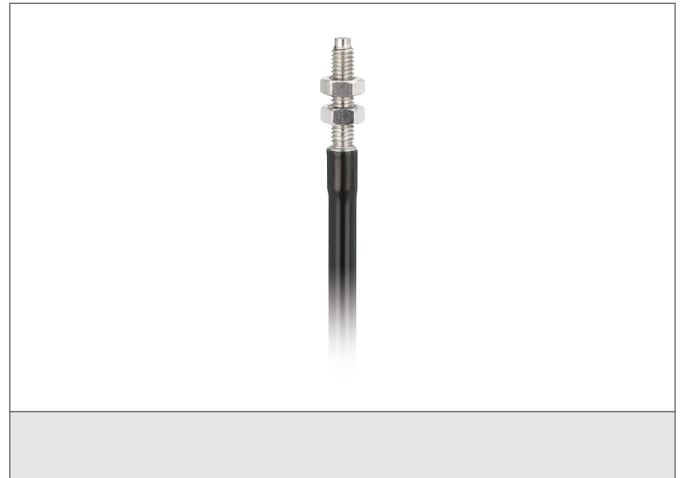


# WRBT 2000 K-M3-0.5

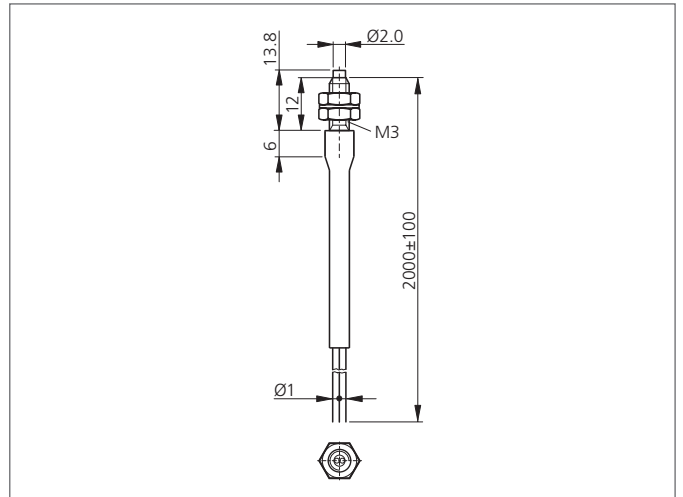
## Plastic fiber optic

- Fine inner fibre for maximal resolution



### Safety instructions

The Instruments are not to be used for safety applications, in particular applications in which safety of persons depends on proper operation of the instruments.  
These instruments shall exclusively be used by qualified personnel.



### TECHNICAL INFORMATION (typ.)

Operating principle	Diffuse reflective sensor
Size	M3 (thread)
Design	screw
Length	2.000 mm
Opening angle	56°
Light outlet	axial
Single fibre-optics	Ø 1,0 mm
single fibre	Ø 0,5 mm
Bending radius	> 15 mm
Temperature resistance	-55 ... + 70 °C
Protection class	IP 67
For	Amplifier for plastic fiber optics
Material	stainless steel (Thread sleeve) polymethyl methacrylate (Fibre) PE (Cladding)