

WRBT 2000 KR-5.0-2.0

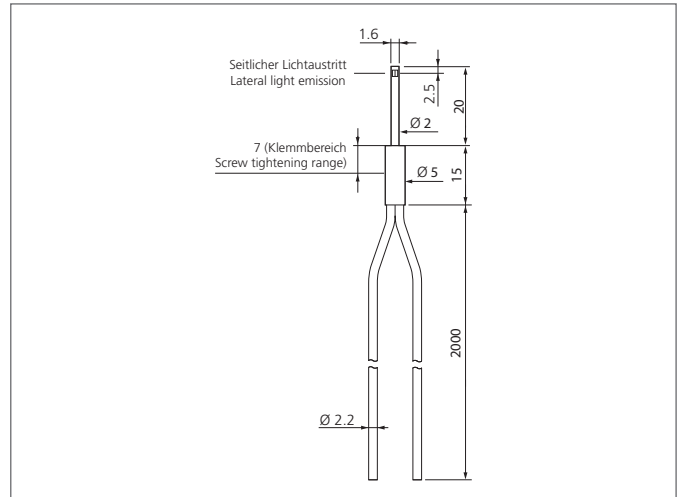
Plastic fiber optic

- Small probe made of stainless steel
- Lateral light emission



Safety instructions

The Instruments are not to be used for safety applications, in particular applications in which safety of persons depends on proper operation of the instruments.
 These instruments shall exclusively be used by qualified personnel.



TECHNICAL INFORMATION (typ.)	
Operating principle	Diffuse reflective sensor
Size	Ø 2 mm (Diameter)
Design	cylinder
Length	2.000 mm
Opening angle	58°
Light outlet	radial
Single fibre-optics	Ø 2,2 mm
single fibre	Ø 0,5 mm
Bending radius	> 4 mm, > 25 mm
Temperature resistance	-55 ... + 80 °C
Protection class	IP 30
For	Amplifier for plastic fiber optics
Material	stainless steel (Sensor probe) stainless steel (Thread sleeve) polymethyl methacrylate (Fibre) PE (Cladding)