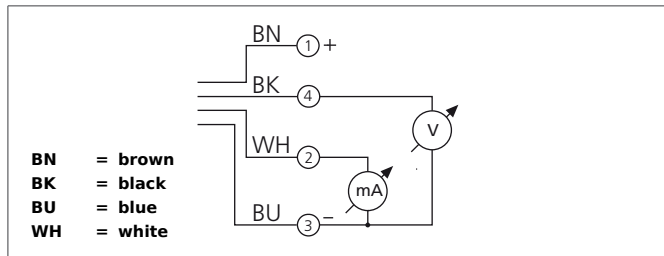
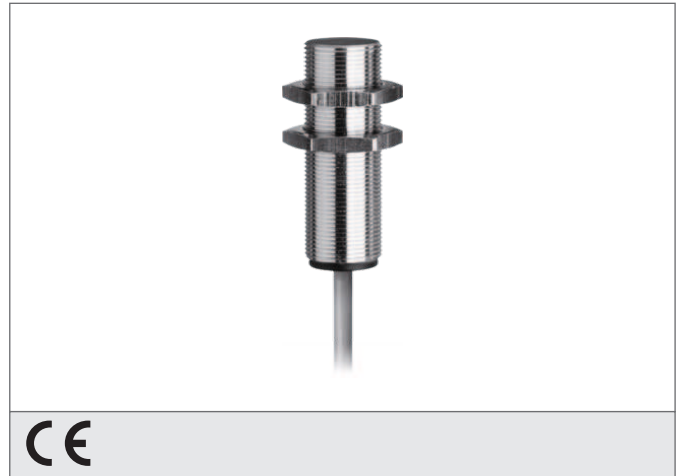


DCC 18 M 10/10 AIK

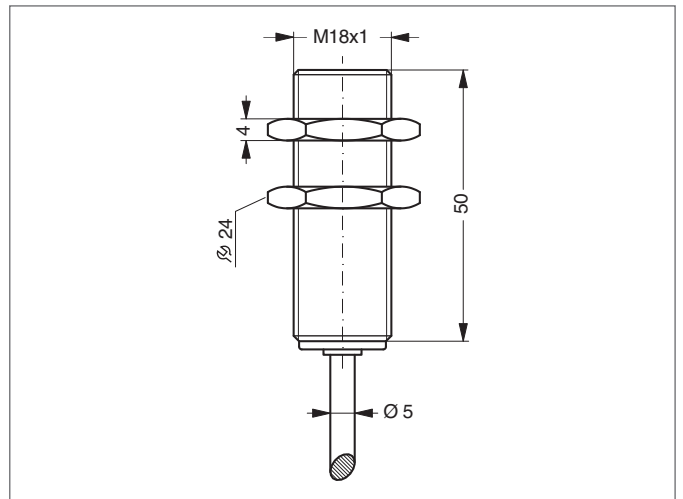
Inductive Proximity Switch

- Analog voltage output
- Analog current output
- Cable, highly flexible
- Integrated amplifier
- Short-circuit protection



Safety instructions

The Instruments are not to be used for safety applications, in particular applications in which safety of persons depends on proper operation of the instruments.
 These instruments shall exclusively be used by qualified personnel.



| TECHNICAL INFORMATION (typ.) | +20°C, 24V DC |
|------------------------------|-----------------------------------|
| Operating principle | Inductive |
| Evaluation | analog |
| Size | M18 x 1 (thread) |
| Design | screw |
| Mounting | quasi-flush |
| Characteristics | extremely high operating distance |
| Operating distance | 0 ... 10 mm |
| Standardized measuring plate | 30 x 30 x 1 mm |
| Service voltage | 15 ... 30 V DC |
| Internal power consumption | < 12 mA |
| Analog output | 0 ... 10 V, 4 ... 20 mA |
| Switching frequency | 500 Hz |
| Ambient temperature | -25 ... +70 °C |
| Insulation voltage endurance | 500 V |
| Protection class | IP 67 |
| Casing material | brass nickel plated |
| Connection | cable PUR, 2 m |
| | |
| | |
| | |