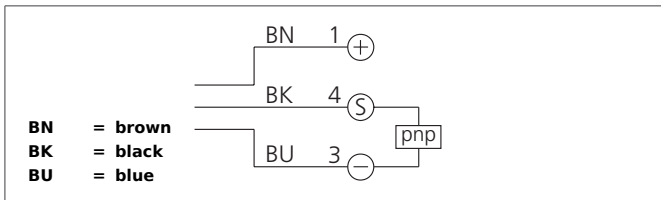


OGUTID 081 P3K-TSSL

Fork Light Barrier

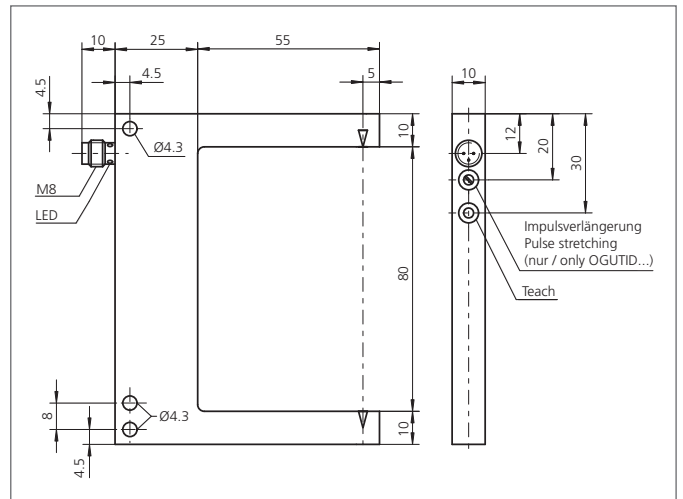
- Adjustable pulse stretching
- High resolution
- Dynamic operating principle
- LED indicator for the teach procedure
- High functional reserve
- Light/dark switching
- 5-year warranty



Safety instructions

The Instruments are not to be used for safety applications, in particular applications in which safety of persons depends on proper operation of the instruments.

These instruments shall exclusively be used by qualified personnel.



TECHNICAL INFORMATION (typ.)	+20°C, 24V DC
Operating principle	Optical
Evaluation	dynamic
Size	100 x 80 x 10 mm (Dimensions)
Design	fork
Fork opening	80 mm
Branch length	55 mm
Emitted light	Red, 660 nm, clocked
Service voltage	10 ... 35 V DC (Supply Class 2)
Internal power consumption	< 30 mA
Resolution	Ø 0.15 mm
Sensitivity adjustment	Teach key
Switching output	pnp, 200 mA, NO/NC, switchable
Minimum speed	5 cm/s
Pulse stretching	5 ... 150 ms adjustable (at max.: 1.000 ms)
Voltage drop	2,0 V
Switching frequency	100 Hz, (depending on the pulse stretching)
Response-/release time	0,1 ms
Ambient temperature	-10 ... +60 °C
Ambient light immunity	15 kLx
Insulation voltage endurance	500 V
Protection class	IP 67
Protection degree	III, operation on protective low voltage
Casing material	Die-cast zinc black lacquered finish

OGUTID 081 P3K-TSSL

Fork Light Barrier



TECHNICAL INFORMATION (typ.)	+20°C, 24V DC
Connection	Connector, M8, 3-poled
Connecting cable	TK ...