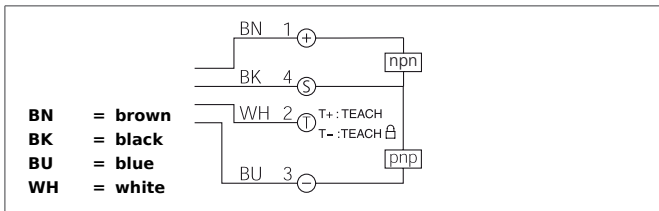


# OGUTI 121 FG3K-TSSL

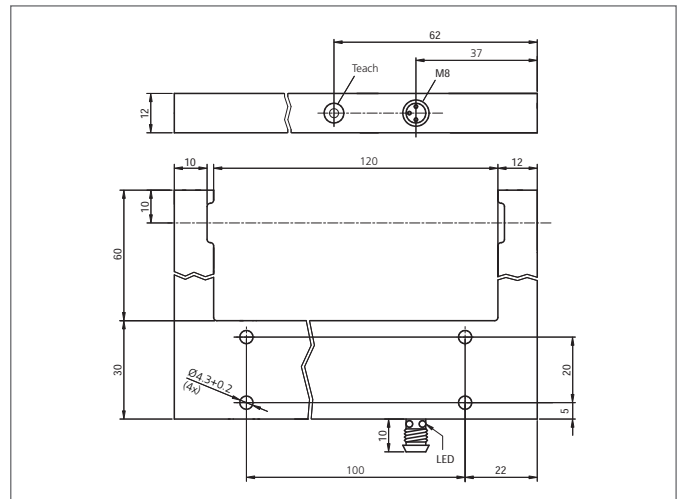
## Fork Light Barrier

- Fast, simple, reliable: sensitivity adjustment via the teach key
- Auto-teach during a running process
- Remote teach option with key-lock function
- LED indicator for the teach procedure
- Large insertion depth for ideal probing position
- Detection of even the smallest objects
- Large functional reserve
- Light/dark switching
- 5-year warranty



### Safety instructions

The Instruments are not to be used for safety applications, in particular applications in which safety of persons depends on proper operation of the instruments.  
 These instruments shall exclusively be used by qualified personnel.



TECHNICAL INFORMATION (typ.)	+20°C, 24V DC
Operating principle	Optical
Evaluation	digital
Size	144 x 90 x 12 mm (Dimensions)
Design	fork
Fork opening	120 mm
Branch length	60 mm
Emitted light	Red, 660 nm, clocked
Service voltage	10 ... 35 V DC (Supply Class 2)
Internal power consumption	< 35 mA
Sensitivity adjustment	Teach key + remote teach
Switching output	Push pull, 200 mA, NO/NC, switchable
Switching hysteresis	< 0,15 mm
Voltage drop	2,0 V
Switching frequency	< 1.500 Hz
Reproducibility	< 0,05 mm
Ambient temperature	-10 ... +60 °C
Ambient light immunity	20 kLx
Insulation voltage endurance	500 V
Protection class	IP 67
Protection degree	III, operation on protective low voltage
Casing material	Die-cast zinc black lacquered finish
Connection	Connector, M8, 4-poled
Connecting cable	TK ... /4