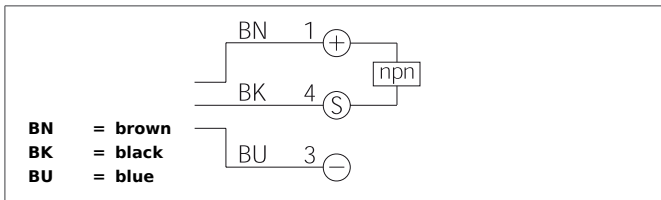


ORV 30 K 2000 N1K-TSSL Retroreflective Sensor

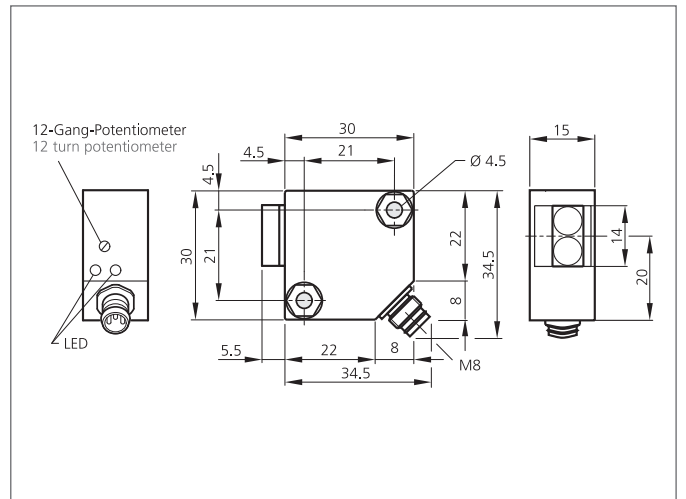
- Small design
- Red light
- 12-turn potentiometer
- Sensitivity adjustable, large operating distance
- Polarized filter



Safety instructions

The Instruments are not to be used for safety applications, in particular applications in which safety of persons depends on proper operation of the instruments.

These instruments shall exclusively be used by qualified personnel.



TECHNICAL INFORMATION (typ.)	+20°C, 24V DC
Operating principle	Retroreflective sensor
Evaluation	digital
Size	30 x 30 x 15 mm (Dimensions)
Design	cuboid design
Characteristics	Integrated polarized filter
Emitted light	Red, 660 nm, clocked
Operating distance	200 ... 2.000 mm adjustable
Service voltage	10 ... 36 V DC
Internal power consumption	< 15 mA
Sensitivity adjustment	Potentiometer 12-way
Referring reflector	Ø 84 mm, R 84
Switching output	npn, 200 mA, NC
Switching hysteresis	< 10 %
Voltage drop	< 2,0 V
Switching frequency	1.000 Hz
Response-/release time	< 0,5 ms / < 0,5 ms
Ambient temperature	-25 ... +55 °C
Ambient light immunity	10 kLx
Insulation voltage endurance	500 V
Protection class	IP 67
Protection degree	III, operation on protective low voltage
Casing material	plastics (PBT)
Material	glass (Window)

ORV 30 K 2000 N1K-TSSL
Retroreflective Sensor



TECHNICAL INFORMATION (typ.)

Connection

+20°C, 24V DC

Connector, M8, 3-poled