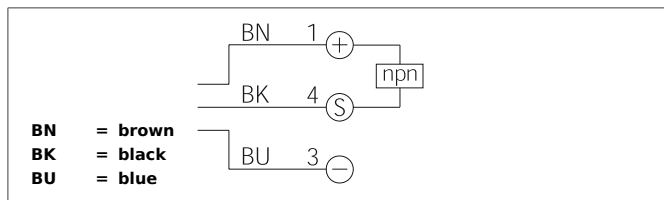


KDC 30 K 30 NSOK-BSL Capacitive Proximity Switch

- Detection of electrically conductive and non-conductive materials
- Detection of liquids, powdery and solid materials
- Detection possible even through containers and packages
- Sensitivity adjustable
- Plug
- Integrated amplifier
- Short-circuit protection
- Starting pulse suppression
- LED



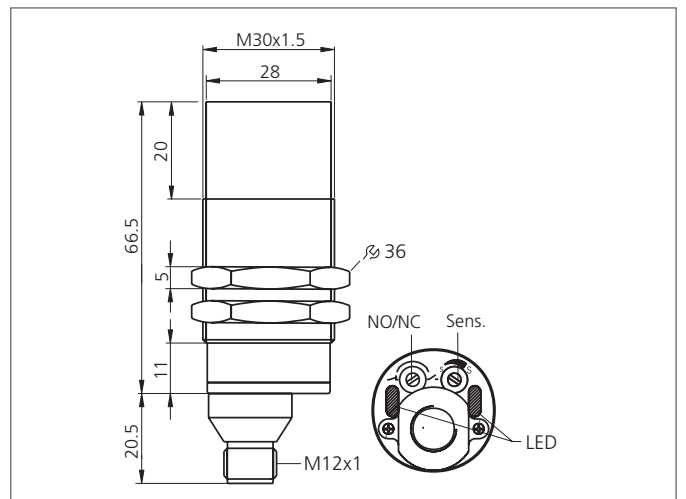
CE



Safety instructions

The Instruments are not to be used for safety applications, in particular applications in which safety of persons depends on proper operation of the instruments.

These instruments shall exclusively be used by qualified personnel.



TECHNICAL INFORMATION (typ.)		+20 °C, 24V DC
Operating principle		Capacitive
Evaluation		digital
Size		M30 x 1,5 (thread)
Design		screw
Mounting		non-flush
Operating distance		30 mm
Service voltage		10 ... 35 V DC
Internal power consumption		< 10 mA
Sensitivity adjustment		potentiometer
Switching output		npn, 300 mA, NO/NC, switchable
Switching hysteresis		< 10 %
Voltage drop		< 1,8 V
Switching frequency		100 Hz
Ambient temperature		-30 ... +70 °C
Insulation voltage endurance		500 V
Protection class		IP 68, Front side, IP 64, (Back)
Casing material		plastics
Connection		Connector, M12, 3-poled