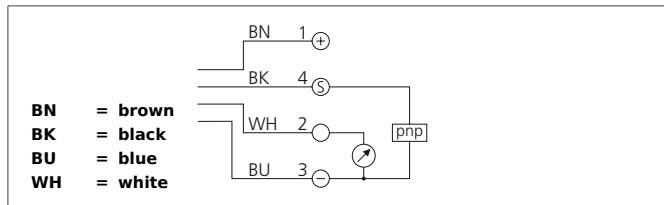


# US 60 K 1000 PSI-TSSL

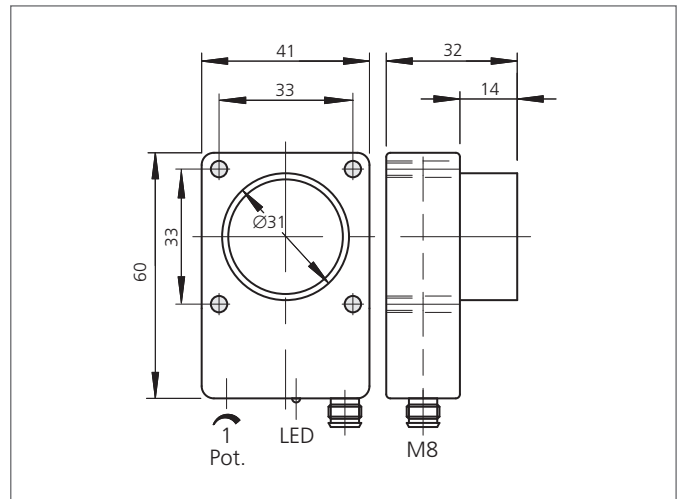
## Ultrasonic Sensor

- Robust casing
- Compact design
- Scanning range adjustable
- Insensitive to dirt
- Insensitive to ambient noise
- Scanning does not depend on surface
- Switching output and analog output
- High follow-up speed
- High resolution
- Piezo-ceramic composite transducer



### Safety instructions

The Instruments are not to be used for safety applications, in particular applications in which safety of persons depends on proper operation of the instruments.  
 These instruments shall exclusively be used by qualified personnel.



TECHNICAL INFORMATION (typ.)		+20°C, 24V DC
Operating principle		Ultrasonic sensor
Evaluation		digital, analog
Size		60 x 41 x 18 mm (Dimensions)
Design		cuboid design
Service voltage		15 ... 30 V DC
Internal power consumption		80 mA
Operating distance		135 ... 1.000 mm
Resolution		0,2 % / Sn max.
Switching output		pnp, 100 mA, NO + analog
Switching hysteresis		25 mm
Analog output		6,2 ... 20 mA
Tracking speed		250 ms (95% Sn max.)
Operating frequency		180.000 Hz
Ripple		20 mV
Linearity analog output		< 0,5 % / Sn max.
Switching frequency		5 Hz
Accuracy		< 1 % / Sn max.
Response-/release time		130 ms / 90 ms (50% Sn max.)
Ambient temperature		-20 ... +50 °C
Temperature error		1 % (-20 ... +50°C)
Load resistance		< 400 Ω
Insulation voltage endurance		500 V
Protection class		IP 67

# US 60 K 1000 PSI-TSSL

## Ultrasonic Sensor



<b>TECHNICAL INFORMATION (typ.)</b>	<b>+20°C, 24V DC</b>
Casing material	polyamide
Connection	Connector, M8, 4-poled