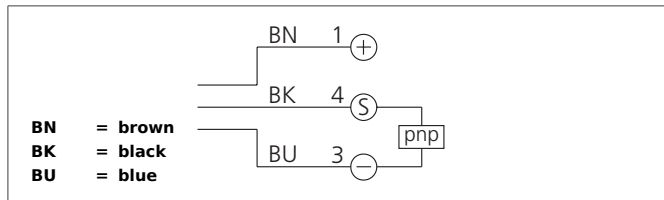


IRDB 6 PSOK-IBS

Inductive Wire Break Sensor

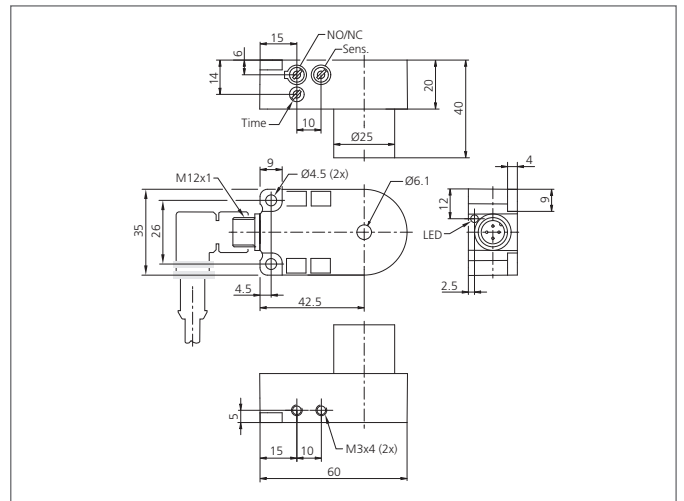
- Compact design
- High resolution
- Short response time
- Pulse stretching adjustable
- Static working principle
- Insensitive to dirt
- Metal connector
- High protection class



Safety instructions

The Instruments are not to be used for safety applications, in particular applications in which safety of persons depends on proper operation of the instruments.

These instruments shall exclusively be used by qualified personnel.



TECHNICAL INFORMATION (typ.)	+20°C, 24V DC
Operating principle	Static
Ring-diameter	6,1 mm
Service voltage	10 ... 35 V DC (Supply Class 2)
Internal power consumption	< 11 mA
Resolution	Ø 0,2 mm (Cu-wire)
Sensitivity adjustment	potentiometer
Mounting distance to metal	> 5 mm
Switching output	pnp, 200 mA, NO/NC, switchable
Speed of parts	< 35 m/s
Pulse stretching	10 ... 150 ms adjustable
Voltage drop	< 2,0 V
Response-/release time	0,5 ms / 10 ms
Ambient temperature	-25 ... +70 °C
Insulation voltage endurance	1.000 V
Protection class	IP 67
Protection degree	III, operation on protective low voltage
Casing material	polyamide / ring POM
Connection	Connector, M12, 4-poled
Connecting cable	VK ...