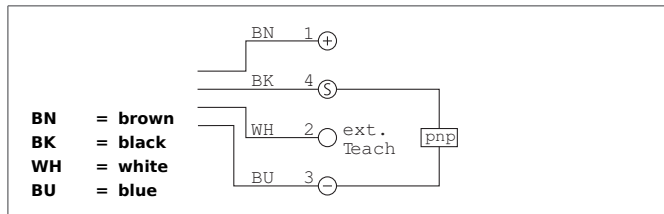


# USCRTI 18 M 200 FPSK-BSL

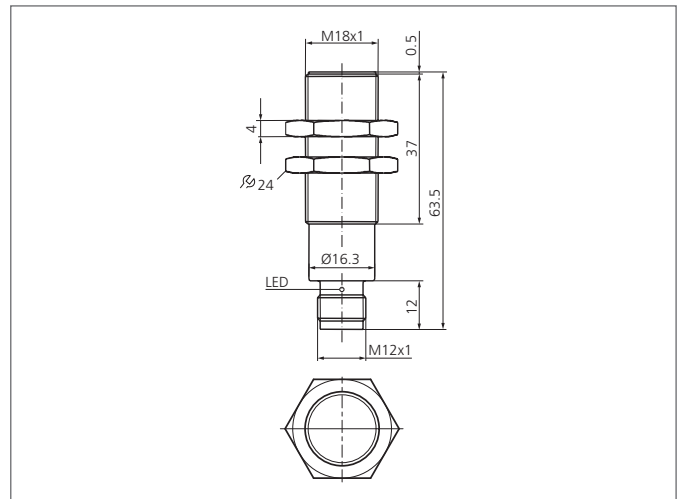
## Ultrasonic barrier

- Ultrasonic barrier
- Sound outlet axial
- Scanning range adjustable via teach input
- Insensitive to dirt and ambient noise due to a large functional reserve
- Small blind zone
- Metal casing
- Small design
- High protection class



### Safety instructions

The Instruments are not to be used for safety applications, in particular applications in which safety of persons depends on proper operation of the instruments.  
These instruments shall exclusively be used by qualified personnel.



TECHNICAL INFORMATION (typ.)	+20°C, 24V DC
Operating principle	Ultrasonic barrier
Evaluation	digital
Size	M18 x 1 (thread)
Design	screw
Tolerance	20 mm
Standardized measuring plate	20 x 20 mm
Service voltage	20 ... 30 V DC
Internal power consumption	< 20 mA
Operating distance	0 ... 200 mm
Adjustment range	120 ... 220 mm
Sensitivity adjustment	Remote teach
Switching output	pnp, 150 mA, NO
Switching hysteresis	2 mm
Operating frequency	400.000 Hz
Switching frequency	10 Hz
Response-/release time	50 ms
Ambient temperature	-25 ... +70 °C
Insulation voltage endurance	500 V
Protection class	IP 67
Casing material	brass nickel plated
Material	PBTP (Crastin) (Transducer enclosure) epoxy resin (Transducer surface)
Connection	Connector, M12, 4-poled