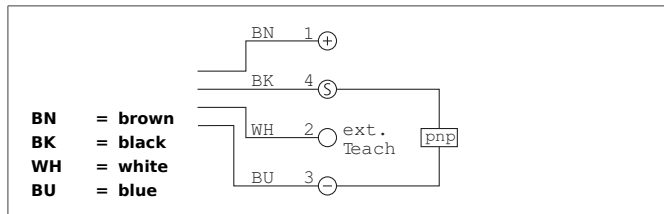
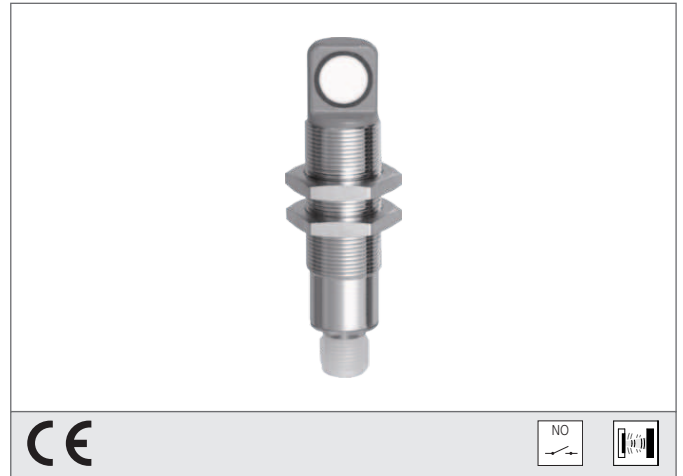


USCTI 18 MR 700 FPSK-BSL

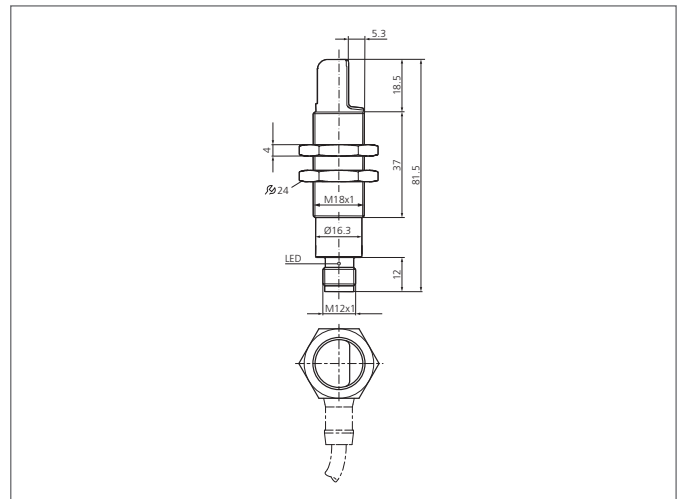
Ultrasonic Sensor

- Ultrasonic diffuser
- Sound outlet radial
- Scanning range adjustable via teach input
- Insensitive to dirt and ambient noise due to a large functional reserve
- Small blind zone
- Metal casing
- Small design
- High protection class



Safety instructions

The Instruments are not to be used for safety applications, in particular applications in which safety of persons depends on proper operation of the instruments.
 These instruments shall exclusively be used by qualified personnel.



TECHNICAL INFORMATION (typ.)	+20°C, 24V DC
Operating principle	Ultrasonic sensor
Evaluation	digital
Size	M18 x 1 (thread)
Design	screw
Standardized measuring plate	20 x 20 mm
Service voltage	20 ... 30 V DC
Internal power consumption	< 20 mA
Operating distance	100 ... 700 mm
Adjustment range	150 ... 700 mm
Sensitivity adjustment	Remote teach
Switching output	pnp, 150 mA, NO
Switching hysteresis	10 mm
Operating frequency	200.000 Hz
Switching frequency	< 5 Hz
Response-/release time	100 ms
Ambient temperature	-25 ... +70 °C
Insulation voltage endurance	500 V
Protection class	IP 67
Casing material	brass nickel plated
Material	PBTP (Crastin) (Transducer enclosure) epoxy resin (Transducer surface)
Connection	Connector, M12, 4-poled