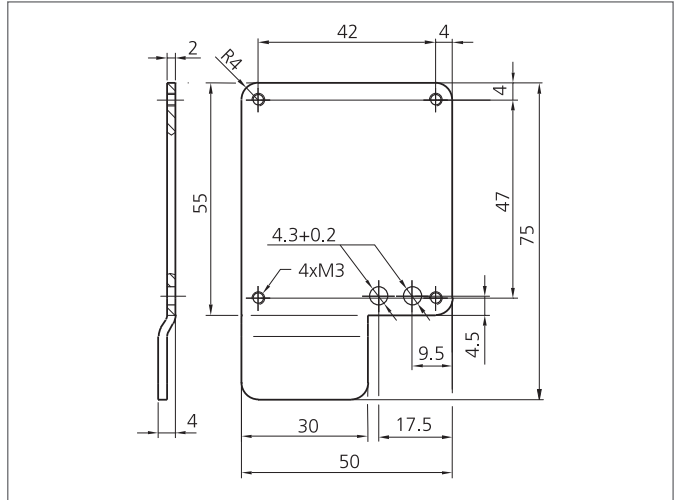
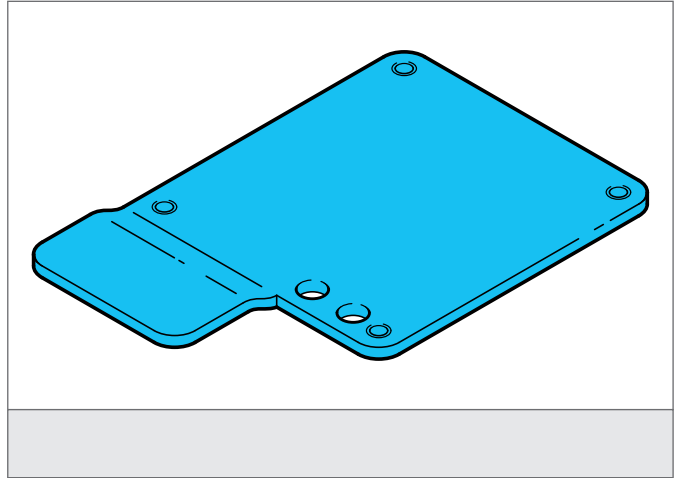


P-KUS 50
Baffle plate



TECHNICAL INFORMATION (typ.)

For

Casing material

+20°C, 24V DC

KUS 50 M 100 ...

Heat treatable steel (1.4305 / AISI 303)

Blank area with horizontal lines for technical notes or specifications.