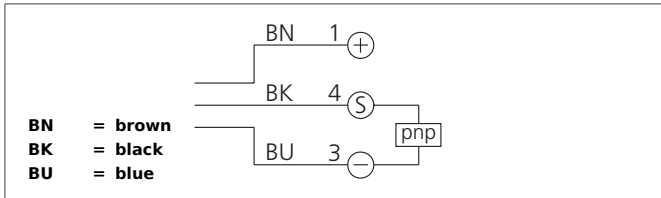


LGUP 081 P3K-TSSL

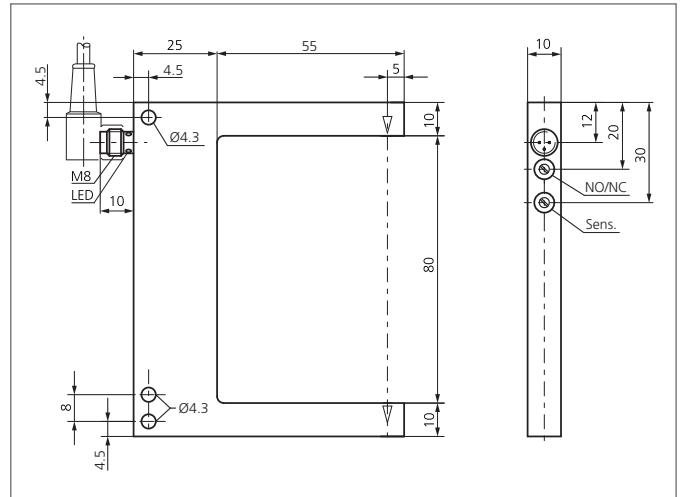
Laser Fork Light Barrier

- Resolution 0,2 mm
- Visible laser spot
- High operating frequency
- Light / dark switching
- Metal casing
- Laser class 1
- High protection class
- Extremely bright ring LED
- 5-year warranty



Safety instructions

Inproper use may result in hazardous radiation exposure. Pay attention to accident prevention rules and laser class. The instruments are not to be used for safety applications, in particular applications in which safety of persons depends on proper operation of the instruments. These instruments shall exclusively be used by qualified personnel.



| TECHNICAL INFORMATION (typ.) | +20°C, 24V DC |
|------------------------------|--|
| Operating principle | Optical |
| Evaluation | digital |
| Size | 100 x 80 x 10 mm (Dimensions) |
| Design | fork |
| Fork opening | 80 mm |
| Branch length | 55 mm |
| Emitted light | Red light laser, clocked |
| Laser class | 1 (IEC 60825-1) |
| Service voltage | 10 ... 35 V DC (Supply Class 2) |
| Internal power consumption | < 30 mA |
| Resolution | Ø 0,2 mm |
| Sensitivity adjustment | potentiometer |
| Switching output | pnp, 200 mA, NO/NC, switchable |
| Switching hysteresis | < 0,05 mm |
| Voltage drop | < 2,8 V |
| Switching frequency | 3.000 Hz |
| Reproducibility | 0,02 mm |
| Laser power | < 100 µW |
| Ambient temperature | 0 ... +50 °C |
| Ambient light immunity | 5 kLx |
| Insulation voltage endurance | 500 V |
| Protection class | IP 67 |
| Protection degree | III, operation on protective low voltage |

LGUP 081 P3K-TSSL

Laser Fork Light Barrier



TECHNICAL INFORMATION (typ.)

+20°C, 24V DC

Casing material

Die-cast zinc black lacquered finish

Connection

Connector, M8, 3-poled

Connecting cable

TK ...