

LGUP 121 P3K-TSSL

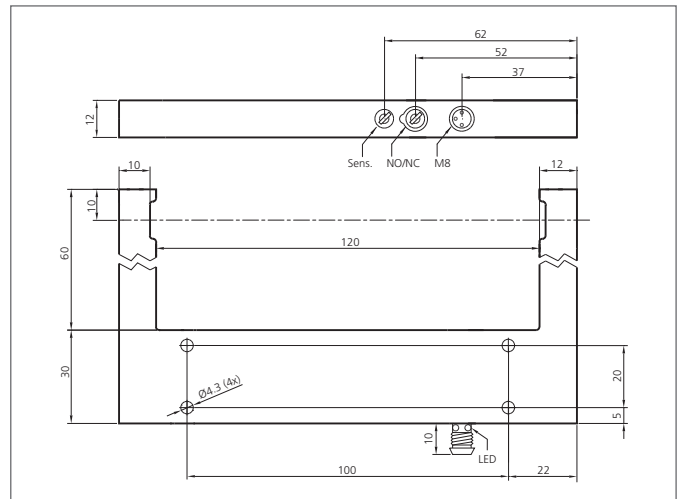
Laser Fork Light Barrier

- Resolution 0,2 mm
- Visible laser spot
- High operating frequency
- Light / dark switching
- Metal casing
- Laser class 1
- High protection class
- Extremely bright ring LED
- 5-year warranty



Safety instructions

Inproper use may result in hazardous radiation exposure. Pay attention to accident prevention rules and laser class. The instruments are not to be used for safety applications, in particular applications in which safety of persons depends on proper operation of the instruments. These instruments shall exclusively be used by qualified personnel.



TECHNICAL INFORMATION (typ.)		+20°C, 24V DC
Operating principle		Optical
Evaluation		digital
Size		144 x 90 x 12 mm (Dimensions)
Design		fork
Fork opening		120 mm
Branch length		60 mm
Emitted light		Red light laser, clocked
Laser class		1 (IEC 60825-1)
Service voltage		10 ... 35 V DC (Supply Class 2)
Internal power consumption		< 30 mA
Resolution		Ø 0,2 mm
Sensitivity adjustment		potentiometer
Switching output		pnp, 200 mA, NO/NC, switchable
Switching hysteresis		< 0,05 mm
Voltage drop		< 2,8 V
Switching frequency		3.000 Hz
Reproducibility		0,02 mm
Laser power		< 100 µW
Ambient temperature		0 ... +50 °C
Ambient light immunity		5 kLx
Insulation voltage endurance		500 V
Protection class		IP 67
Protection degree		III, operation on protective low voltage

LGUP 121 P3K-TSSL

Laser Fork Light Barrier



TECHNICAL INFORMATION (typ.)

+20°C, 24V DC

Casing material

Die-cast zinc black lacquered finish

Connection

Connector, M8, 3-poled

Connecting cable

TK ...