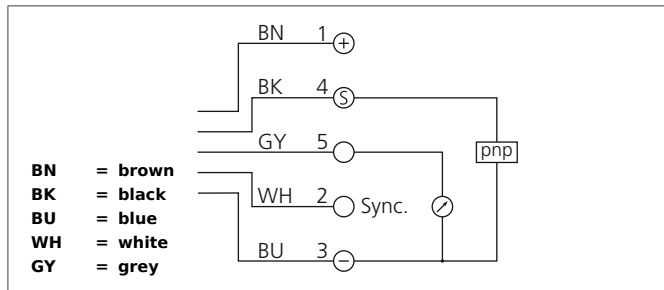
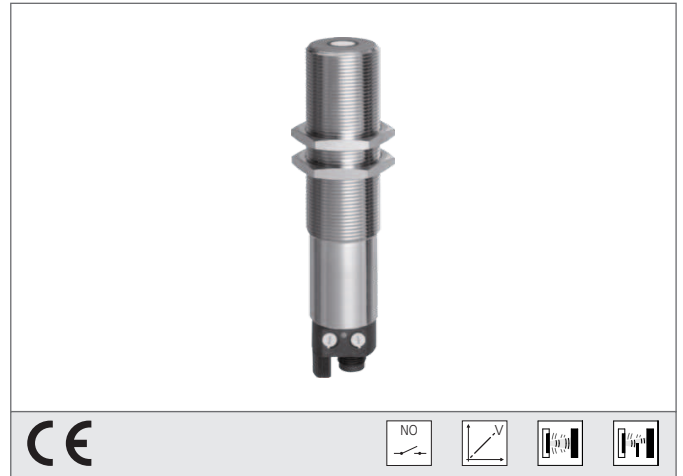


USC 30 M 300 I0/10PSK-BSL

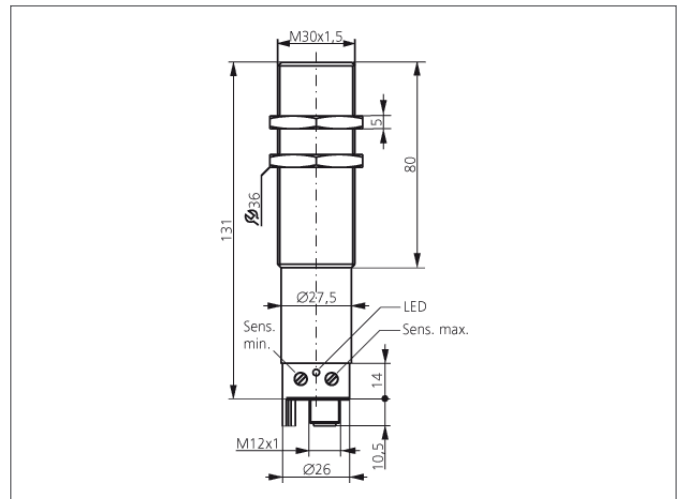
Ultrasonic Sensor

- Integrated temperature compensation
- Operating mode ultrasonic diffuser or ultrasonic barrier settable via PC sensor interface (not included)
- Switching output and analog output
- Synchronisation/release input
- Scanning range adjustable via potentiometer or PC sensor interface
- Insensitive to dirt and ambient noise
- Metal casing
- High protection class



Safety instructions

The Instruments are not to be used for safety applications, in particular applications in which safety of persons depends on proper operation of the instruments.
These instruments shall exclusively be used by qualified personnel.



TECHNICAL INFORMATION (typ.)		+20°C, 24V DC
Operating principle		Ultrasonic sensor, Ultrasonic barrier
Evaluation		digital, analog
Size		M30 x 1,5 (thread)
Design		screw
Standardized measuring plate		10 x 10 mm
Service voltage		12 ... 30 V DC
Internal power consumption		< 60 mA
Operating distance		60 ... 300 mm
Adjustment range		80 ... 300 mm
Sensitivity adjustment		potentiometer
Switching output		pnp, 300 mA, NO + analog
Analog output		0 ... 10 V, Load / < 2000 Ω
Operating frequency		400.000 Hz
Switching frequency		< 5 Hz
Accuracy		1,5 %
Response-/release time		0,1 s
Reproducibility		0,45 mm
Ambient temperature		-25 ... +70 °C
Insulation voltage endurance		500 V
Protection class		IP 65
Casing material		brass nickel plated
Material		PBTP (Crastin) (Transducer enclosure) epoxy resin (Transducer surface)

USC 30 M 300 I0/10PSK-BSL
Ultrasonic Sensor



TECHNICAL INFORMATION (typ.)

Connection

+20°C, 24V DC

Connector, M12, 5-poled