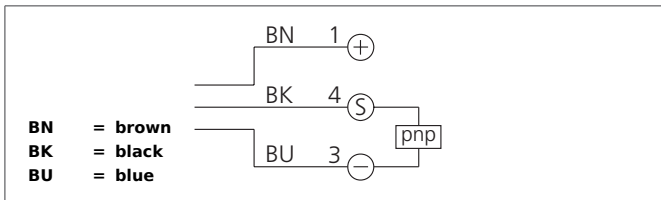


OTV 50 M 1200 P3K-IBS

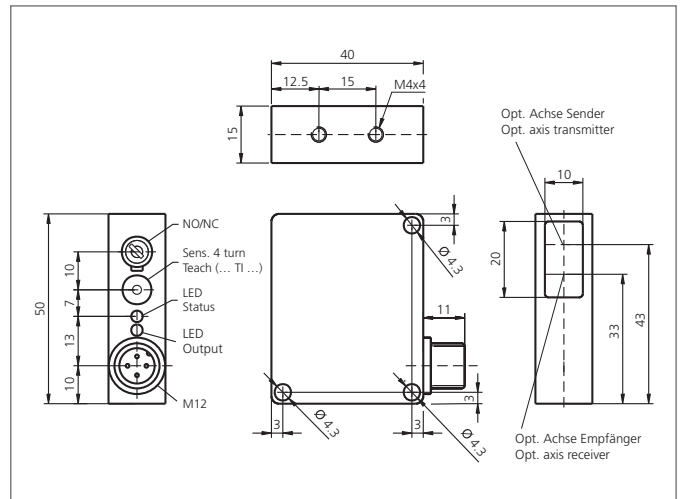
Diffuse Sensor

- Infrared light
- 4-turn potentiometer
- Bright LED
- Dark-/light switching, push-pull
- Functional reserve indicator/contamination indicator
- Robust metal casing



Safety instructions

The Instruments are not to be used for safety applications, in particular applications in which safety of persons depends on proper operation of the instruments.
 These instruments shall exclusively be used by qualified personnel.



TECHNICAL INFORMATION (typ.)	+20°C, 24V DC
Operating principle	Diffuse reflective sensor
Evaluation	digital
Size	50 x 40 x 15 mm (Dimensions)
Design	cuboid design
Emitted light	Infrared, 880 nm, clocked
Standardized measuring plate	200 x 200 mm, white 90 % reflexion
Service voltage	10 ... 35 V DC
Internal power consumption	< 45 mA
background suppression	no
Operating distance	50 ... 1.200 mm
Sensitivity adjustment	potentiometer
Switching output	pnp, 200 mA, NO/NC, switchable
Switching hysteresis	< 12 %
Voltage drop	< 2,0 V
Switching frequency	1.000 Hz
Reproducibility	< 1 %
Ambient temperature	-10 ... +60 °C
Ambient light immunity	10 kLx
Insulation voltage endurance	500 V
Protection class	IP 67
Protection degree	III, operation on protective low voltage
Casing material	Die-cast zinc black lacquered finish
Material	polymethyl methacrylate (Window)

OTV 50 M 1200 P3K-IBS
Diffuse Sensor



TECHNICAL INFORMATION (typ.)

Connection

+20°C, 24V DC

Connector, M12, 3-poled